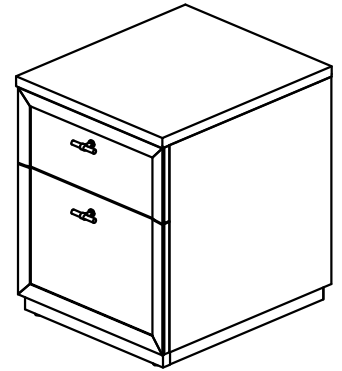


Made In Vietnam



83034
File Cabinet

Warning :

- Be sure to check all packing material carefully for small parts, which may have come loose inside the carton during shipment.
- To prevent possible scratches and damage, this furniture must be assembled on a soft surface such as a blanket or carpet.

Important Use Information: We recommend using coasters, placemats and trivets when placing hot or cold containers on this item. It is also recommended to quickly cleanup any spills to minimize exposure to moisture. Doing so will prolong the life and look of the item for many years.

Components and Hardware List

Wrench 17mm



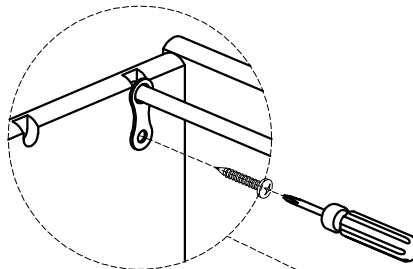
1 Pc.

Phillips Screw driver
(Not provided)

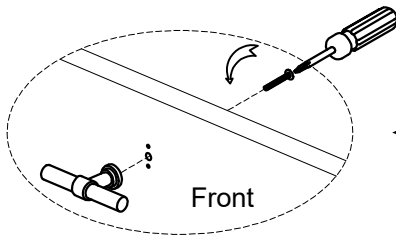


(A)

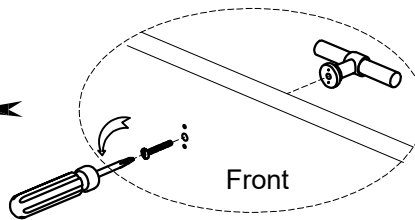
Step 1:



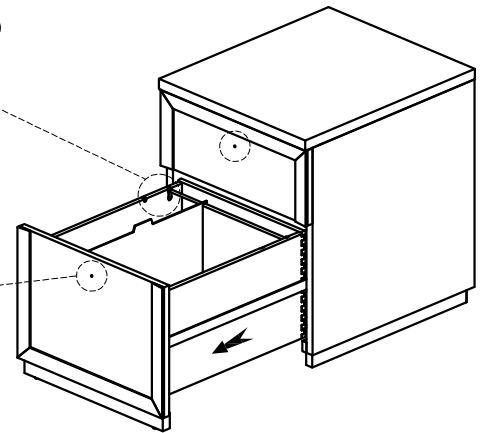
Unscrew to adjust
the file rod



Reattach Handle to front
of drawer

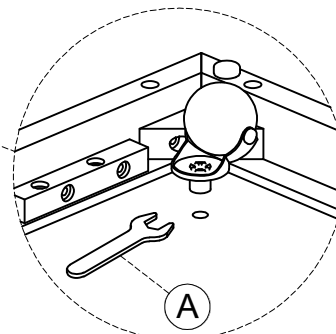
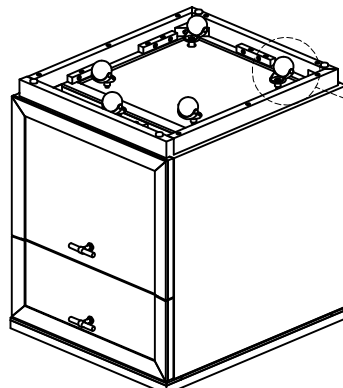


Remove Handle from
inside drawer



Step 2:

Note: Use Wrench (A) to remove the casters if you don't want to use.



Note: The casters provide an element of convenient mobility, however, to prevent possible damage to some types of flooring, never roll casters on unprotected hardwood or vinyl flooring.