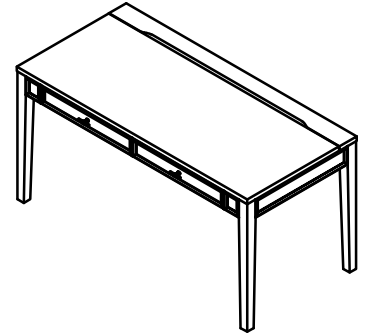


Warning :

- Be sure to check all packing material carefully for small parts, which may have come loose inside the carton during shipment.
- To prevent possible scratches and damage, this furniture **MUST BE ASSEMBLED BY TWO PEOPLE** on a soft surface such as a blanket or carpet.



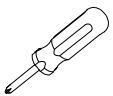
83031
Writing Desk

Important Use Information: We recommend using coasters, placemats and trivets when placing hot or cold containers on this item. It is also recommended to quickly cleanup any spills to minimize exposure to moisture. Doing so will prolong the life and look of the item for many years.

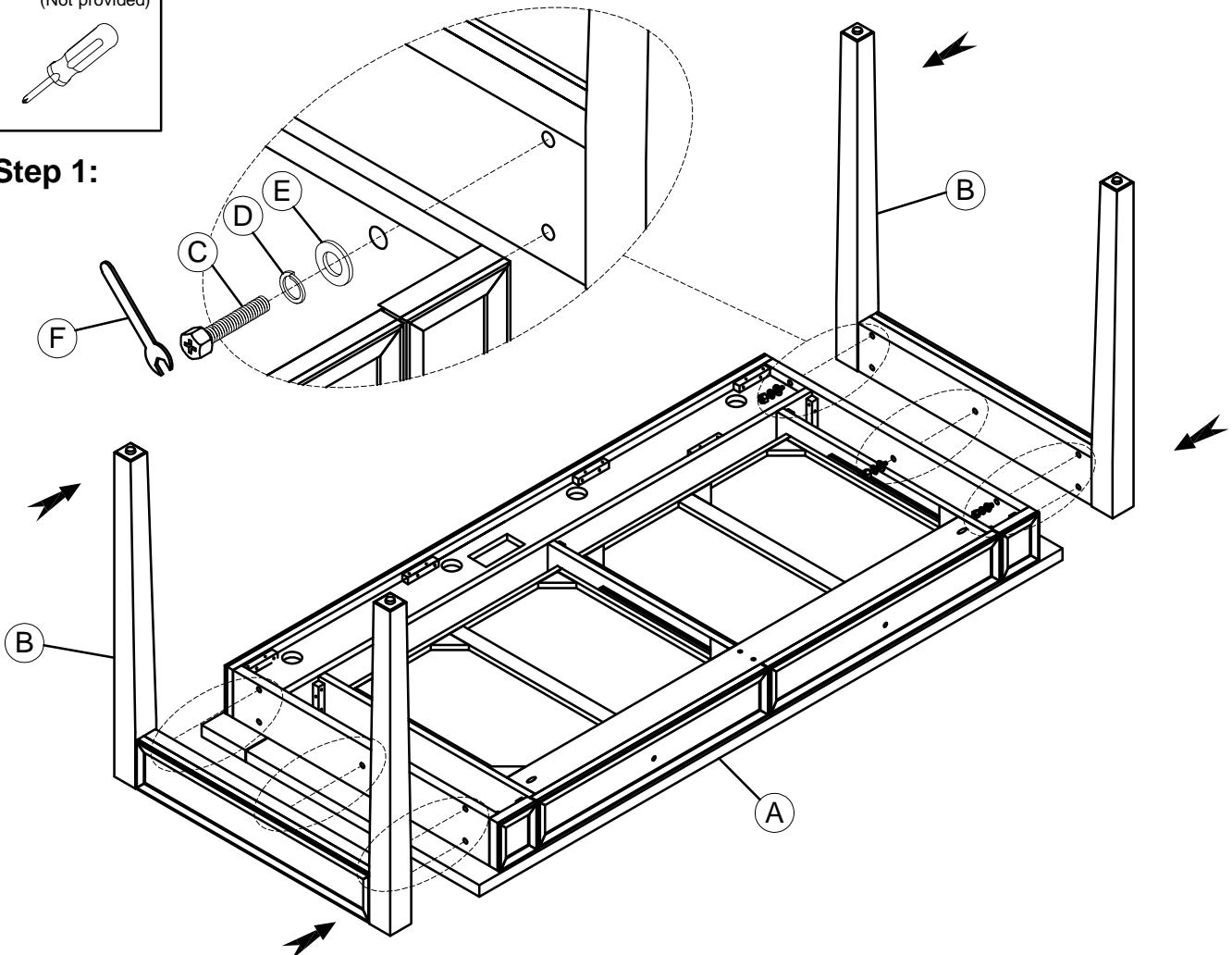
Components and Hardware List

<p>Desk Top</p> <p>A 1 pc.</p>	<p>Leg Assembly</p> <p>B 2 pcs.</p>	<p>Hex Head Bolt Ø5/16"-18 x 1-11/16"</p> <p>C 10 pcs.</p>	<p>Spring Washer Ø5/16"</p> <p>D 10 pcs.</p>	<p>Flat Washer Ø5/16" x 5/8"</p> <p>E 10 pcs.</p>	<p>Wrench Ø5/16"</p> <p>F 1 pc.</p>	<p>Tipping Restraint Kit</p> <p>G 1 set.</p>
---------------------------------------	--	---	---	--	--	---

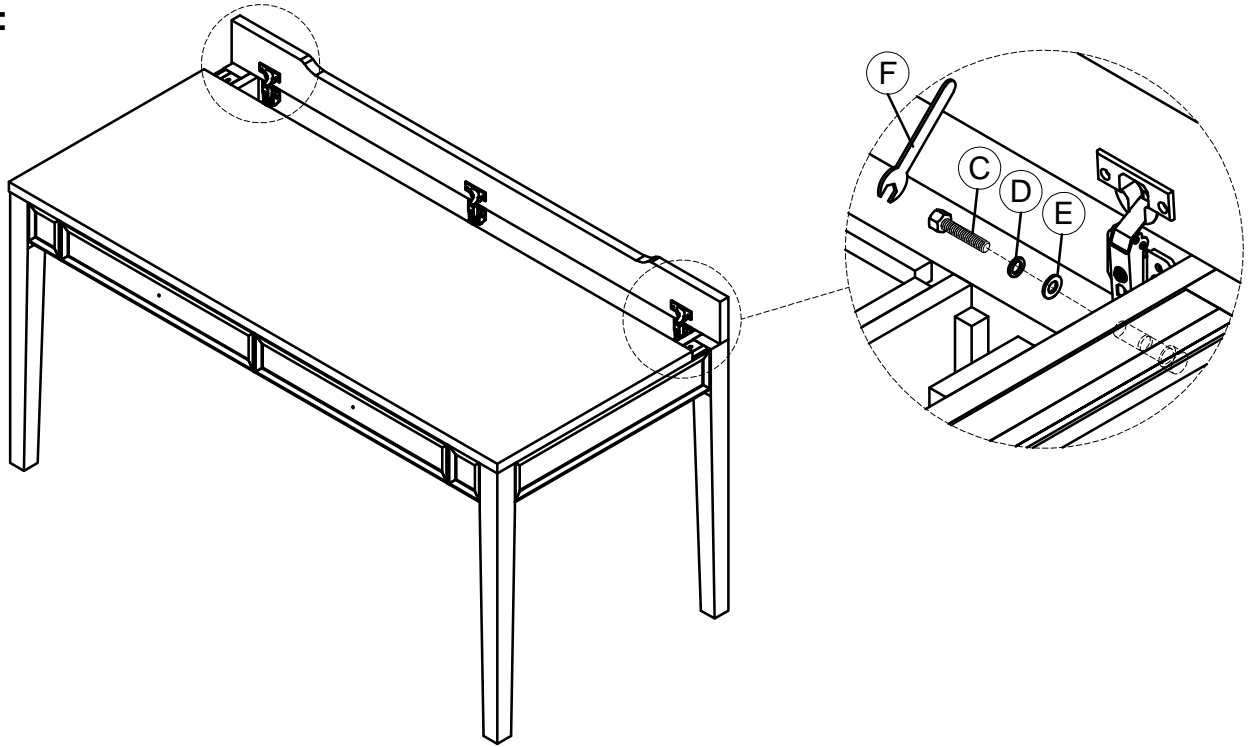
Phillips Screw driver
(Not provided)



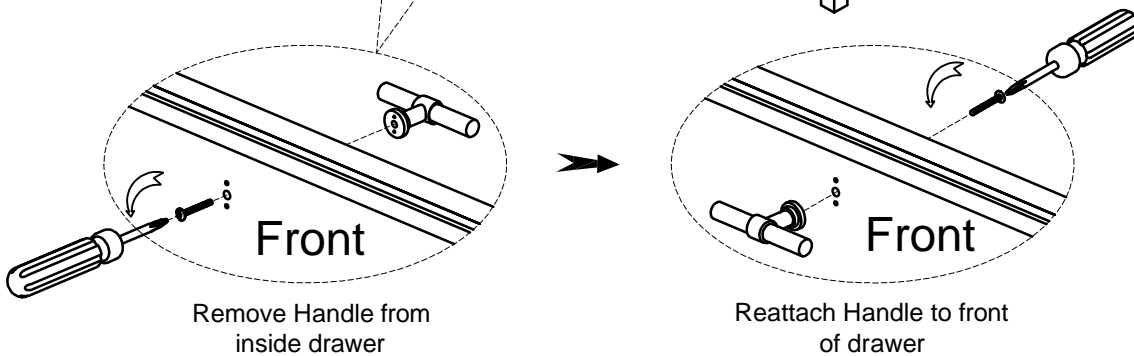
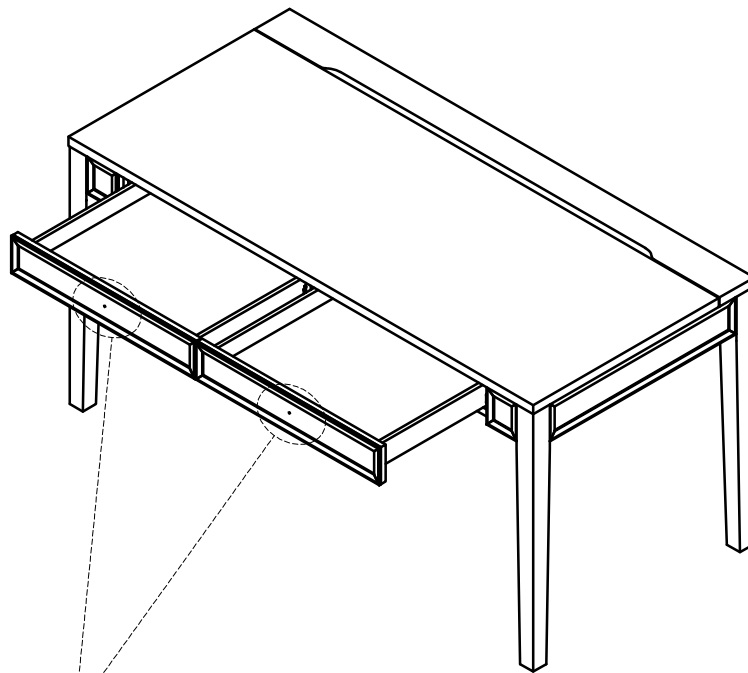
Step 1:



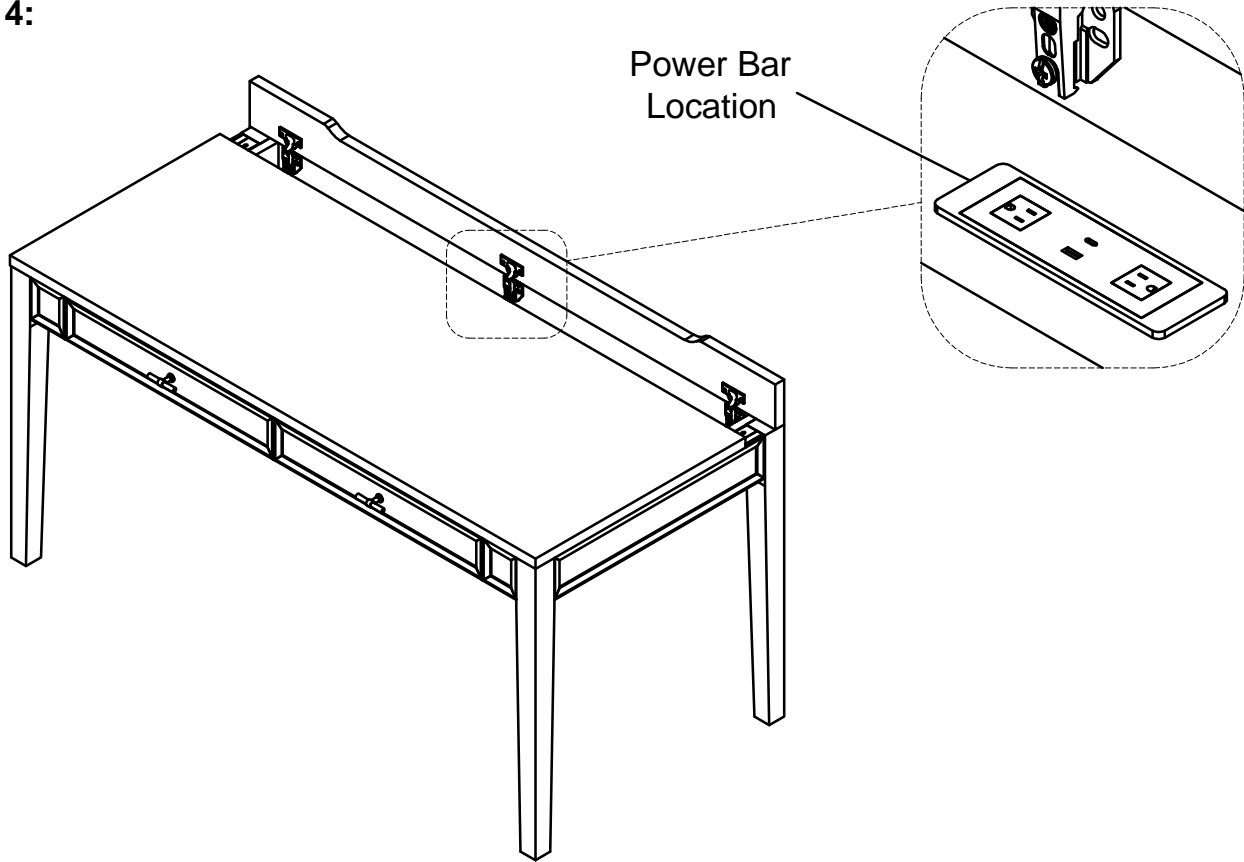
Step 2:



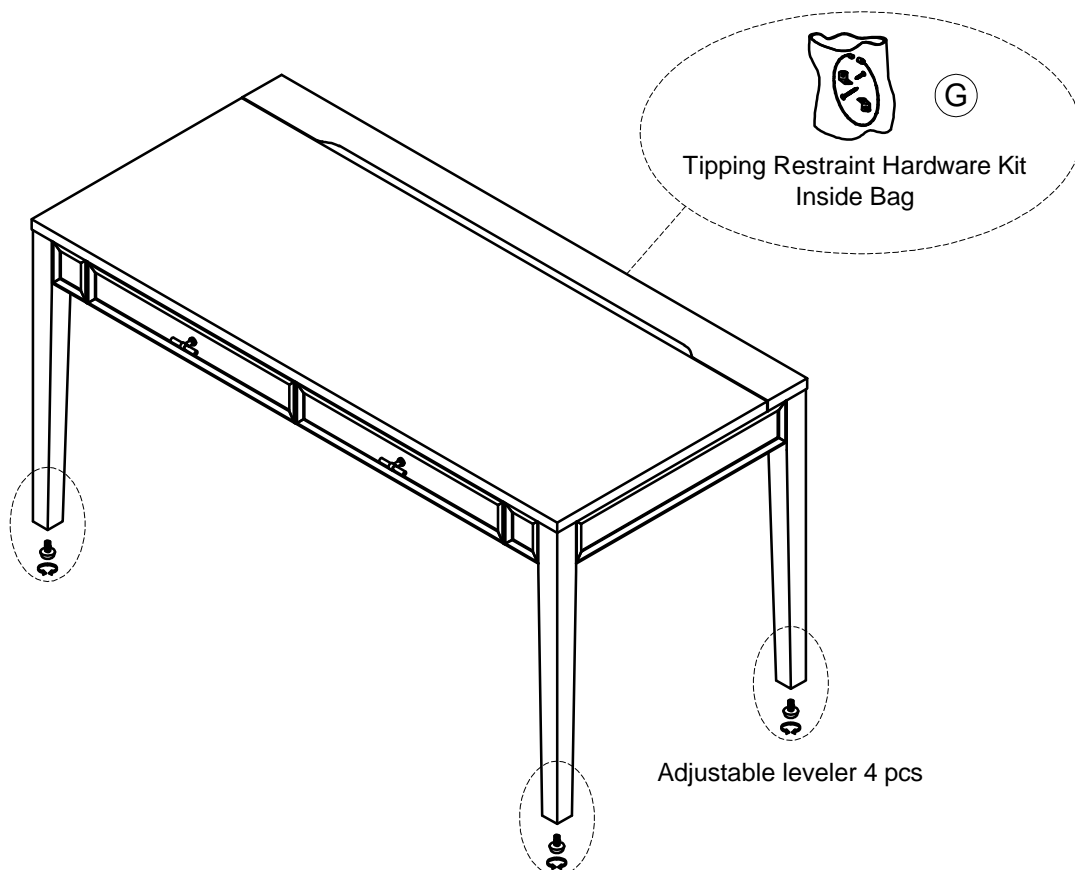
Step 3:



Step 4:



Step 5:



For product and personal safety, a Furniture Tipping Restraint kit has been included with this unit which can help to minimize the risk of the unit accidentally tipping forward, if used and properly installed per the manufacturer's instructions.