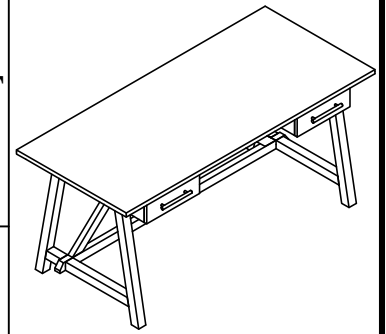


Warning :

- Be sure to check all packing material carefully for small parts, which may have come loose inside the carton during shipment.
- To prevent possible scratches and damage, this furniture **MUST BE ASSEMBLED BY TWO PEOPLE** on a soft surface such as a blanket or carpet.



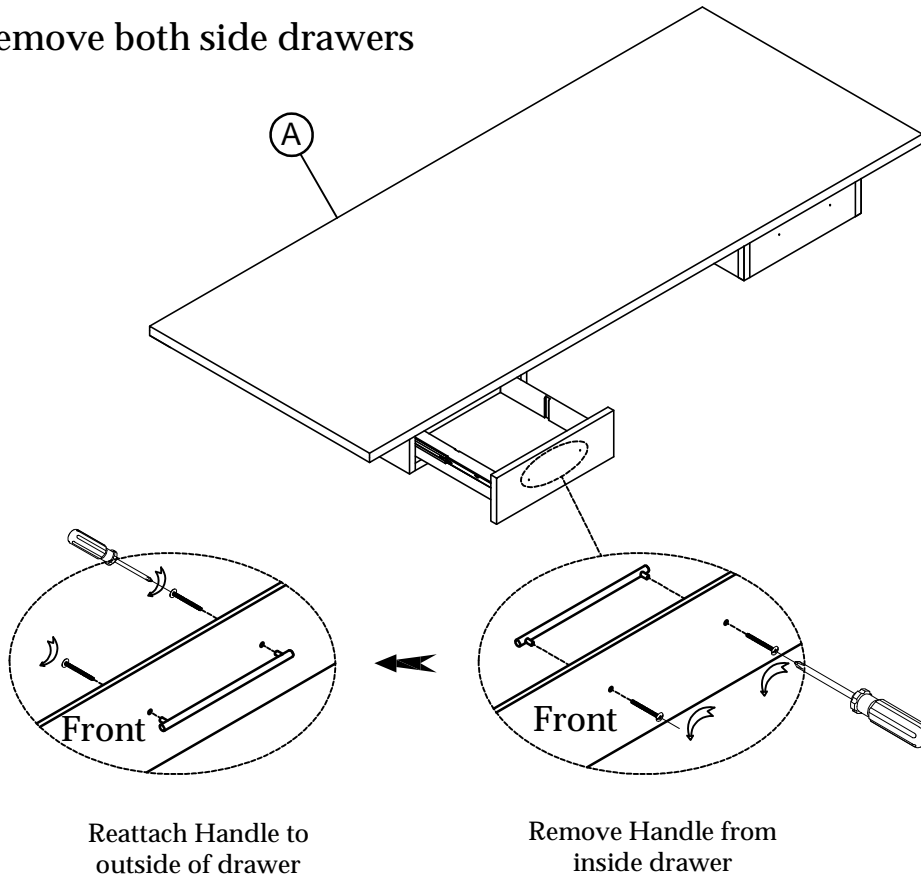
#61731
Writing Desk

Important Use Information: We recommend using coasters, placemats and trivets when placing hot or cold containers on this item. It is also recommended to quickly cleanup any spills to minimize exposure to moisture. Doing so will prolong the life and look of the item for many years.

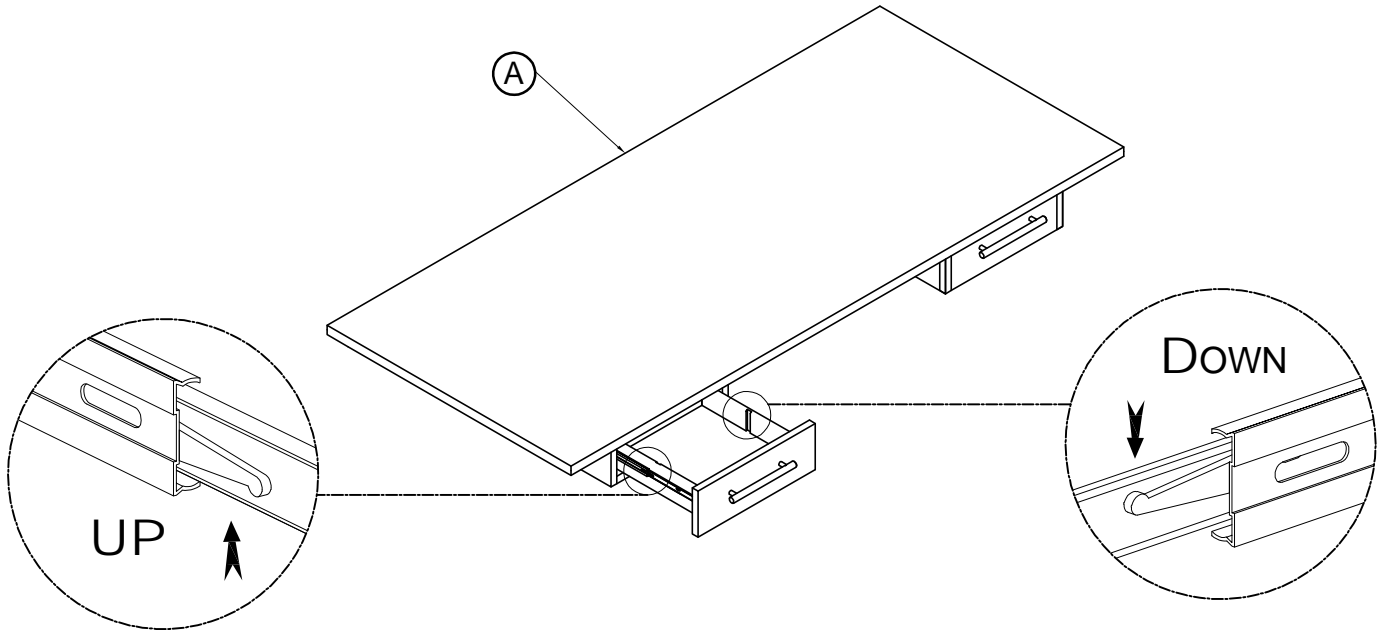
Components and Hardware List

<p>Table Top</p> <p>(A) 1 pc.</p>	<p>Leg Assembly (Left)</p> <p>(B) 1 pc.</p>	<p>Leg Assembly (Right)</p> <p>(C) 1 pc.</p>	<p>Cross Brace</p> <p>(D) 2 pcs.</p>	<p>Stretcher</p> <p>(E) 1 pc.</p>	<p>Removable Drawer Divider</p> <p>(F) 3 pcs.</p>	<p>Allen Head Bolt Ø5/16-18 x 2-1/8"</p> <p>(G) 2 pcs.</p>
<p>Allen Head Bolt Ø5/16-18 x 1-3/8"</p> <p>(H) 10 pcs.</p>	<p>Spring Washer 5/16"</p> <p>(I) 12 pcs.</p>	<p>Flat Washer 5/16" x 19 x 2mm</p> <p>(J) 12 pcs.</p>	<p>Allen Key 4mm</p> <p>(K) 1 pc.</p>	<p>Furniture tipping restraint kit</p> <p>(L) 1 pc.</p>	<p>Screw Driver (not included)</p>	

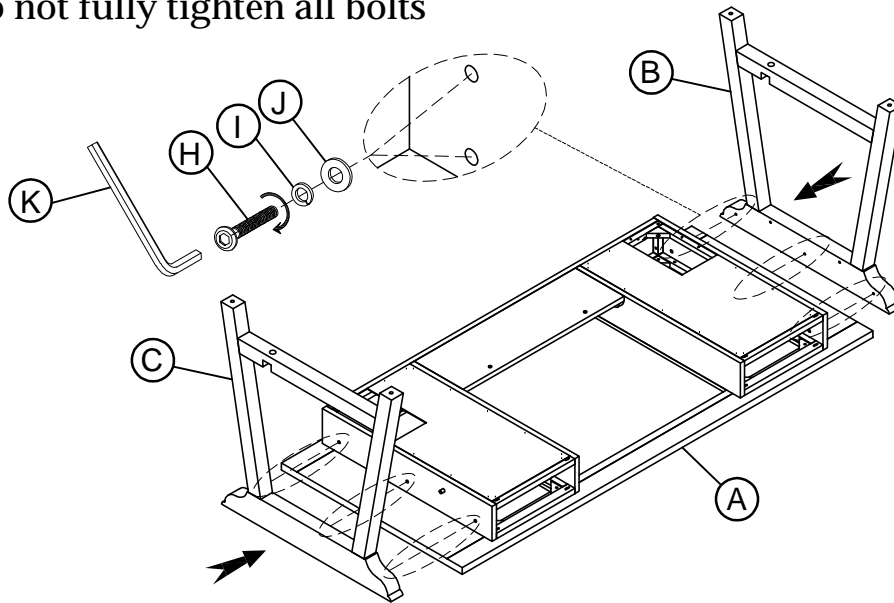
Step 1 : Remove both side drawers



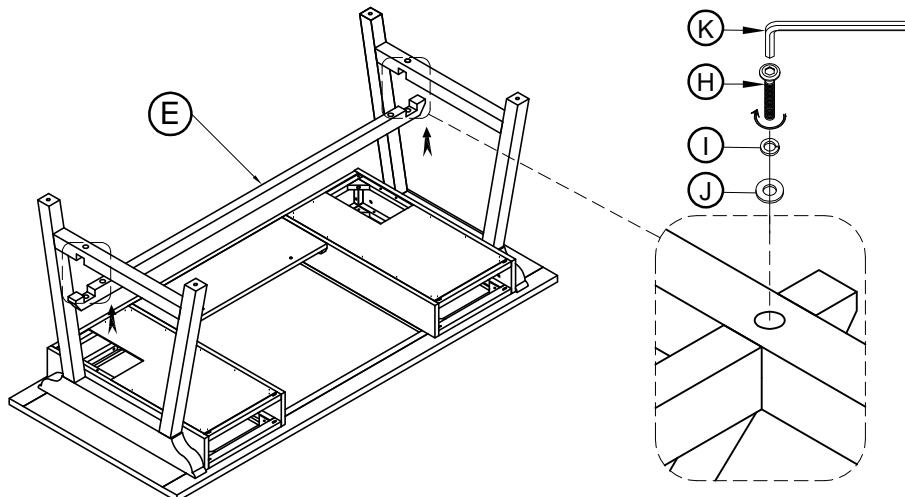
Step 2



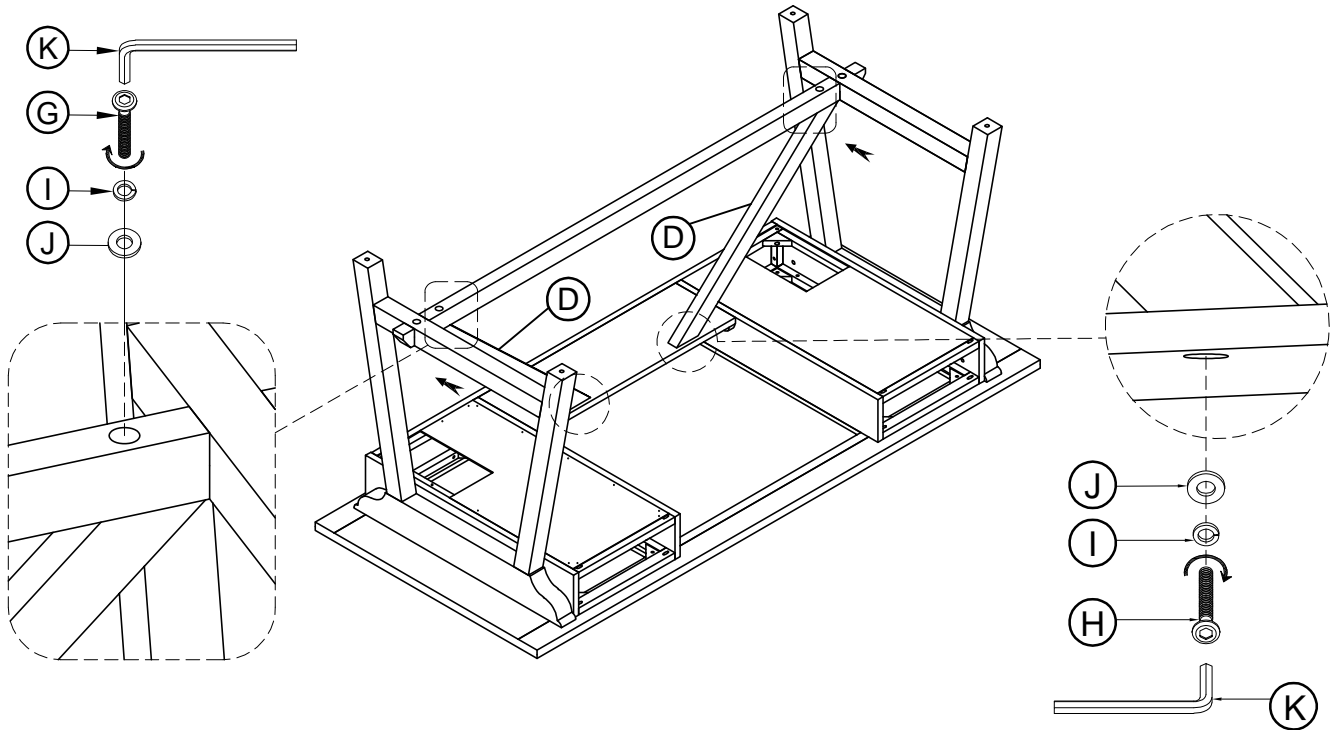
Step 3 : Do not fully tighten all bolts



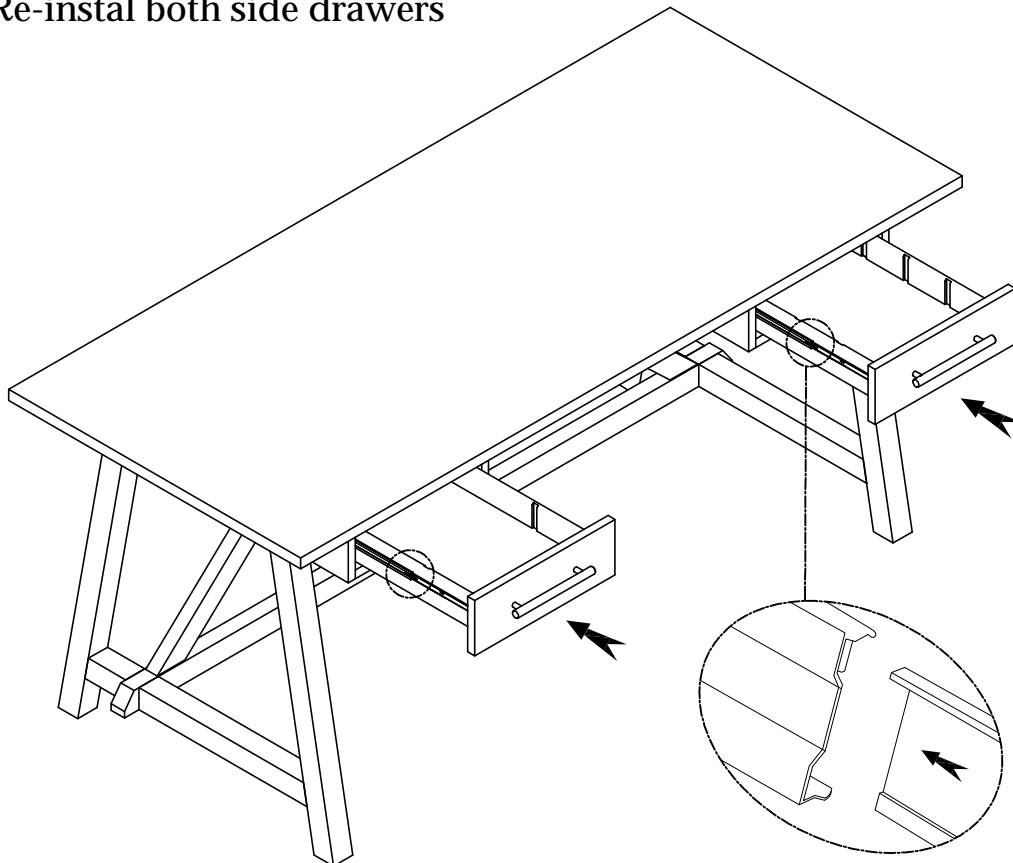
Step 4



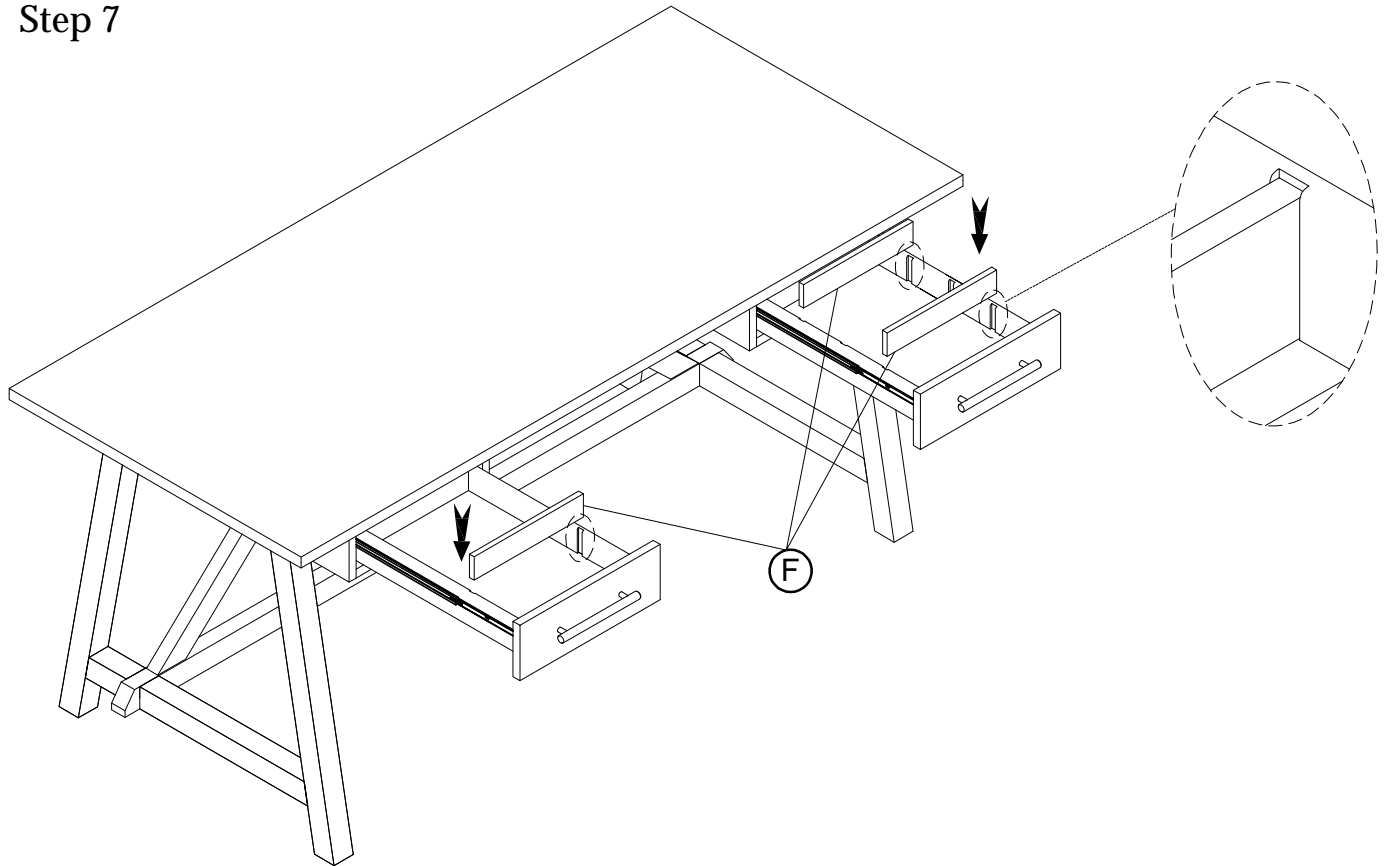
Step 5 : Using the Allen Key to tighten all bolts



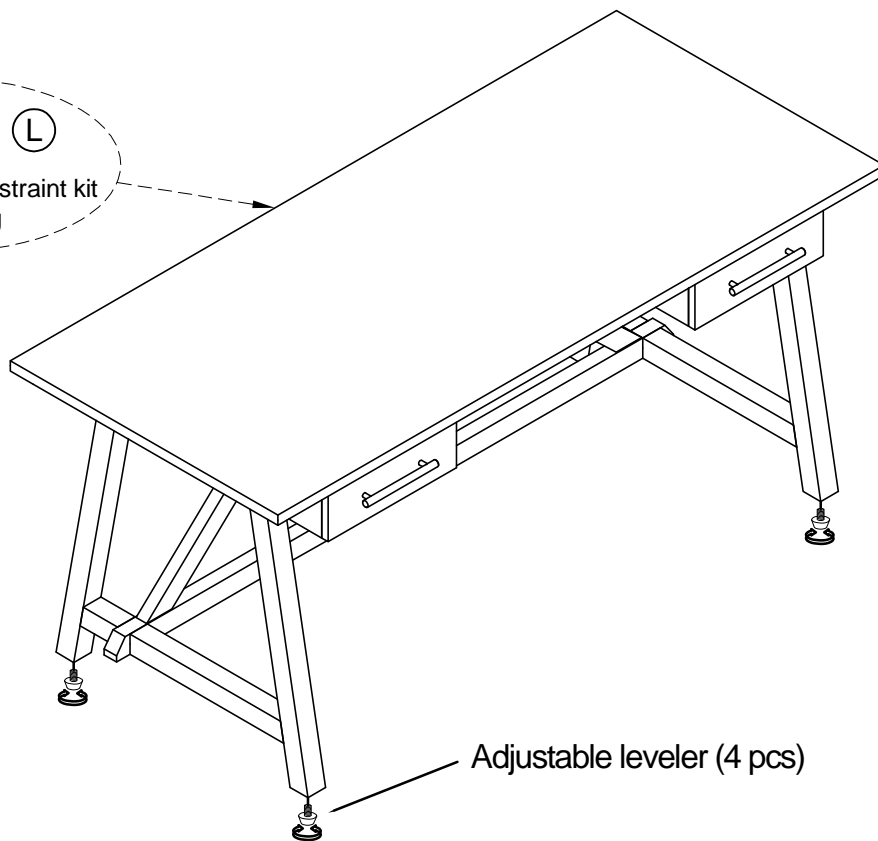
Step 6 : Re-instal both side drawers



Step 7



Step 8



For product and personal safety, a Furniture Tipping Restraint kit has been included with this unit which can help to minimize the risk of the unit accidentally tipping forward, if used and properly installed per the manufacturer's instructions.