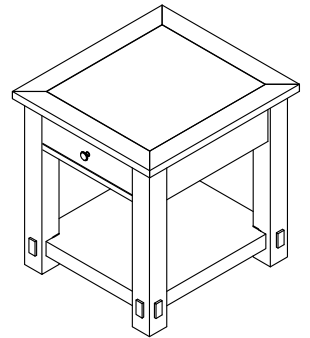


Warning :

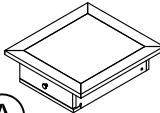
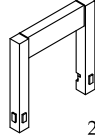
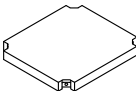
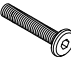


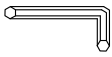
- Be sure to check all packing material carefully for small parts, which may have come loose inside the carton during shipment.
- To prevent possible scratches and damage, this furniture must be assembled on a soft surface such as a blanket or carpet.



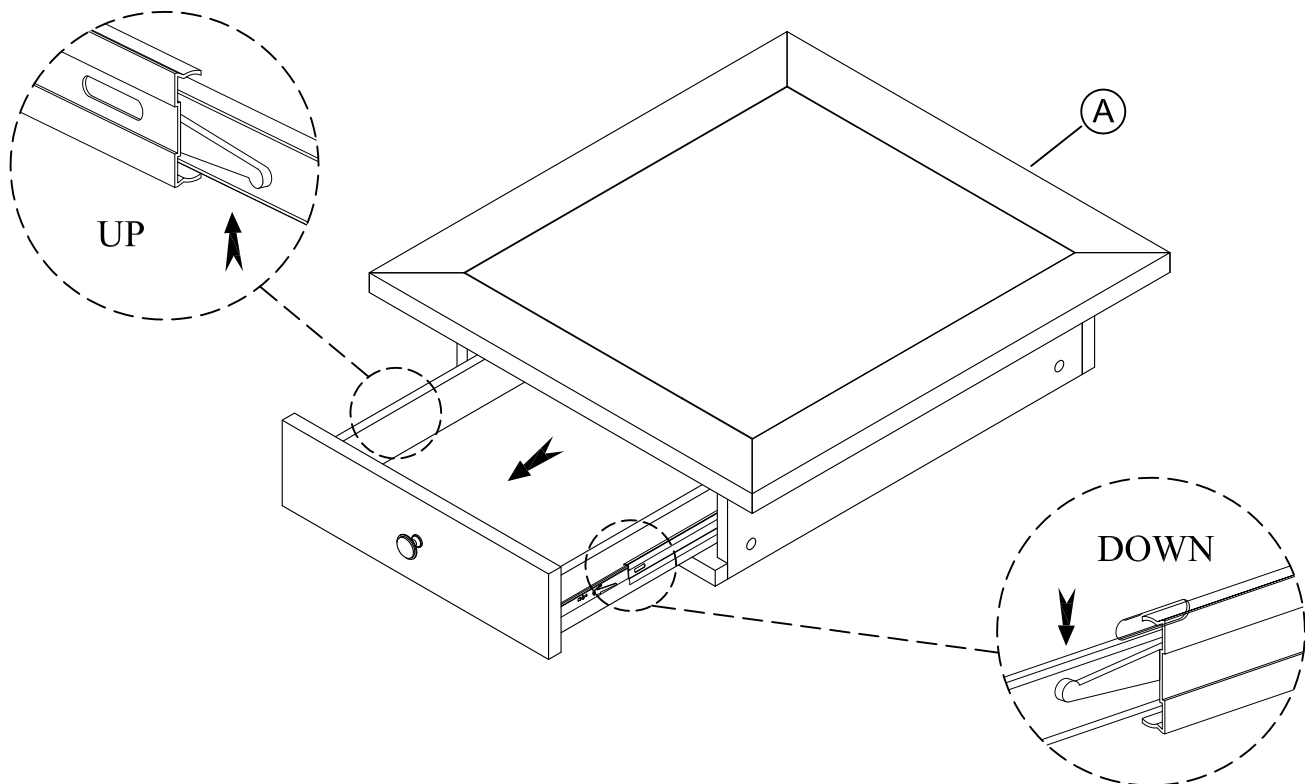
#48809 End Table

Important Use Information: We recommend using coasters, placemats and trivets when placing hot or cold containers on this item. It is also recommended to quickly cleanup any spills to minimize exposure to moisture. Doing so will prolong the life and look of the item for many years.

Components and Hardware List

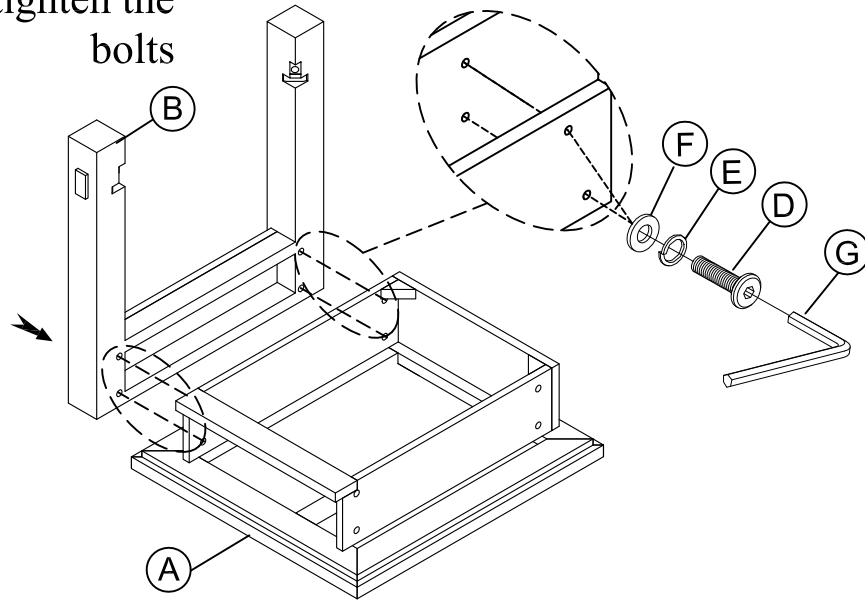
Top Assembly	Leg Frame	Shelf	Allen Head Bolt Ø5/16"-18 x 2"	Spring Washer Ø5/16"	Flat Washer Ø5/16" x 3/4"	Allen Key 4 mm
 1 pc.	 2 pcs.	 1 pc.	 12 pcs.	 12 pcs.	 12 pcs.	 1 pc.

Step 1 : Remove Drawer



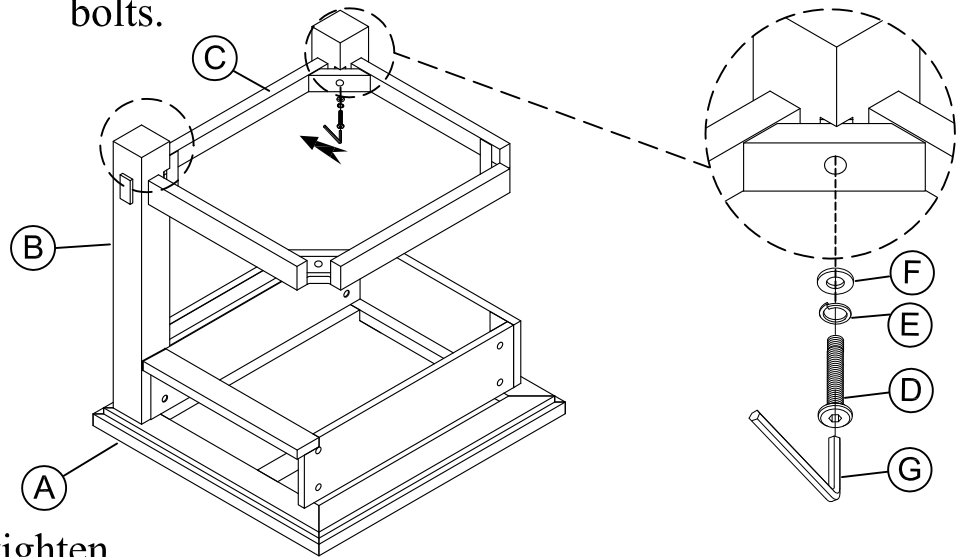
Step 2 : Do not fully tighten the

bolts



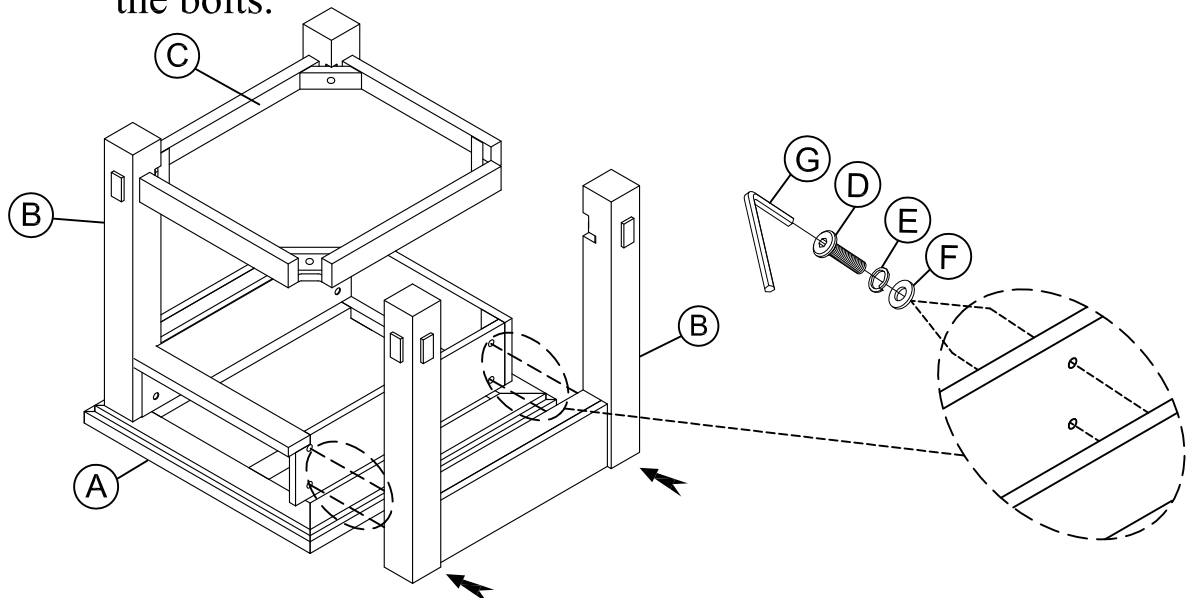
Step 3 : Do not fully tighten the

bolts.

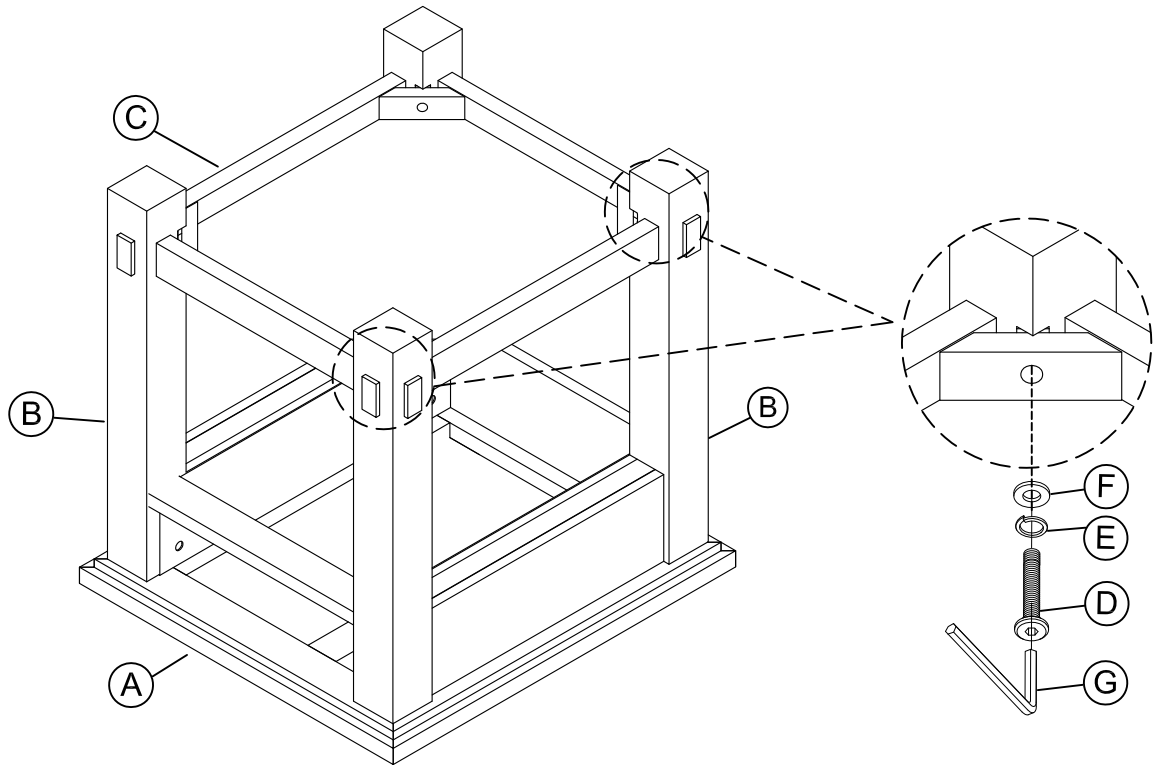


Step 4 : Do not fully tighten

the bolts.



Step 5 : Tighten all the bolts.



Step 6 : Re-attach Drawer.

