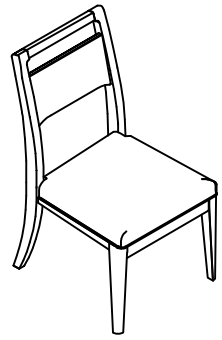


### Warning :


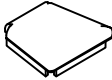
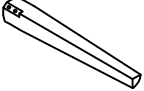






- Be sure to check all packing material carefully for small parts, which may have come loose inside the carton during shipment.
- To prevent possible scratches and damage, this furniture must be assembled on a soft surface such as a blanket or carpet.



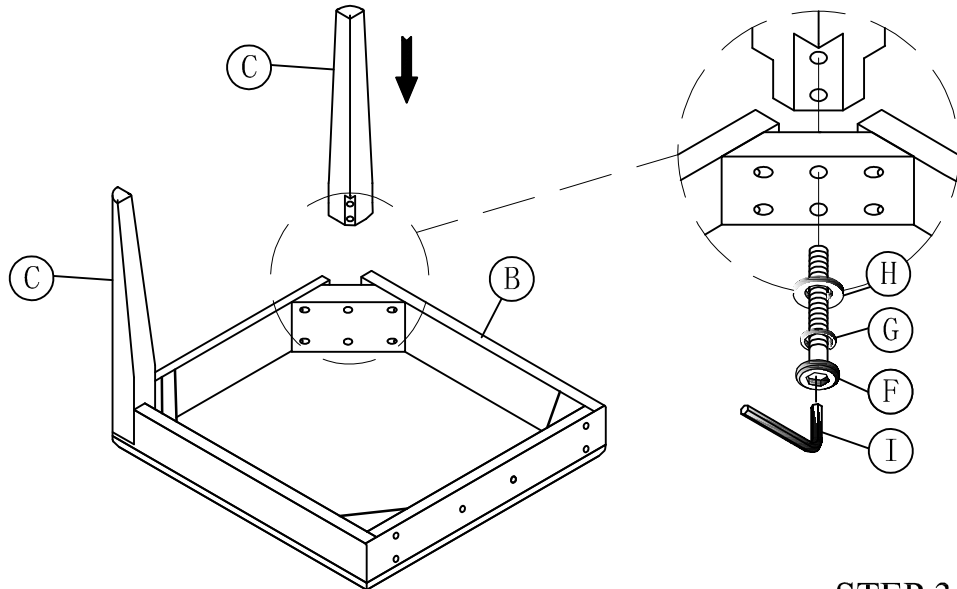
43457

Wood Back Side Chair 2in

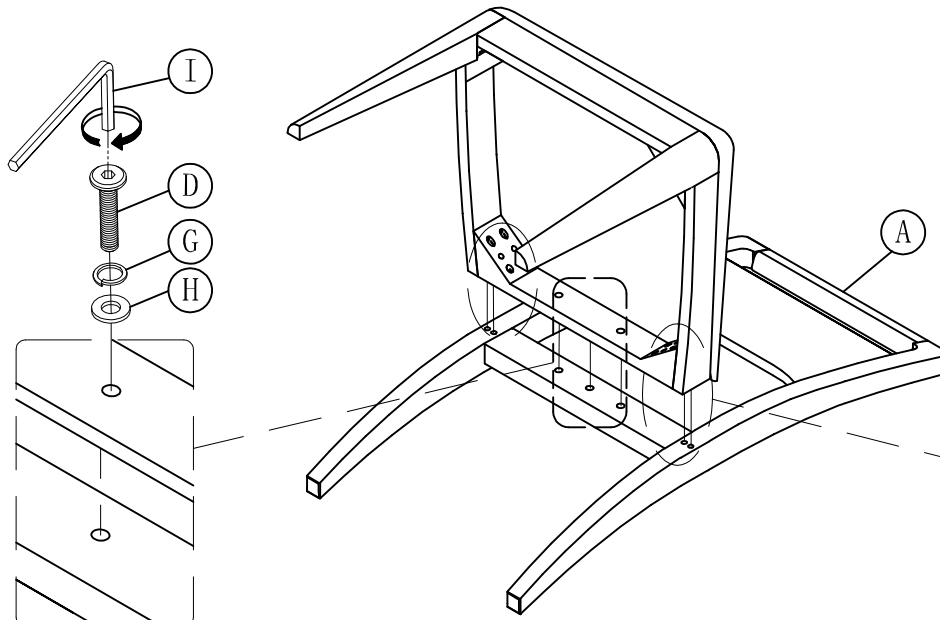
### Components and Hardware List

<p>Chair Back</p>  <p>(A) 1 pc.</p>	<p>Seat Cushion</p>  <p>(B) 1 pc.</p>	<p>Front Leg</p>  <p>(C) 2 pcs.</p>	<p>Allen Head Bolt Ø5/16"- 18 x 1-3/4"</p>  <p>(D) 2 pcs.</p>	
<p>Allen Head Bolt Ø5/16"-18 x 2-15/16"</p>  <p>(E) 4 pcs.</p>	<p>Allen Head Bolt Ø5/16"-18 x 2-3/16"</p>  <p>(F) 4 pcs.</p>	<p>Spring Washer Ø5/16"x Ø13</p>  <p>(G) 10 pcs.</p>	<p>Flat Washer Ø5/16"x Ø19</p>  <p>(H) 10 pcs.</p>	<p>Allen Key 4mm</p>  <p>(I) 1 pc.</p>

### STEP 1



### STEP 2



### STEP 3

