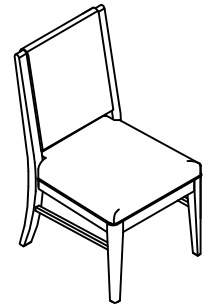


Warning :

- Be sure to check all packing material carefully for small parts, which may have come loose inside the carton during shipment.
- To prevent possible scratches and damage, this furniture must be assembled on a soft surface such as a blanket or carpet.



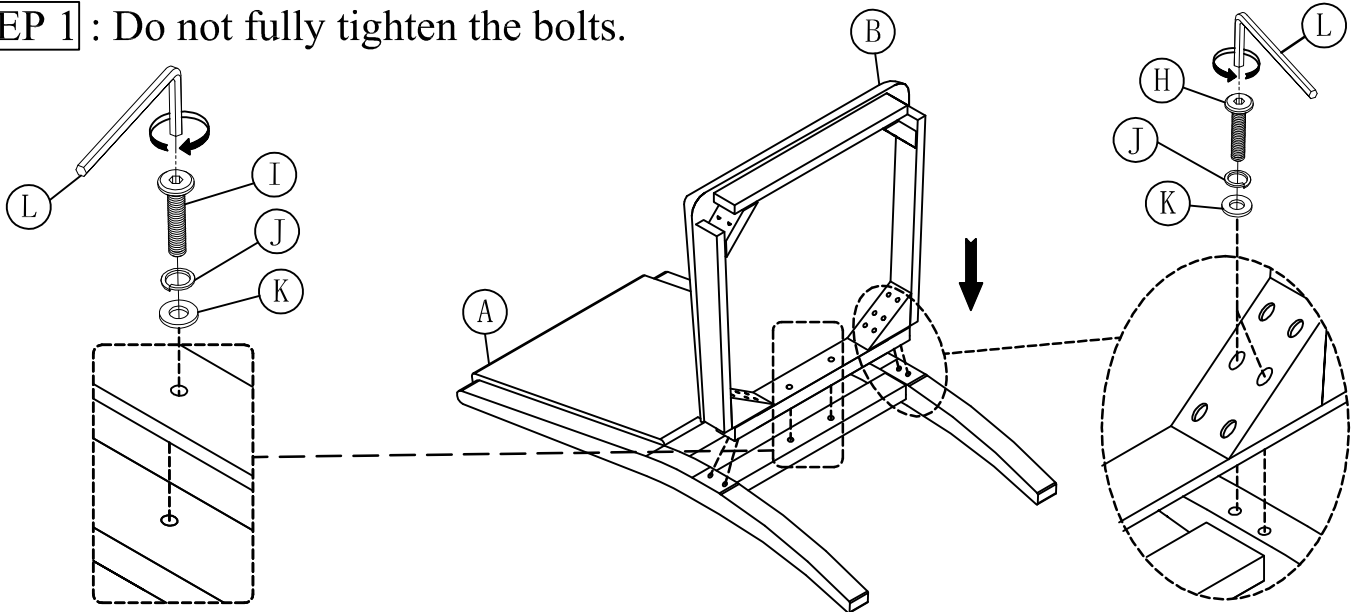
Components and Hardware List

<p>Chair Back</p> <p>(A) 1 pc.</p>	<p>Seat Cushion</p> <p>(B) 1 pc.</p>	<p>Left Leg</p> <p>(C) 1 pc.</p>	<p>Right Leg</p> <p>(D) 1 pc.</p>	<p>Side Stretcher (Right)</p> <p>(E) 1 pc.</p>				
<p>Side Stretcher (Left)</p> <p>(F) 1 pc.</p>	<p>Ø5/16"- 18 x 2-3/16" Allen Head Bolt</p> <p>(G) 4 pcs.</p>	<p>Ø5/16"- 18 x 2-15/16" Allen Head Bolt</p> <p>(H) 4 pcs.</p>	<p>Ø5/16"- 18 x 1-9/16" Allen Head Bolt</p> <p>(I) 2 pcs.</p>	<p>Ø5/16"x Ø13 Spring Washer</p> <p>(J) 10 pcs.</p>	<p>Ø5/16"x Ø19 Flat Washer</p> <p>(K) 10 pcs.</p>	<p>Allen Key 4mm</p> <p>(L) 1 pc.</p>	<p>#4 x 1-1/2" Wood Screw</p> <p>(M) 4 pcs.</p>	<p>Screw Driver not included</p>

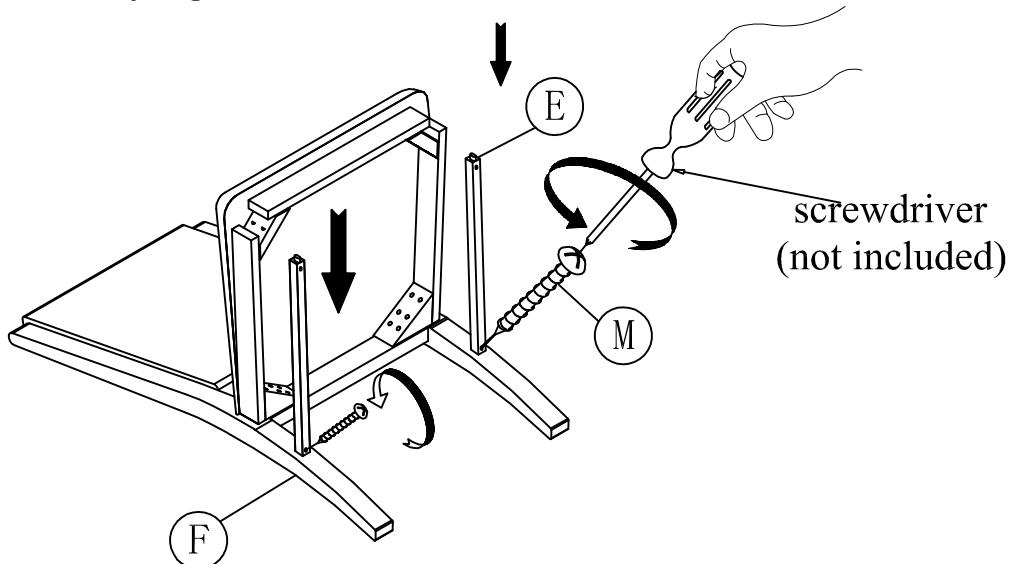
42558

Upholstered Side Chair

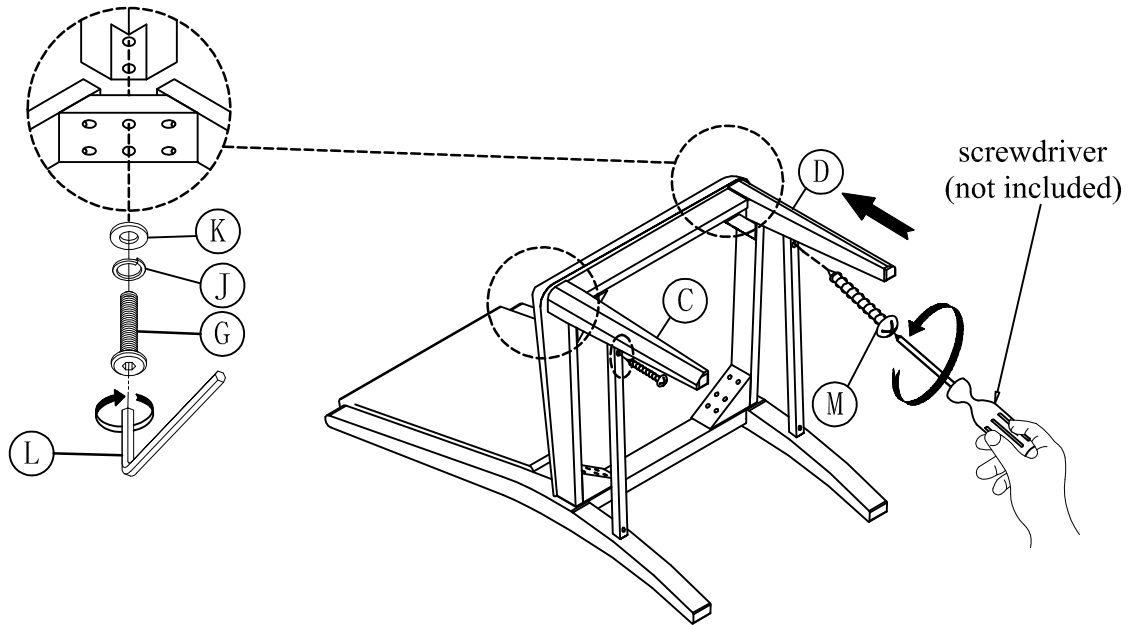
STEP 1 : Do not fully tighten the bolts.



STEP 2 : Do not fully tighten the screw.



STEP 3: Using the Allen Key to tighten all bolts.



Complete

