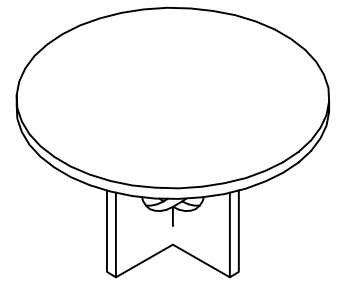


Warning :

- Be sure to check all packing material carefully for small parts, which may have come loose inside the carton during shipment.
- To prevent possible scratches and damage, this furniture **MUST BE ASSEMBLED BY TWO PEOPLE** on a soft surface such as a blanket or carpet.

Important Use Information: We recommend using coasters, placemats and trivets when placing hot or cold containers on this item. It is also recommended to quickly cleanup any spills to minimize exposure to moisture. Doing so will prolong the life and look of the item for many years.

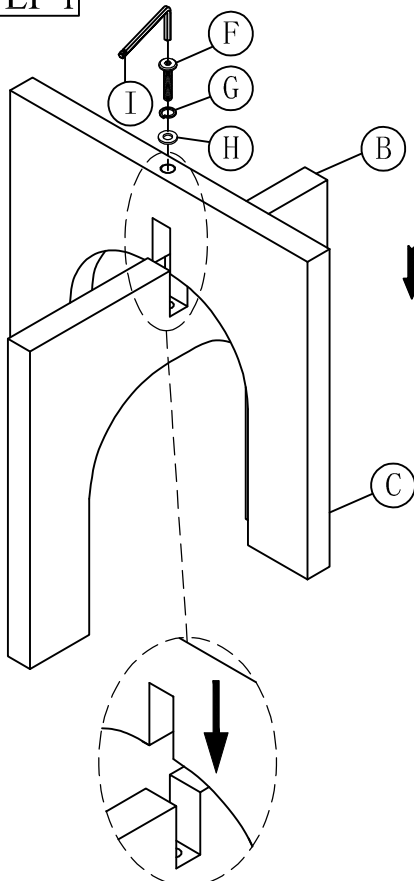


42552
Round Dining Table

Components and Hardware List

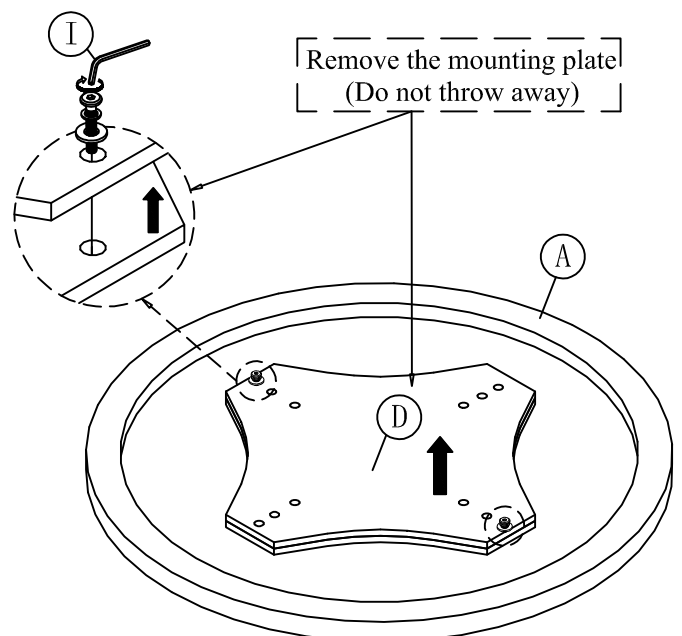
Table Top	Upper Leg	Lower Leg	Mounting plate
1 pc.	1 pc.	1 pc.	1 pc.
Ø5/16" - 18 x 1-3/8" Allen Head Bolt 10 pcs.	Ø5/16" - 18 x 4-15/16" Allen Head Bolt 1 pc.	Ø5/16"x Ø13 Spring Washer 11 pcs.	Ø5/16"x Ø19 Flat Washer 11 pcs.
			Allen Key 4mm 1 pc.

STEP 1

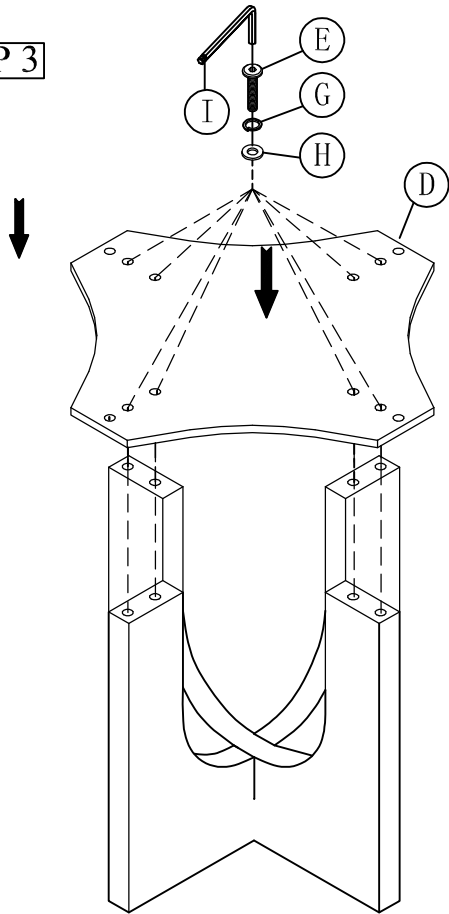


STEP 2

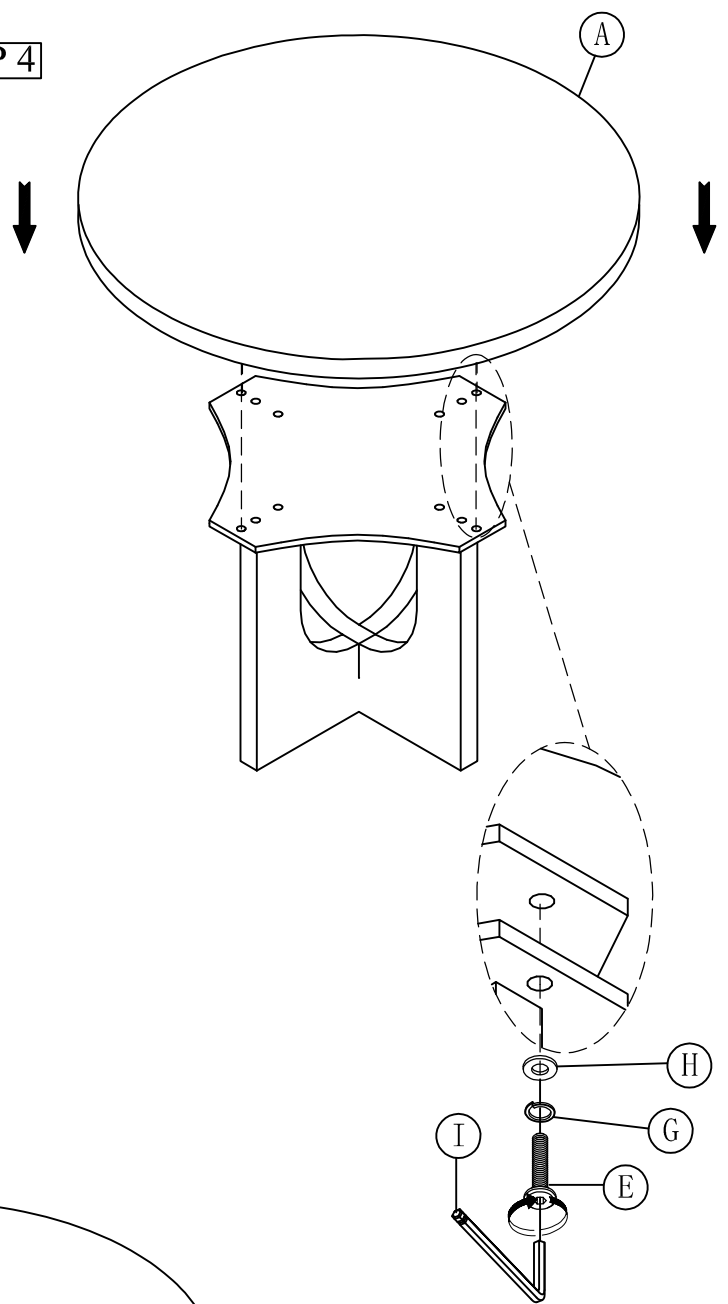
: Remove the bolts. (Size: Ø5/16-18x1-3/8")
(Do not throw away)



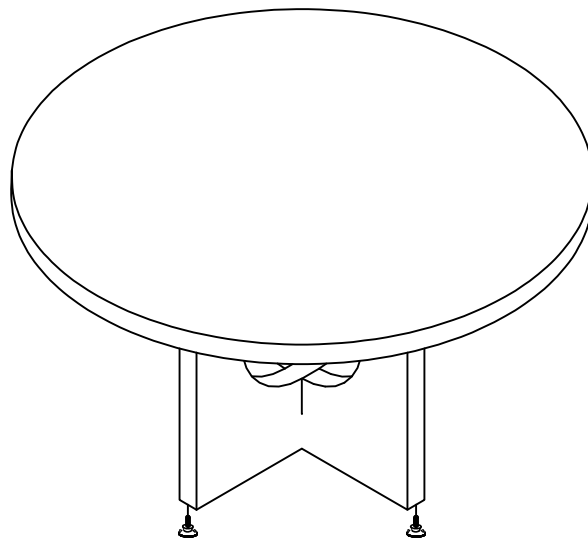
STEP 3



STEP 4



Complete



Adjustable leveler
(4pcs).