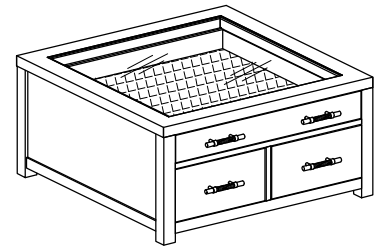


**Warning :**


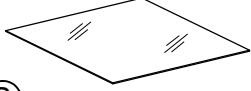


- Be sure to check all packing material carefully for small parts, which may have come loose inside the carton during shipment.
- To prevent possible scratches and damage, this furniture must be assembled on a soft surface such as a blanket or carpet.

**Important Use Information:** We recommend using coasters, placemats and trivets when placing hot or cold containers on this item. It is also recommended to quickly cleanup any spills to minimize exposure to moisture. Doing so will prolong the life and look of the item for many years.

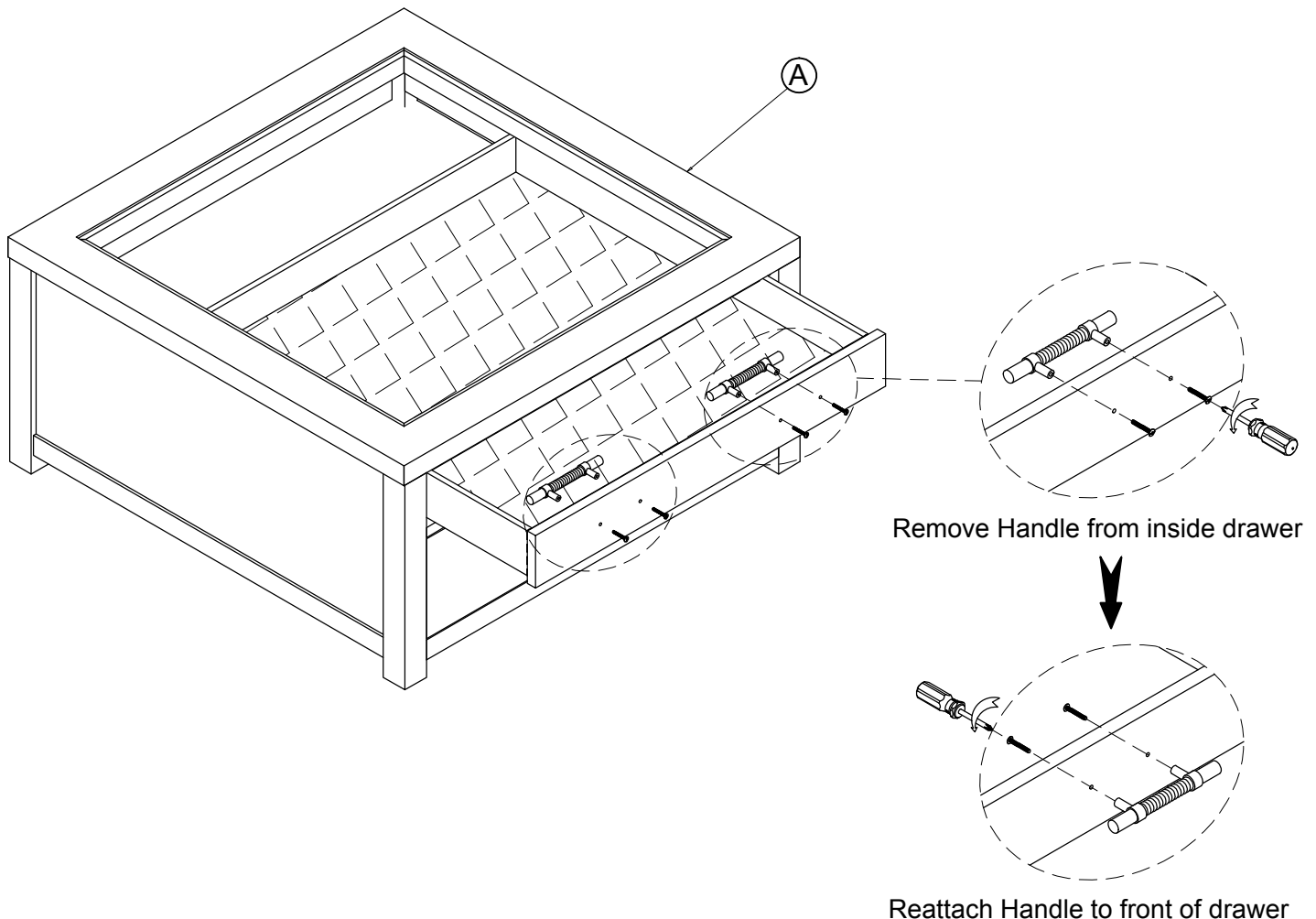


30732 / 31732  
Collectors Cocktail Table

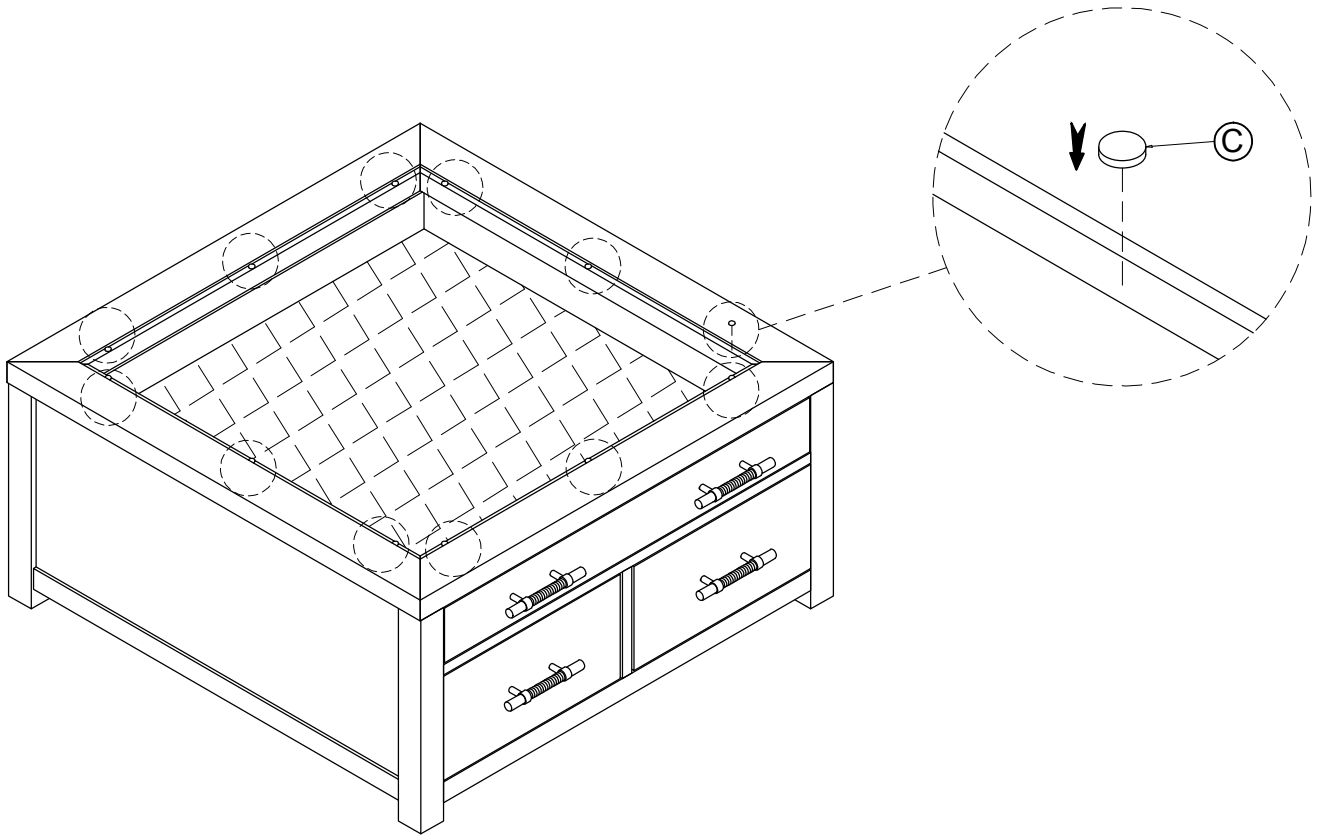
**Components & Hardware List**

<p>Collectors Cocktail Table</p>  <p>1 pc.</p>	<p>Top Glass</p>  <p>1 pc.</p>	<p>Silicone Bumper Pads Ø8 x 1.5</p>  <p>12 pcs.</p>	<p>Tool Required (not provided) Phillips Screwdriver</p> 
--	---	---	--

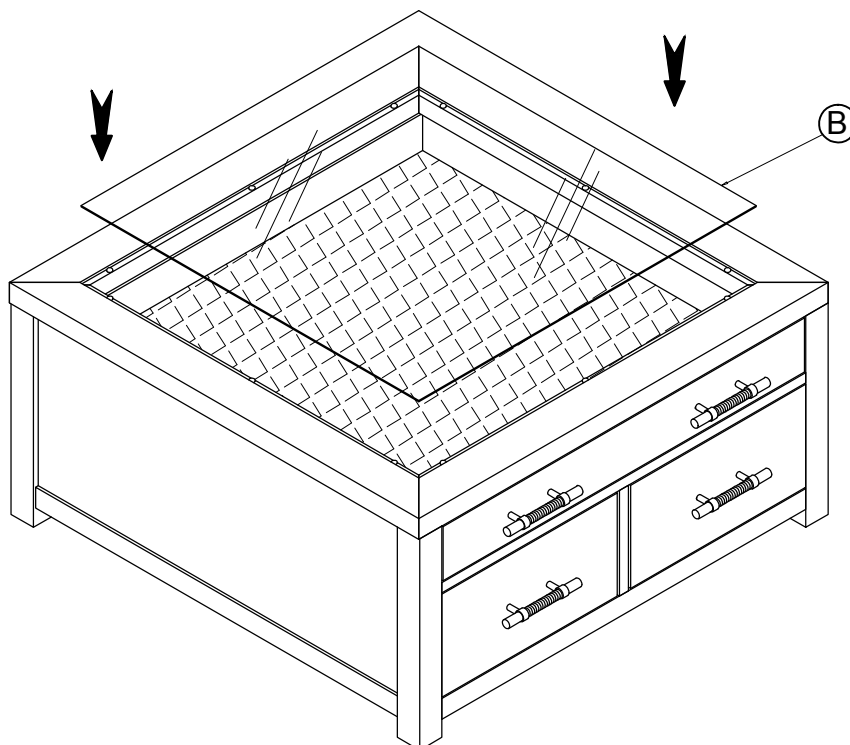
**STEP 1:**



STEP 2: Install silicone bumper pads onto  
Top Frame - Use 12 pads



STEP 3:



Note: To prevent possible damage to some types of flooring, never roll casters on unprotected hardwood or vinyl flooring.