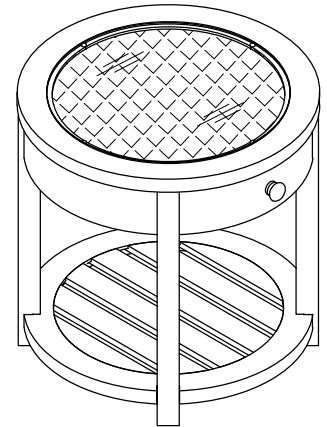


Warning :

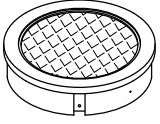
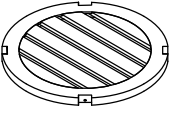
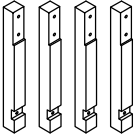
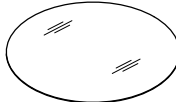
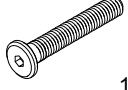


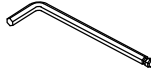
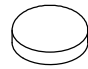

- Be sure to check all packing material carefully for small parts, which may have come loose inside the carton during shipment.
- To prevent possible scratches and damage, this furniture must be assembled on a soft surface such as a blanket or carpet.

Important Use Information: We recommend using coasters, placemats and trivets when placing hot or cold containers on this item. It is also recommended to quickly cleanup any spills to minimize exposure to moisture. Doing so will prolong the life and look of the item for many years.

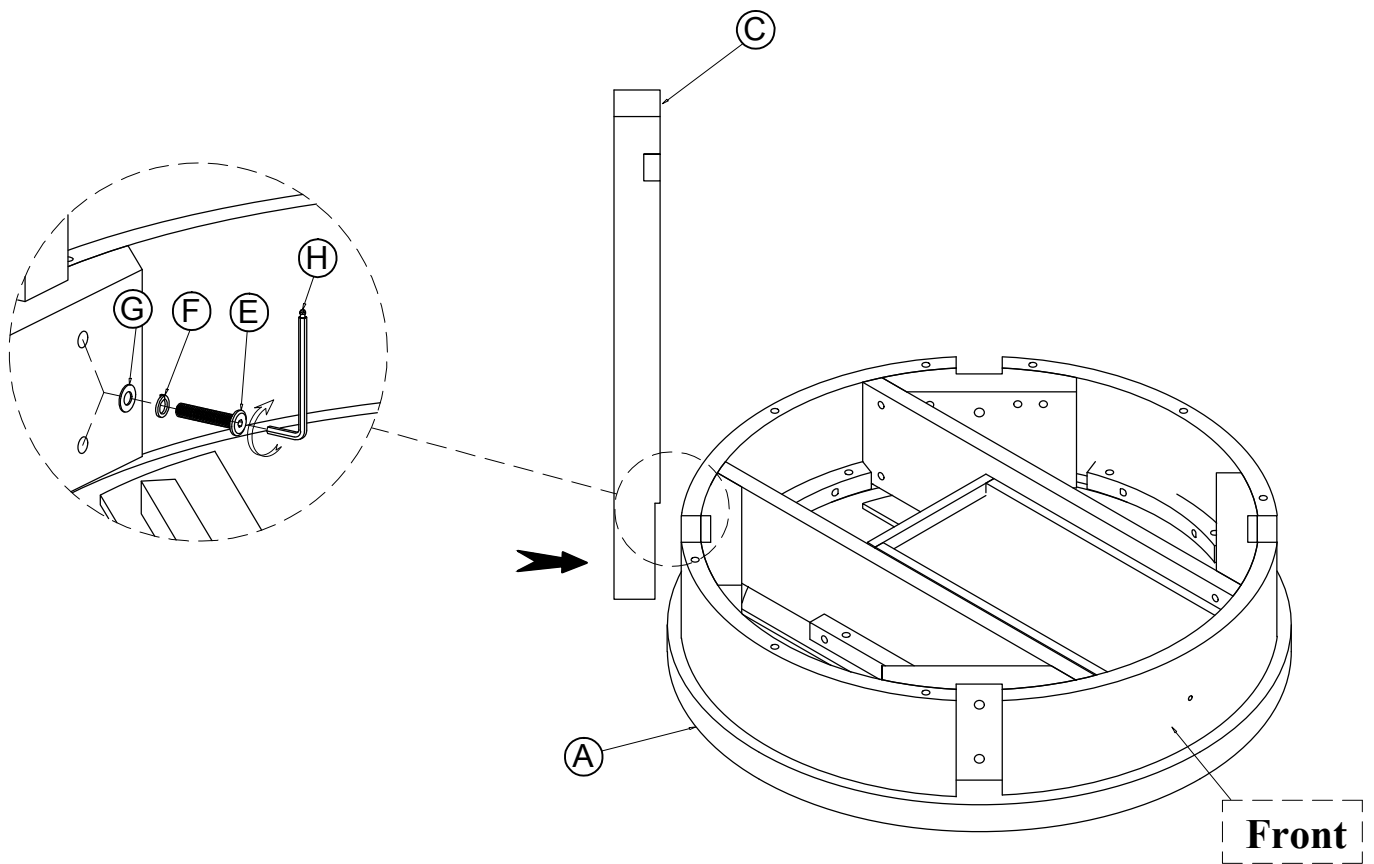


30717 / 31717
Round End Table

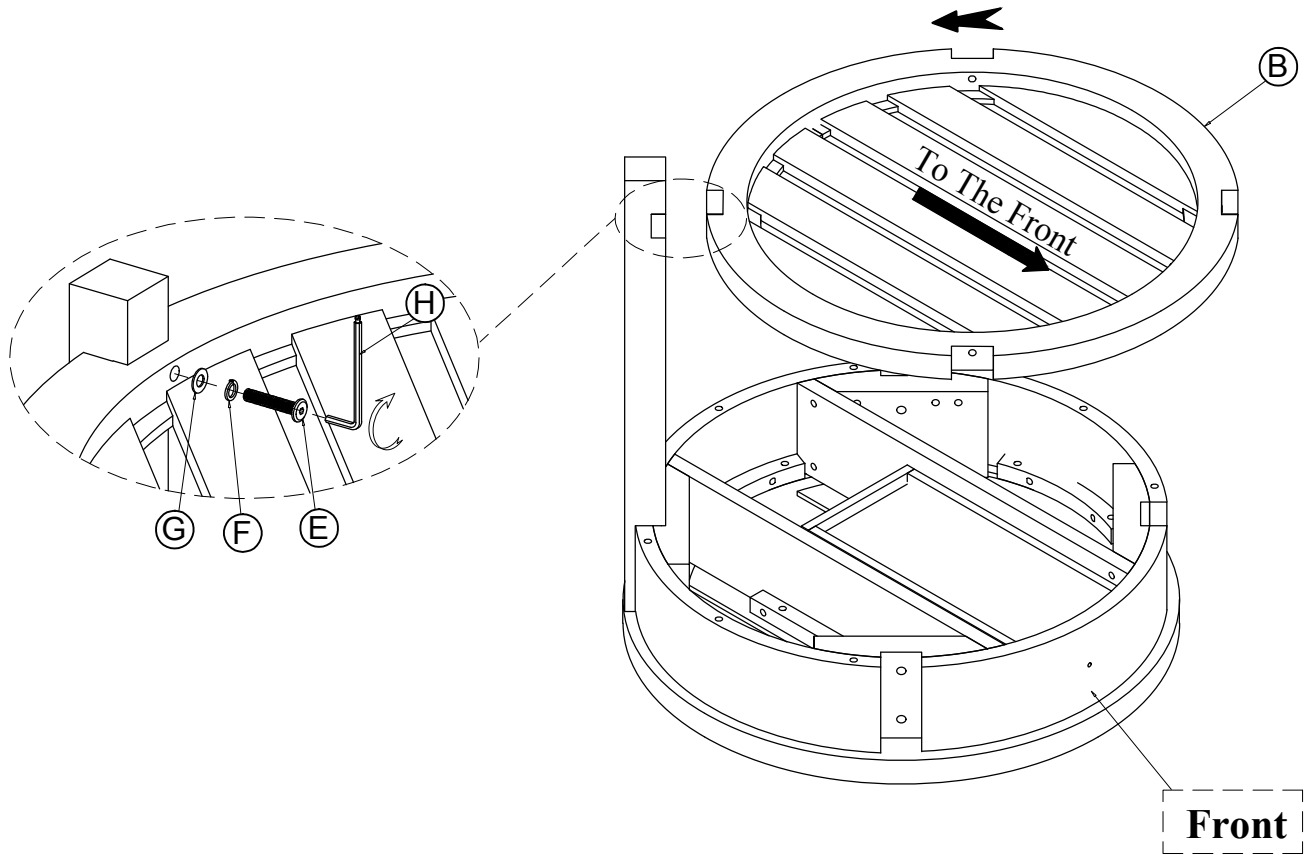
Components & Hardware List

<p>Top Assembly</p>  <p>1 pc.</p>	<p>Bottom Shelf</p>  <p>1 pc.</p>	<p>Leg</p>  <p>4 pcs.</p>	<p>Top Glass</p>  <p>1 pc.</p>	<p>Allen Head Bolt M8-32 x 50mm</p>  <p>12 pcs.</p>
<p>Lock Washer Ø9 x Ø13mm</p>  <p>12 pcs.</p>	<p>Flat Washer Ø8 x Ø16mm</p>  <p>12 pcs.</p>	<p>Allen Key 4 x 110mm</p>  <p>1 pc.</p>	<p>Silicone Bumper Pads Ø8 x 1.5</p>  <p>4 pcs.</p>	<p>Tool Required (not provided) Phillips Screwdriver</p> 

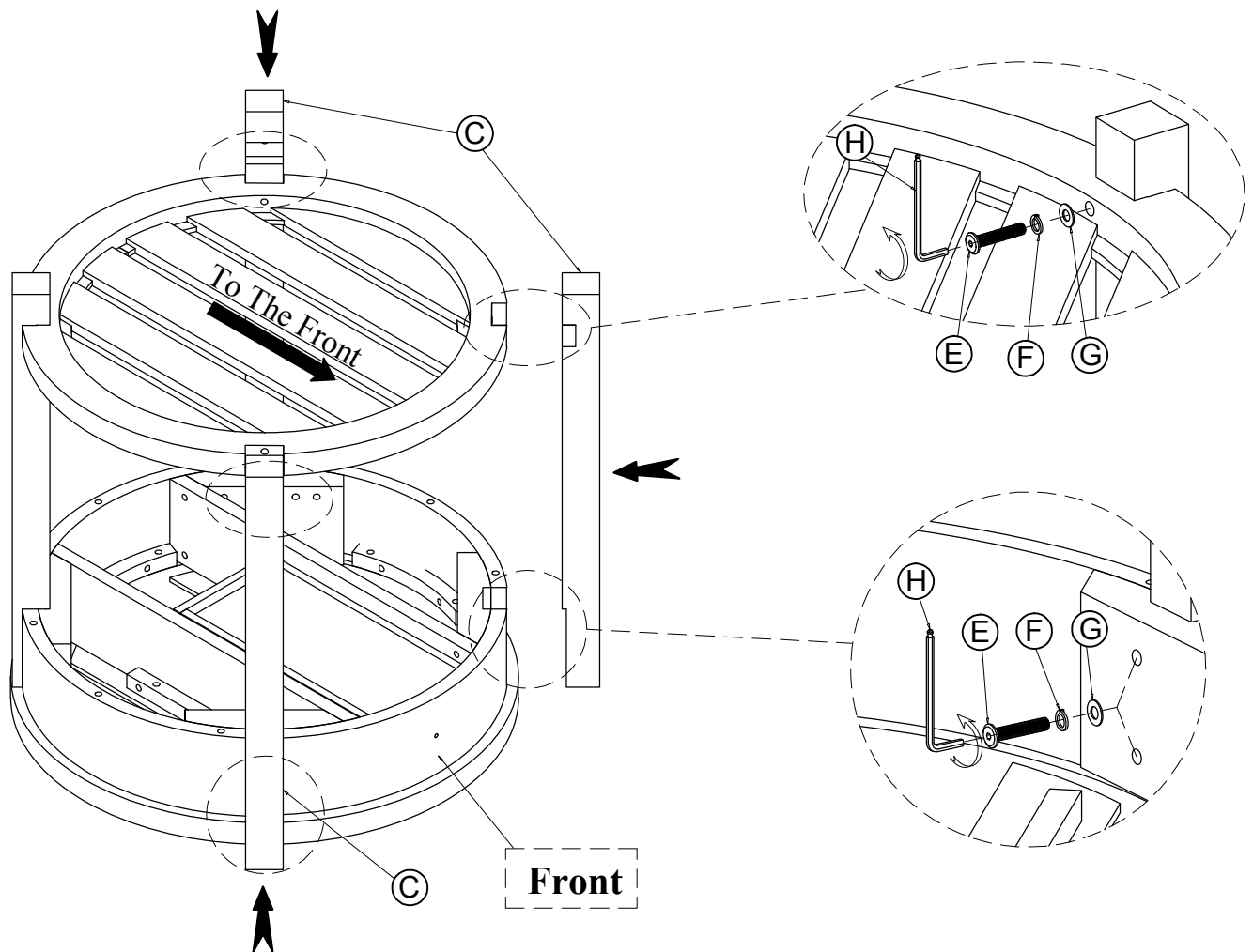
STEP 1: Do not fully tighten all bolts



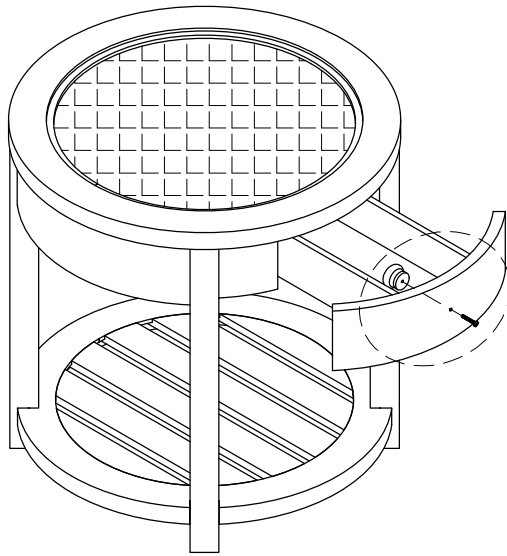
STEP 2: Do not fully tighten all bolts



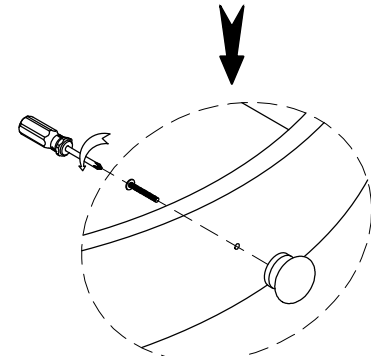
STEP 3: Using the Allen Key to tighten all bolts



STEP 4:

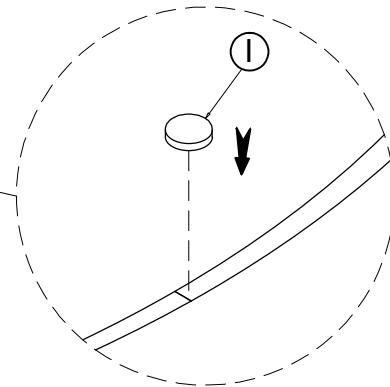
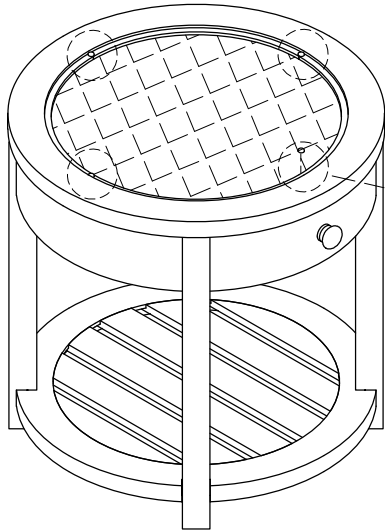


Remove Knob from inside drawer



Reattach Knob to front of drawer

STEP 5: Install silicone bumper pads onto
Top Assembly - Use 4 pads



STEP 6:

Complete

