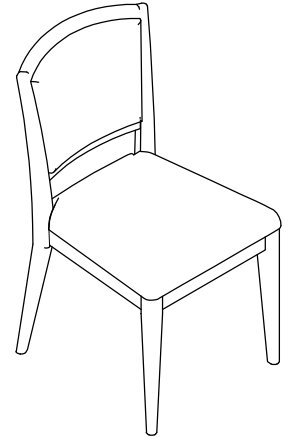



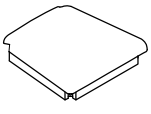

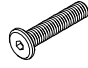
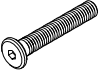
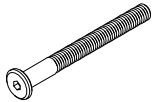



Warning :

- Be sure to check all packing material carefully for small parts, which may have come loose inside the carton during shipment.
- To prevent possible scratches and damage, this furniture must be assembled on a soft surface such as a blanket or carpet.

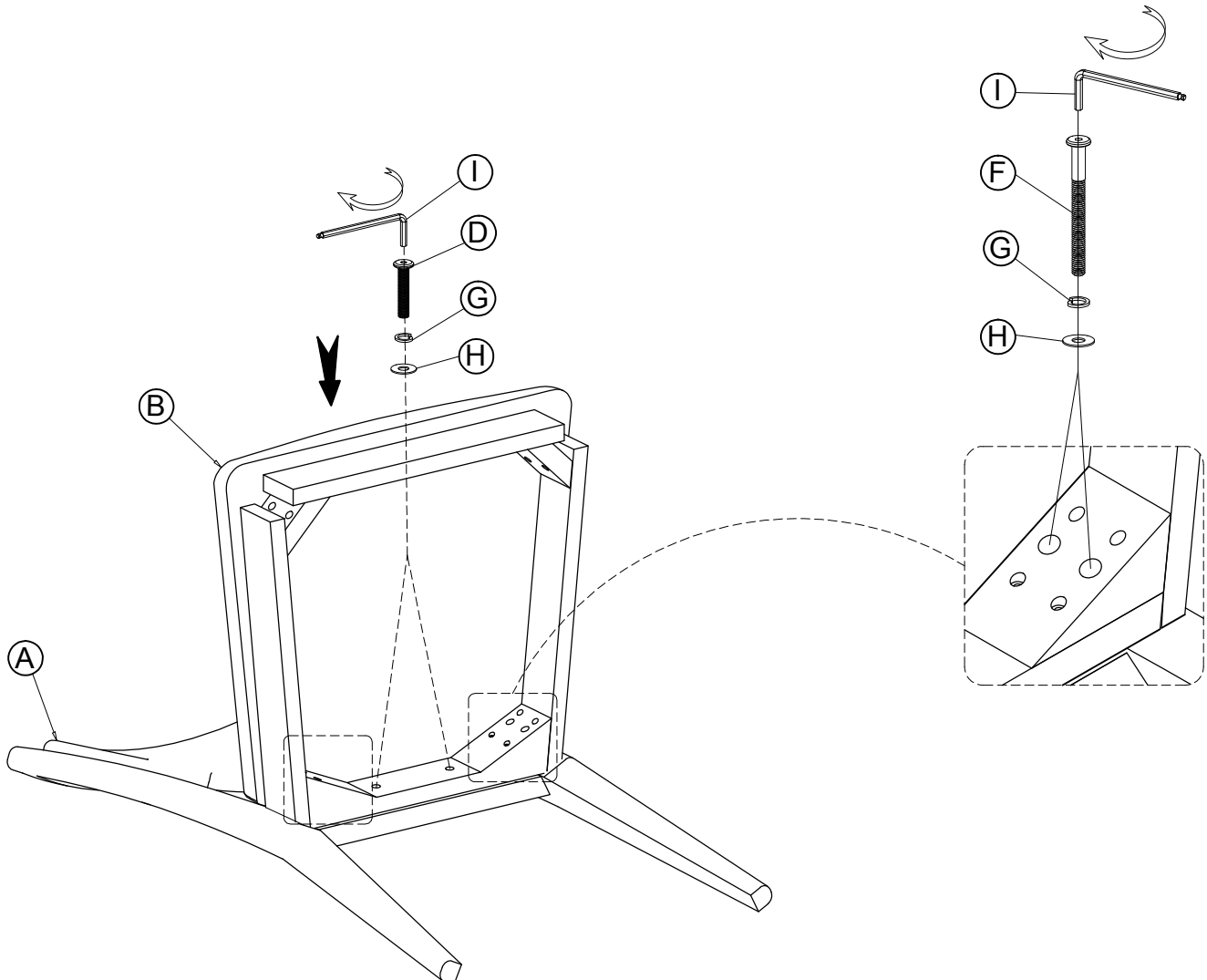


25057
Uph Back Back Chair

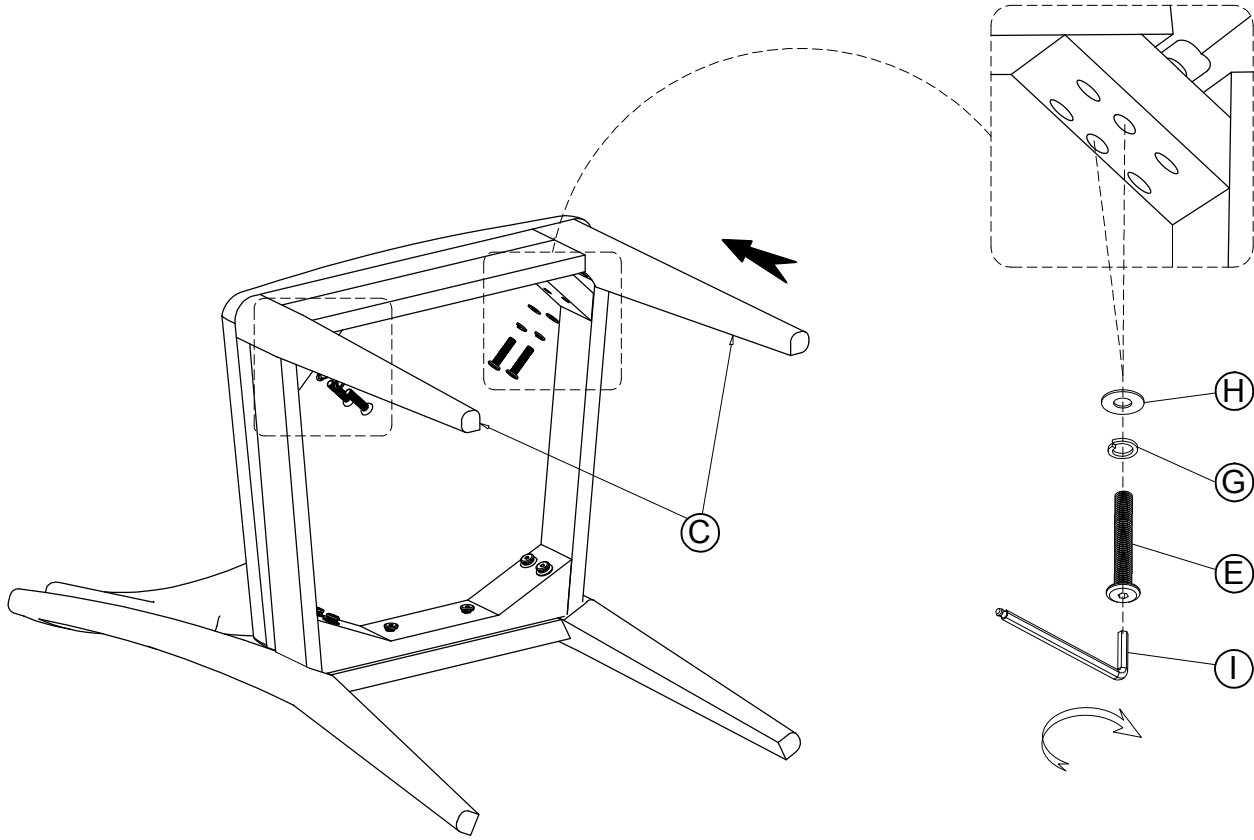
Components and Hardware List

<p>Chair Back</p>  <p>(A) 1 Pc.</p>	<p>Chair Seat</p>  <p>(B) 1 Pc.</p>	<p>Front Leg</p>  <p>(C) 2 Pcs.</p>	<p>Allen Head Bolt M8-32 x 40mm</p>  <p>(D) 2 Pcs.</p>	
<p>Allen Head Bolt M8-32 x 55mm</p>  <p>(E) 4 Pcs.</p>	<p>Allen Head Bolt M8-32 x 85mm</p>  <p>(F) 4 Pcs.</p>	<p>Lock Washer Ø9 x Ø13mm</p>  <p>(G) 10 Pcs.</p>	<p>Flat Washer Ø8 x Ø20mm</p>  <p>(H) 10 Pcs.</p>	<p>Allen Key 4 x 110mm</p>  <p>(I) 1 Pcs.</p>

STEP 1:



STEP 2:



Complete

