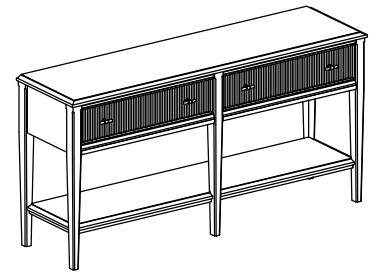


### Warning :

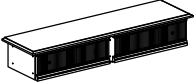



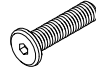
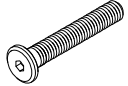




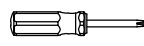
- Be sure to check all packing material carefully for small parts, which may have come loose inside the carton during shipment.
- To prevent possible scratches and damage, this furniture **MUST BE ASSEMBLED BY TWO PEOPLE** on a soft surface such as a blanket or carpet.

**Important Use Information:** We recommend using coasters, placemats and trivets when placing hot or cold containers on this item. It is also recommended to quickly cleanup any spills to minimize exposure to moisture. Doing so will prolong the life and look of the item for many years.

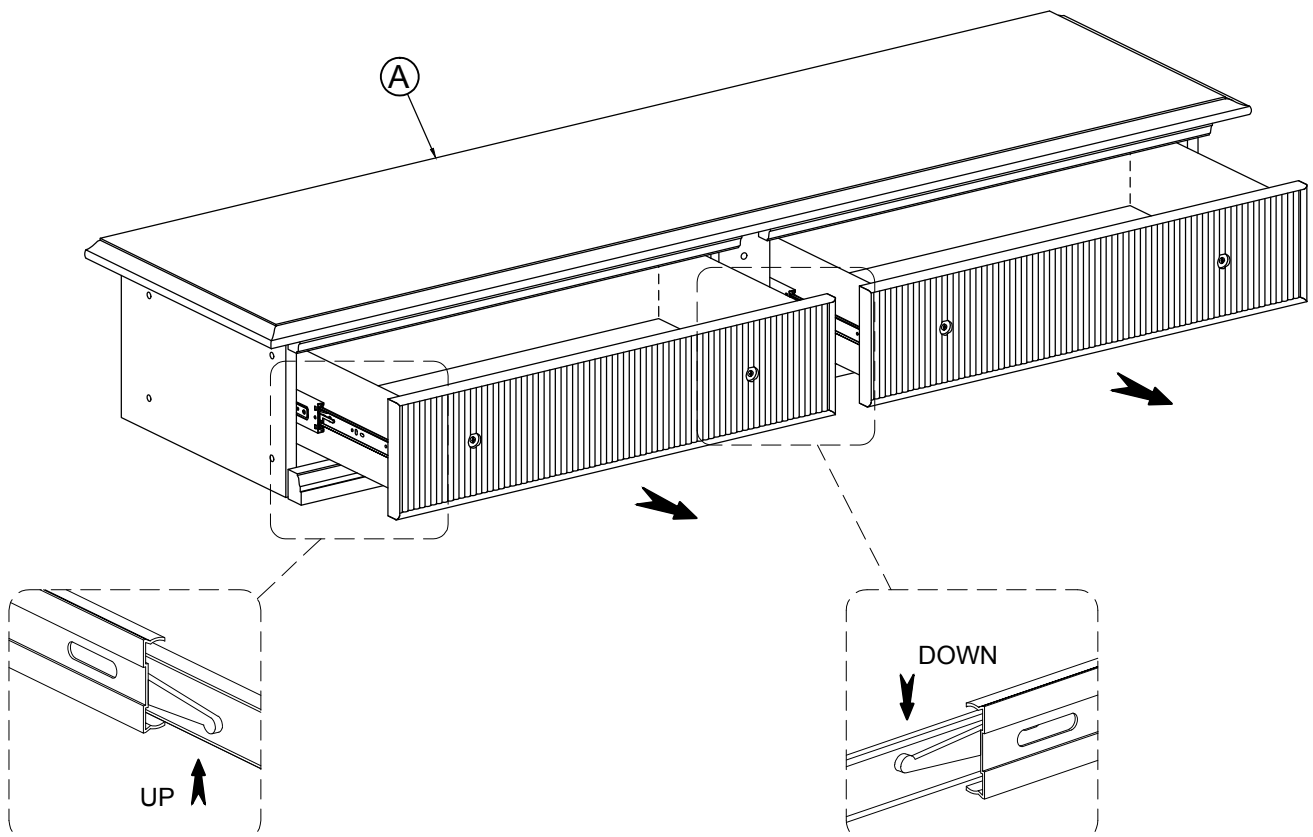


25055 - Accent Sever

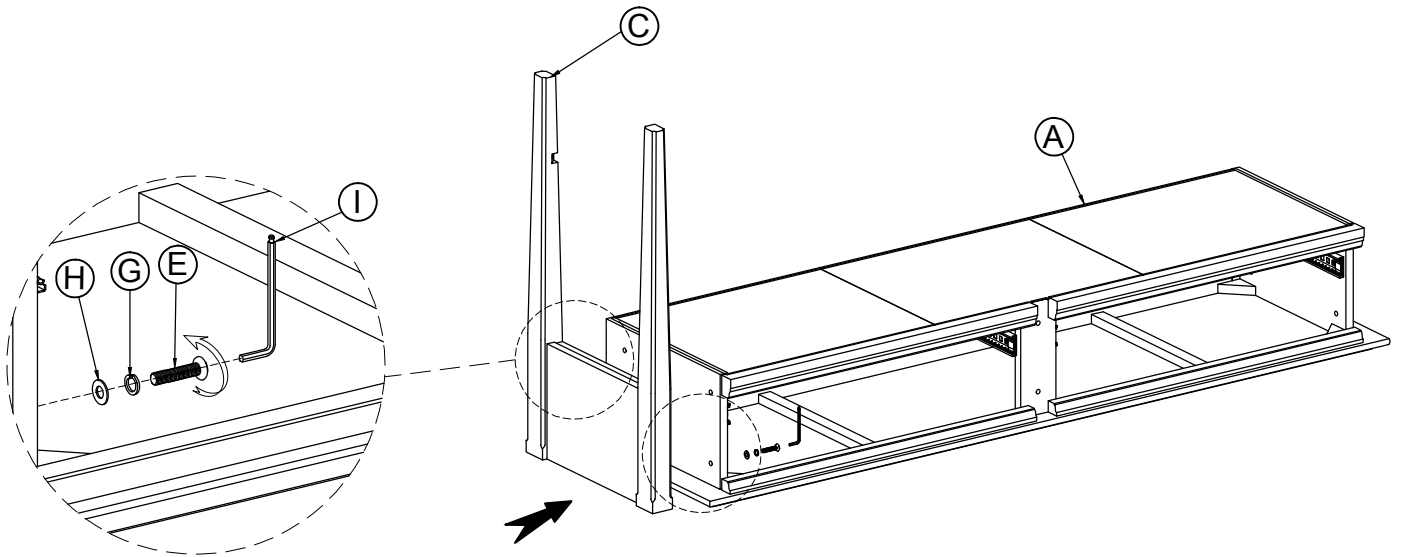
### Components & Hardware List

<p>Top Assembly</p>  <p><b>A</b> 1 pc.</p>	<p>Bottom Shelf</p>  <p><b>B</b> 1 pc.</p>	<p>Leg Assembly</p>  <p><b>C</b> 2 pcs.</p>	<p>Middle Leg</p>  <p><b>D</b> 1 pc.</p>	<p>Allen Head Bolt M8-32 x 40mm</p>  <p><b>E</b> 10 pcs.</p>	<p>Allen Head Bolt M8-32 x 85mm</p>  <p><b>F</b> 5 pcs.</p>
<p>Lock Washer Ø9 x Ø13mm</p>  <p><b>G</b> 15 pcs.</p>	<p>Flat Washer Ø8 x Ø16mm</p>  <p><b>H</b> 15 pcs.</p>	<p>Allen Key 4 x 110mm</p>  <p><b>I</b> 1 pc.</p>	<p>Furniture Tipping Restraint Kit</p>  <p><b>J</b> 2 pcs.</p>	<p>Tool Required (not provided) Phillips Screwdriver</p> 	

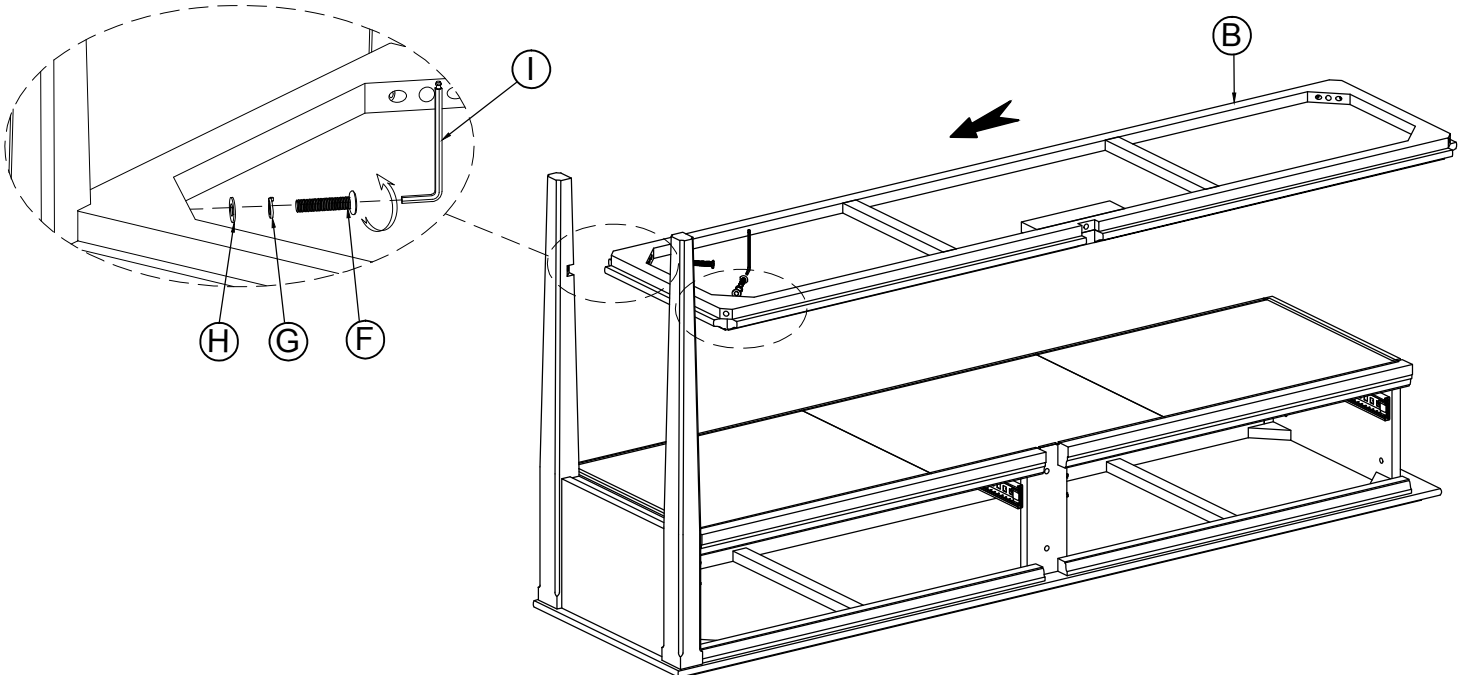
### STEP 1: Remove both drawers



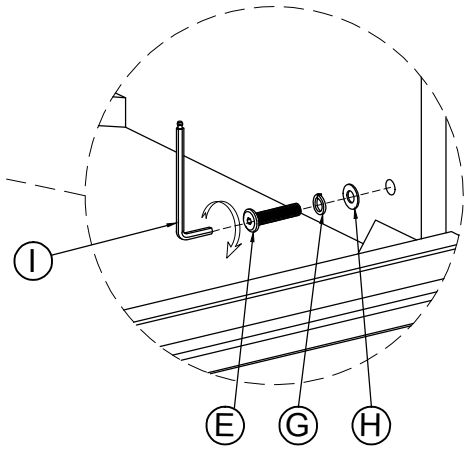
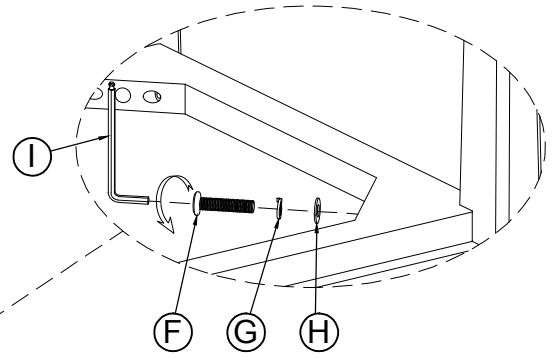
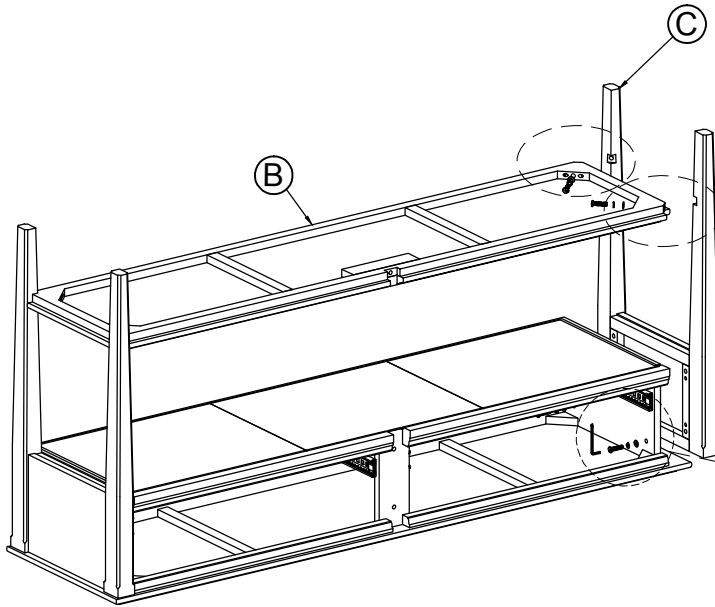
STEP 2: Do not fully tighten all bolts



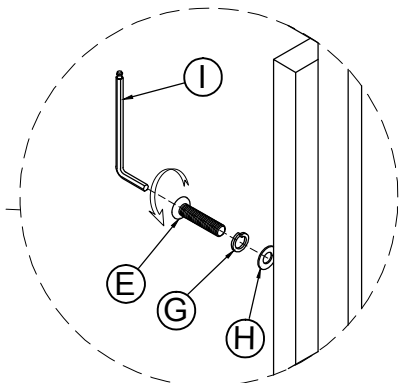
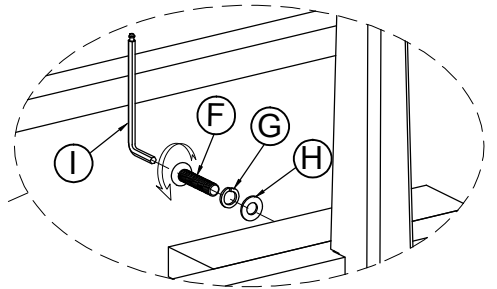
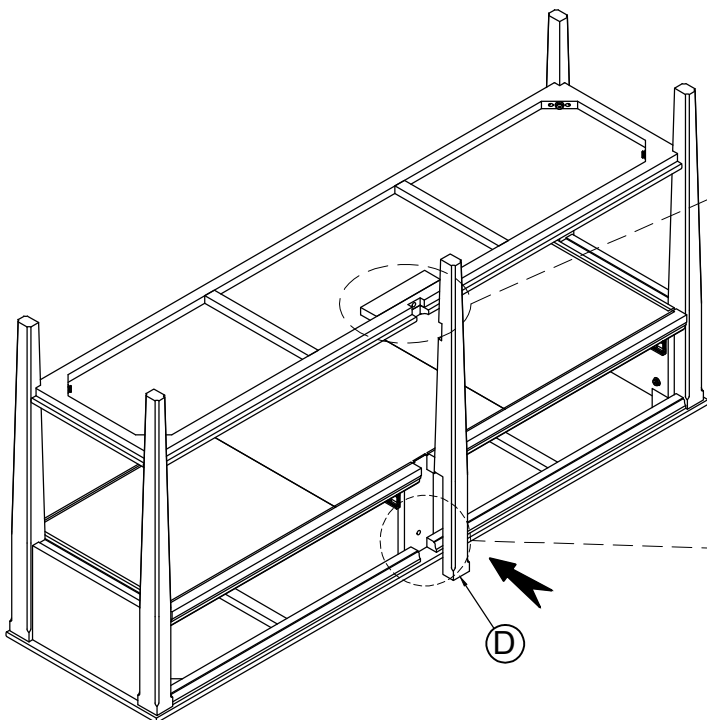
STEP 3: Do not fully tighten all bolts



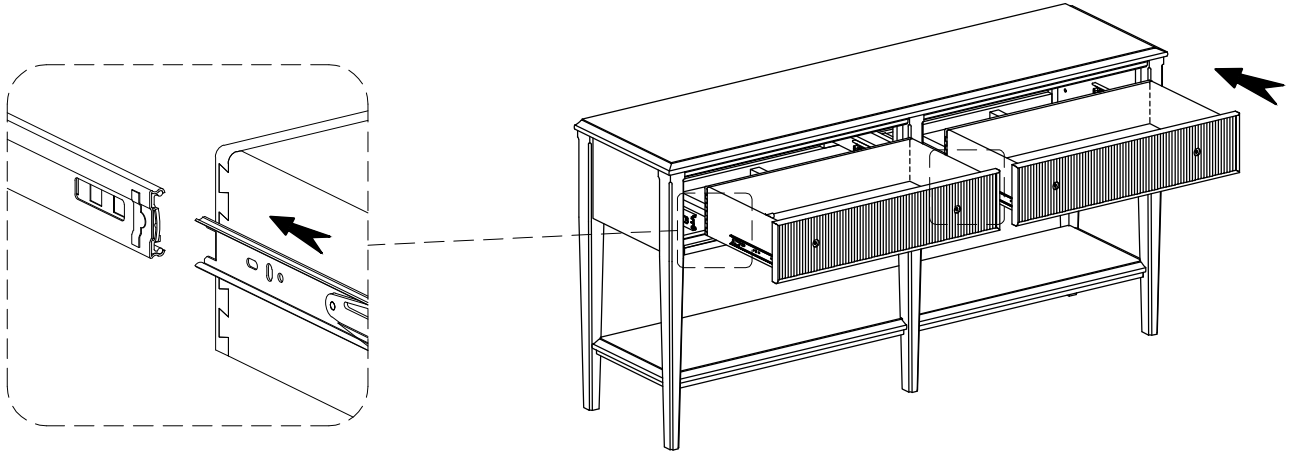
STEP 4: Do not fully tighten all bolts



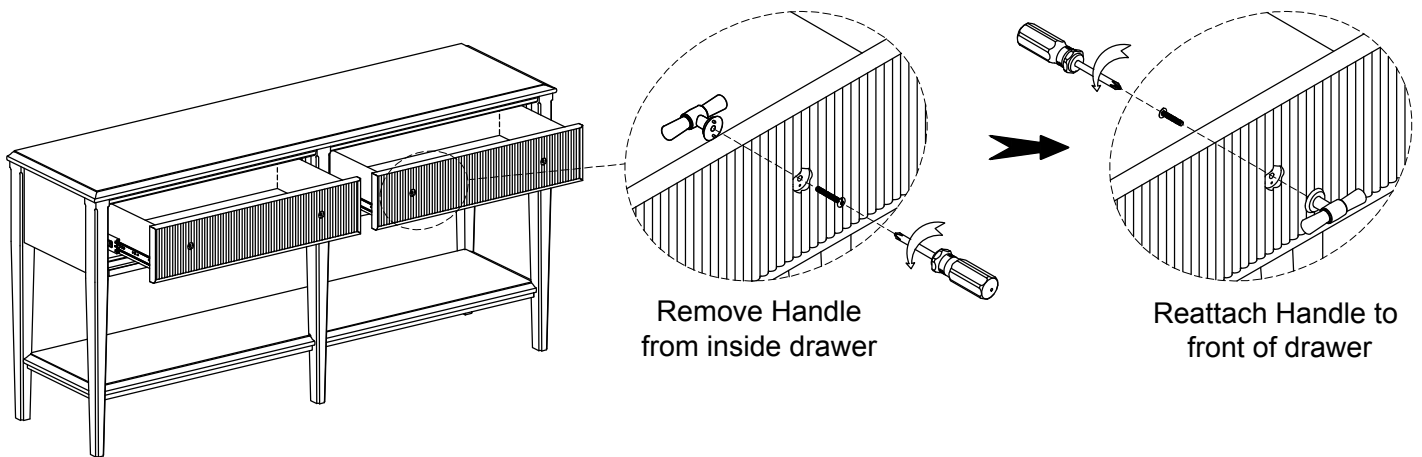
STEP 5: Using the Allen Key to tighten all bolts



STEP 6: Re-install both drawers



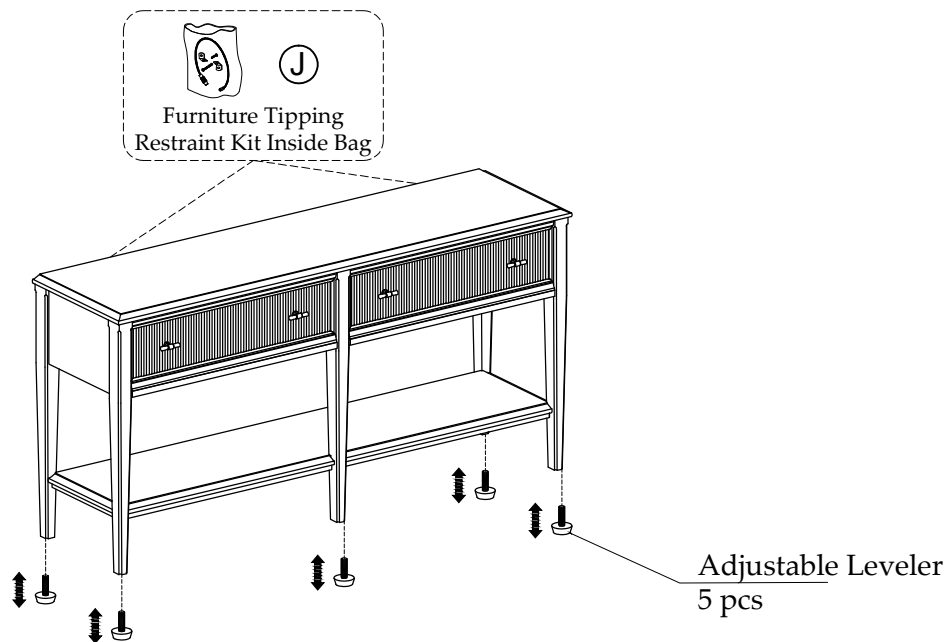
STEP 7:



Remove Handle  
from inside drawer

Reattach Handle to  
front of drawer

STEP 8:



Adjustable Leveler  
5 pcs

For product and personal safety, two Furniture Tipping Restraint kits have been included with this unit which can help to minimize the risk of the unit accidentally tipping forward, if used and properly installed per the kit manufacturer's instructions.