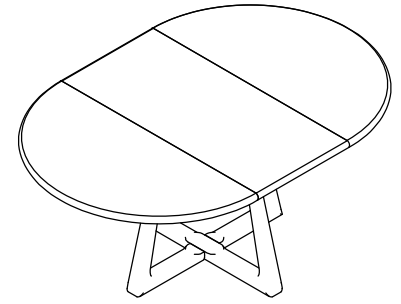


Warning :

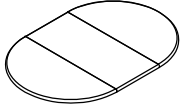
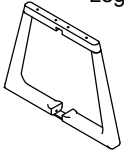
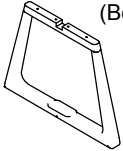
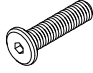
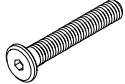




- Be sure to check all packing material carefully for small parts, which may have come loose inside the carton during shipment.
- To prevent possible scratches and damage, this furniture **MUST BE ASSEMBLED BY TWO PEOPLE** on a soft surface such as a blanket or carpet.

Important Use Information: We recommend using coasters, placemats and trivets when placing hot or cold containers on this item. It is also recommended to quickly cleanup any spills to minimize exposure to moisture. Doing so will prolong the life and look of the item for many years.



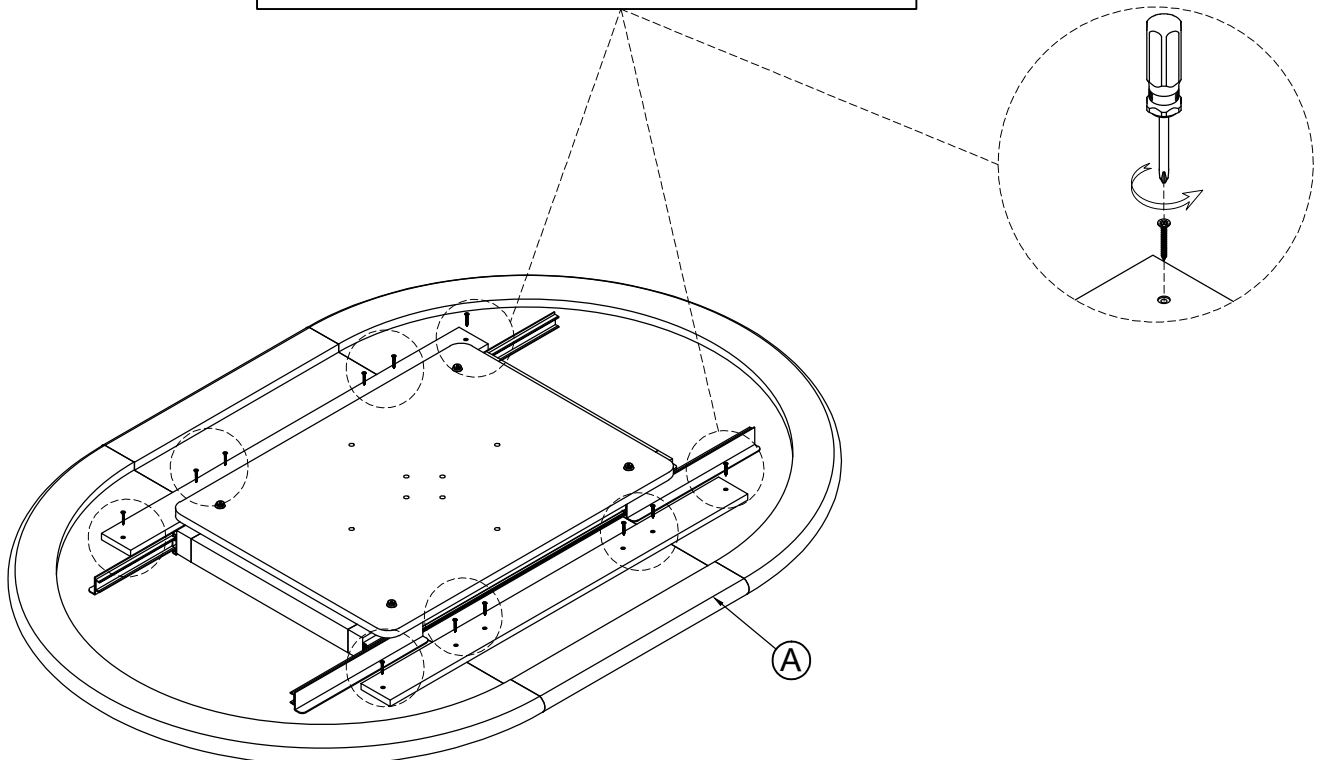
25052 - Round Dining Table

Components & Hardware List

| | | | | |
|--|--|--|--|---|
| <p>Table Top</p>  <p>1 pc.</p> | <p>Leg Assembly (Top)</p>  <p>1 pc.</p> | <p>Leg Assembly (Bottom)</p>  <p>1 pc.</p> | <p>Allen Head Bolt M8-32 x 35mm</p>  <p>8 pcs.</p> | <p>Allen Head Bolt M8-32 x 60mm</p>  <p>2 pcs.</p> |
| <p>Lock Washer Ø9 x Ø13mm</p>  <p>10 pcs.</p> | <p>Flat Washer Ø8 x Ø20mm</p>  <p>10 pcs.</p> | <p>Allen Key 4 x 110mm</p>  <p>1 pc.</p> | <p>Tool Required (not provided) Phillips Screwdriver</p>  | |

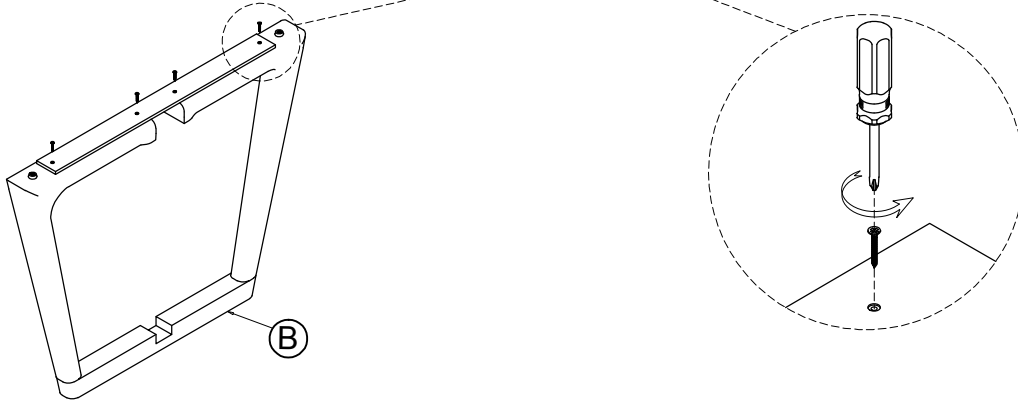
STEP 1:

Remove shipping brace by removing screws (12pcs) as shown and discard.

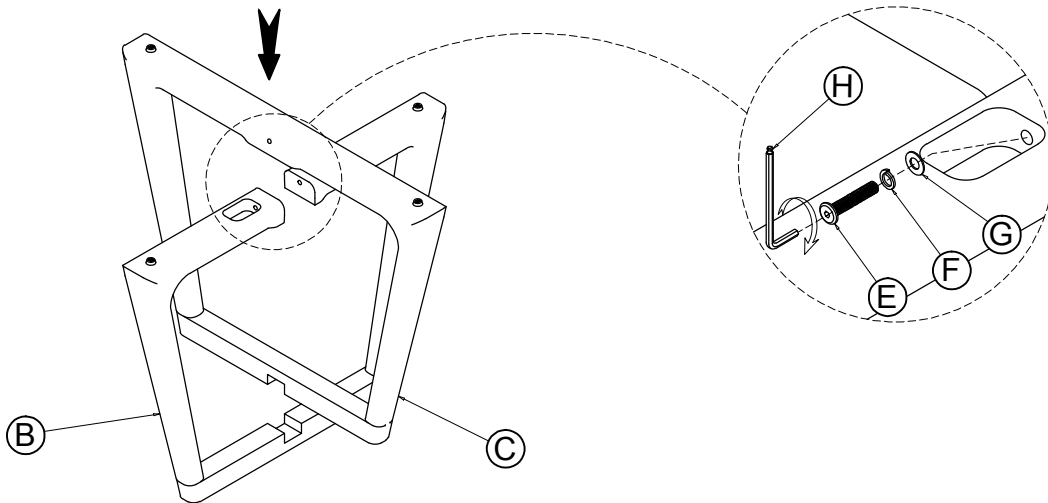


STEP 2:

Remove shipping brace by removing screws (4pcs) as shown and discard.

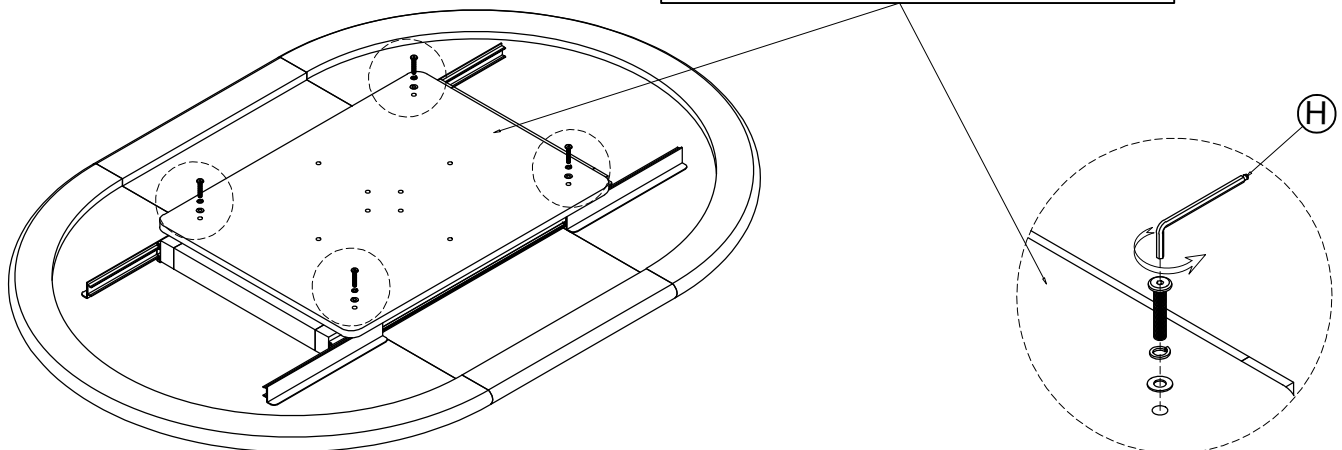


STEP 3:

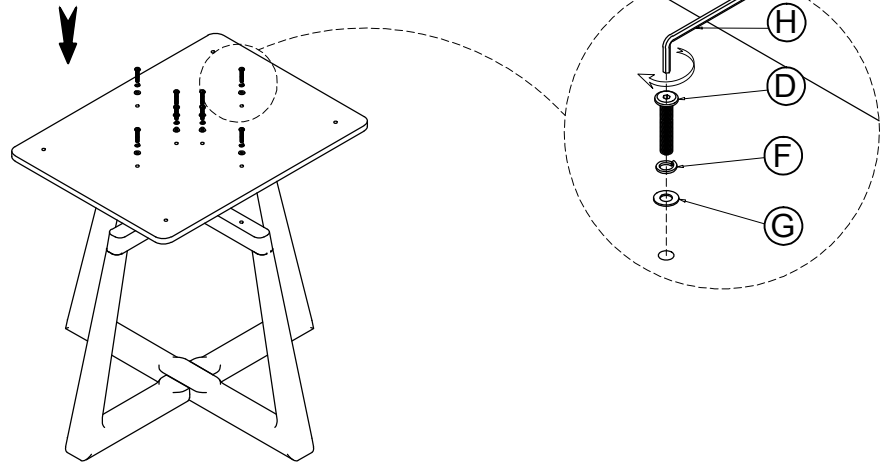


STEP 4: Un-install the Mounting Plate.
(Do not throw bolts M8-32 x 35mm away)

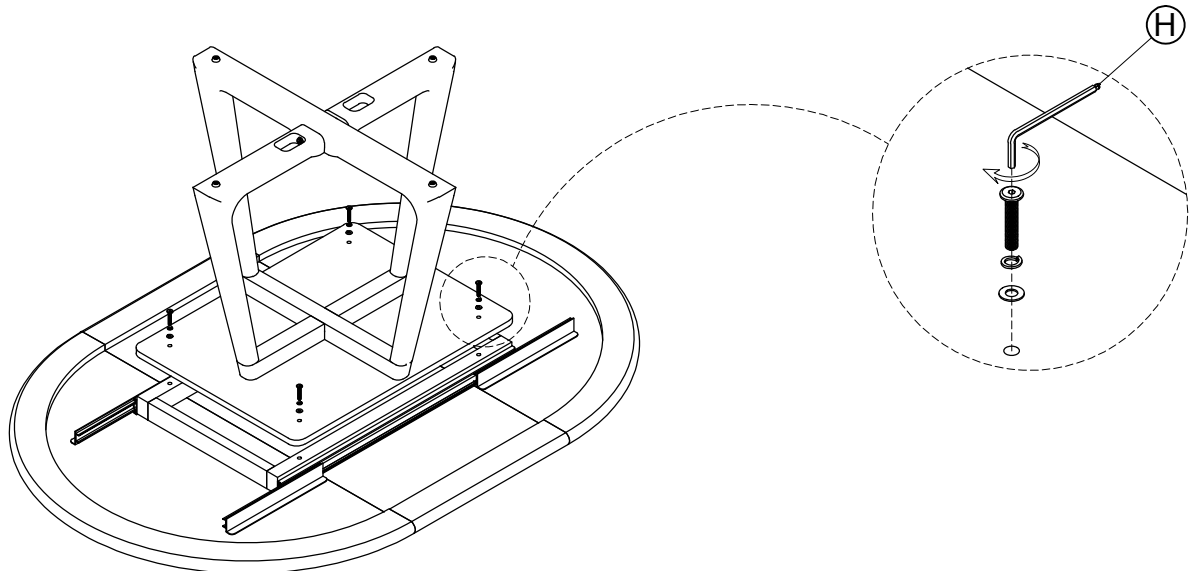
Remove the mounting plate
(Keep all 4 bolts M8-32 x 35mm)



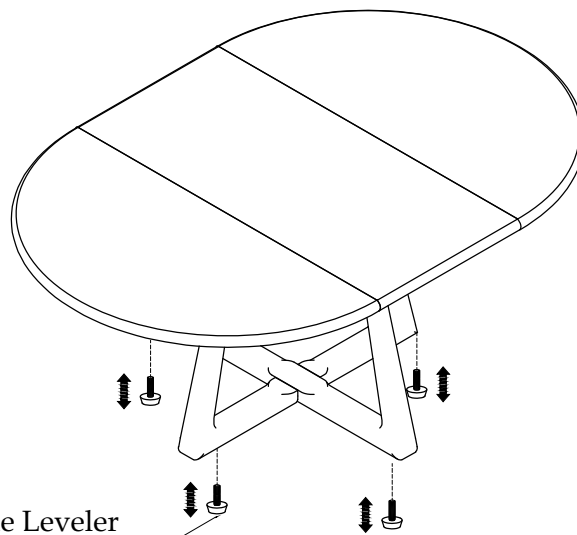
STEP 5: Install the Mounting Plate from Step 4 to the Leg assembly



STEP 6: Re-attach the Mounting Plate by using 4 bolts M8-32 x 35mm from Step 4

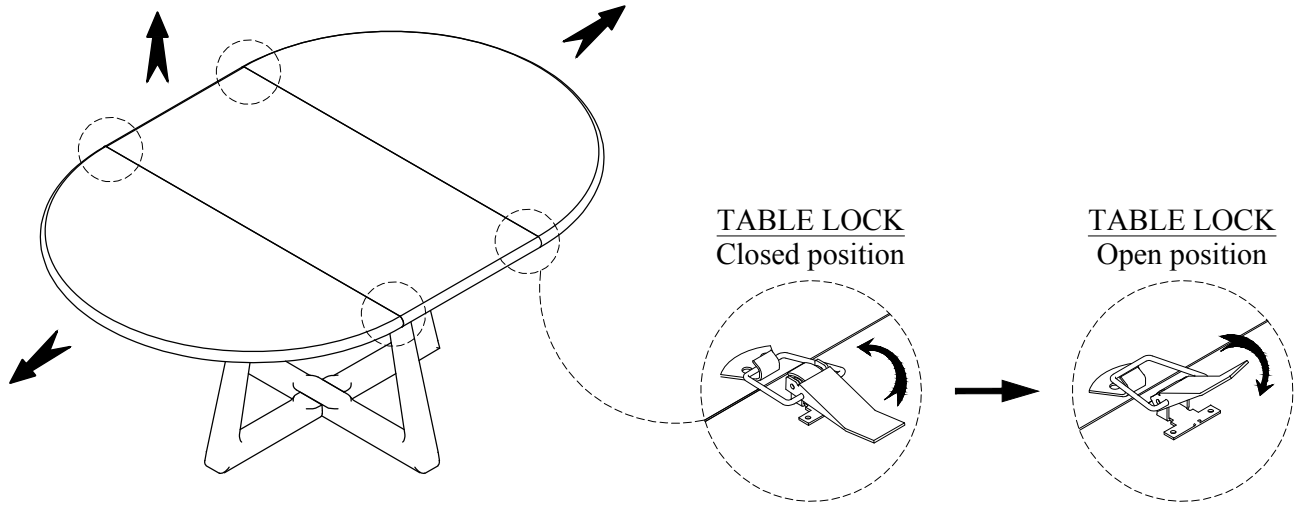


Complete



Adjustable Leveler
4 pcs

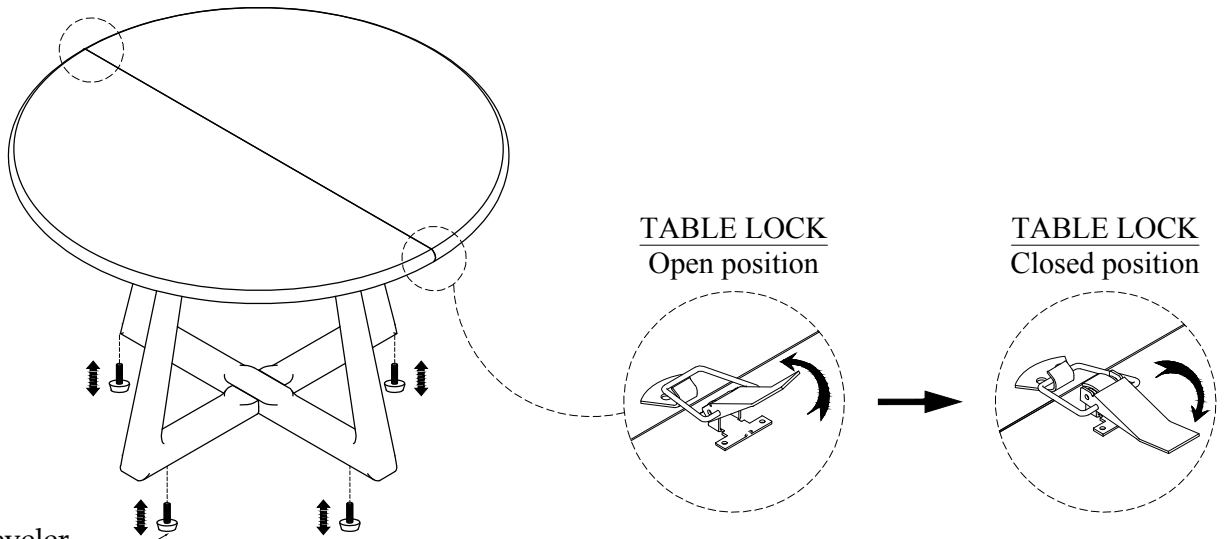
Option 2
STEP 7:



STEP 8:



STEP 9:



Adjustable Leveler
4 pcs