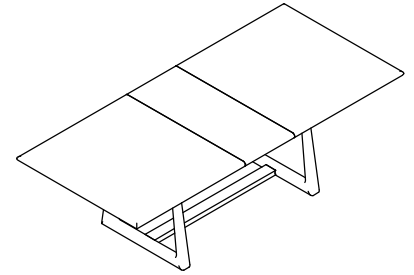


#### Warning :

- Be sure to check all packing material carefully for small parts, which may have come loose inside the carton during shipment.
- To prevent possible scratches and damage, this furniture **MUST BE ASSEMBLED BY TWO PEOPLE** on a soft surface such as a blanket or carpet.

**Important Use Information:** We recommend using coasters, placemats and trivets when placing hot or cold containers on this item. It is also recommended to quickly cleanup any spills to minimize exposure to moisture. Doing so will prolong the life and look of the item for many years.



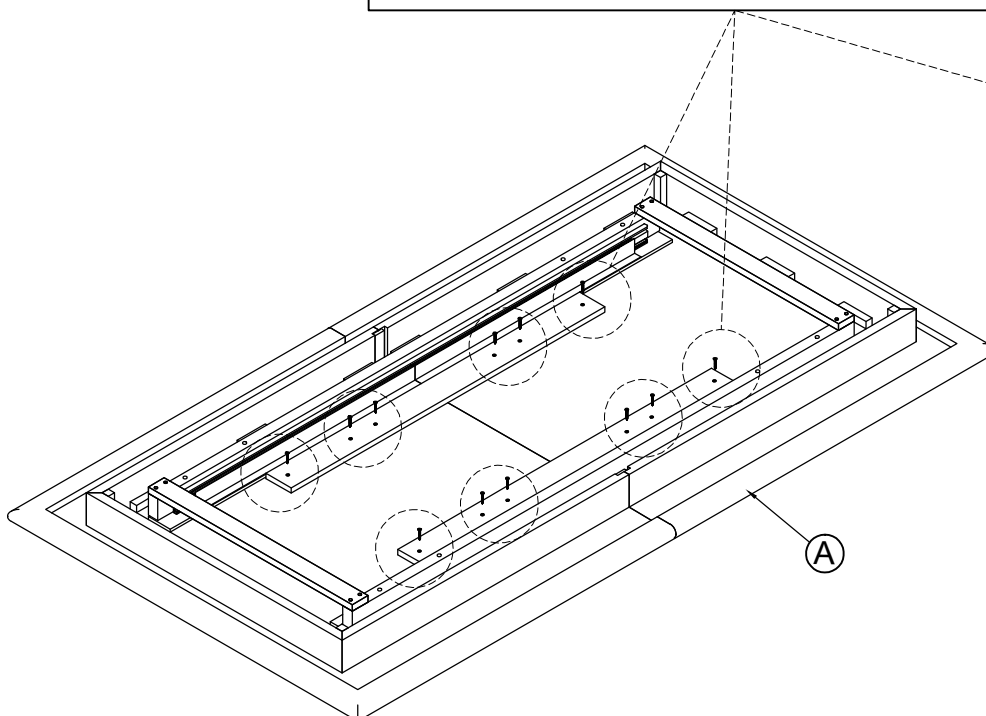
25050 - Rectangle Dining Table

#### Components & Hardware List

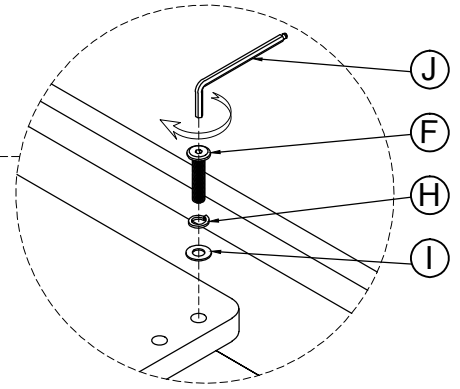
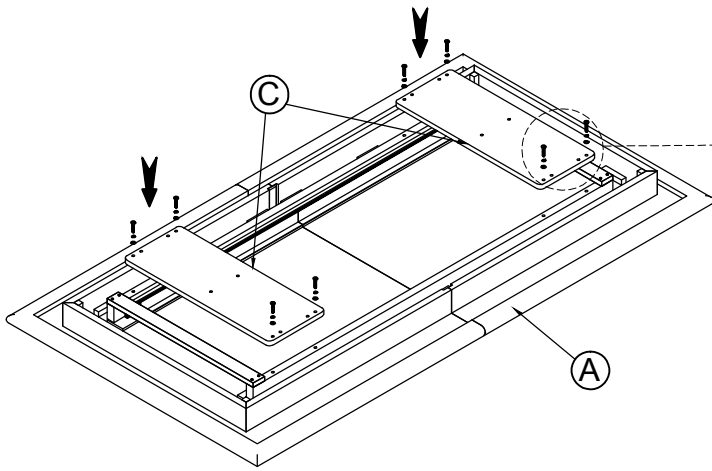
Table Top		Leaf		Mounting Plate		Stretcher		Leg Assembly	
	1 pc.		1 pc.		2 pcs.		1 pc.		2 pcs.
	20 pcs.		2 pcs.		22 pcs.		22 pcs.		1 pc.
Allen Head Bolt M8-32 x 40mm		Allen Head Bolt M8-32 x 60mm		Lock Washer Ø9 x Ø13mm		Flat Washer Ø8 x Ø20mm		Allen Key 4 x 110mm	
				Tool Required (not provided) Phillips Screwdriver					

#### STEP 1:

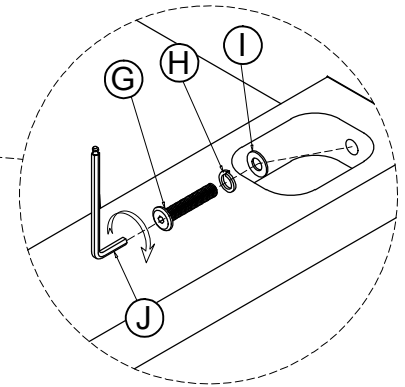
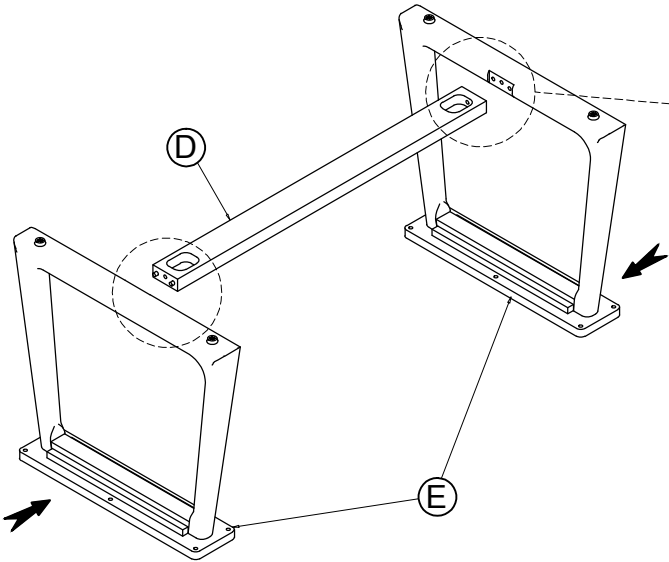
Remove shipping brace by removing screws (12pcs) as shown and discard.



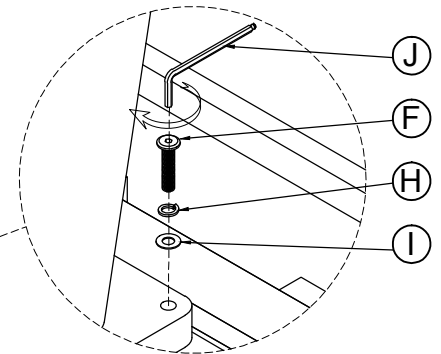
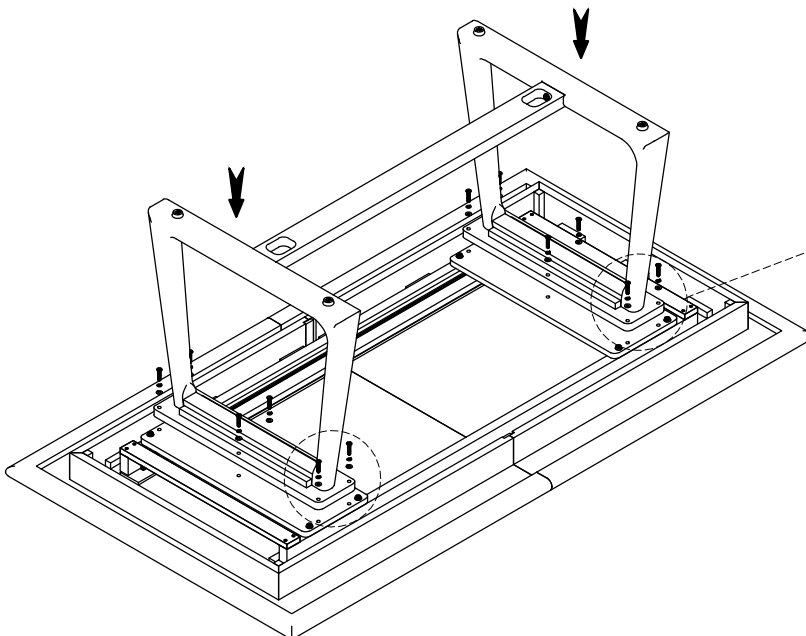
STEP 2:



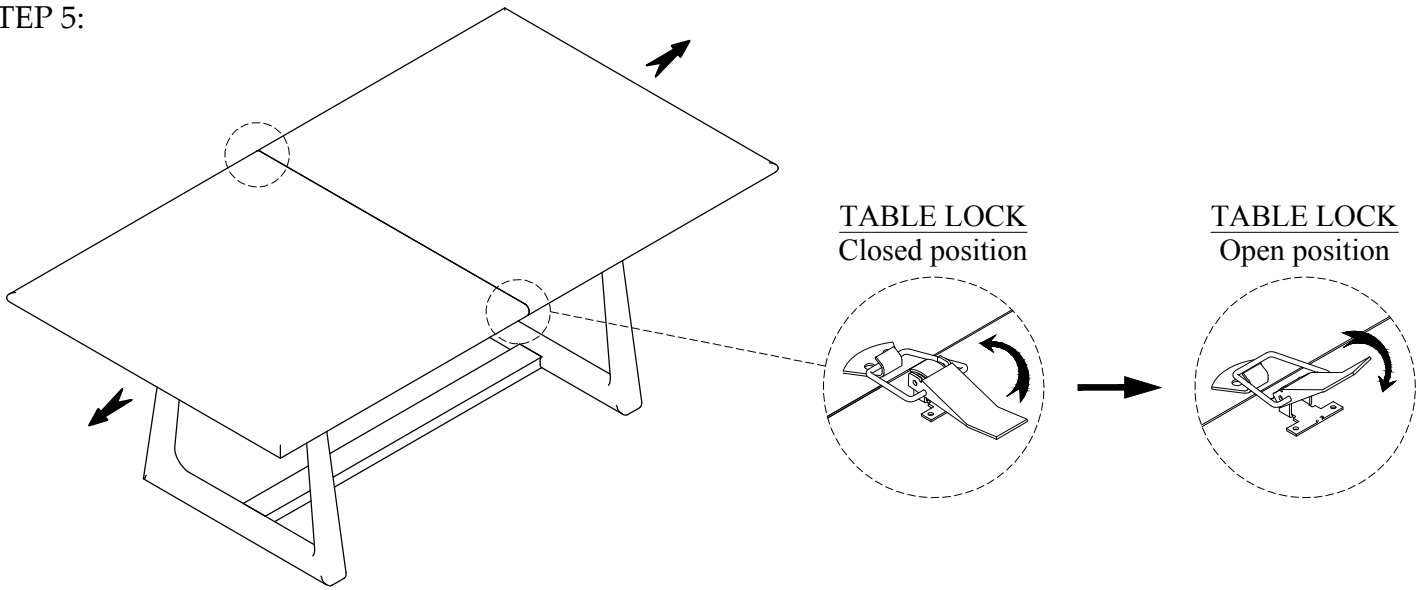
STEP 3: Do not fully tighten all bolts



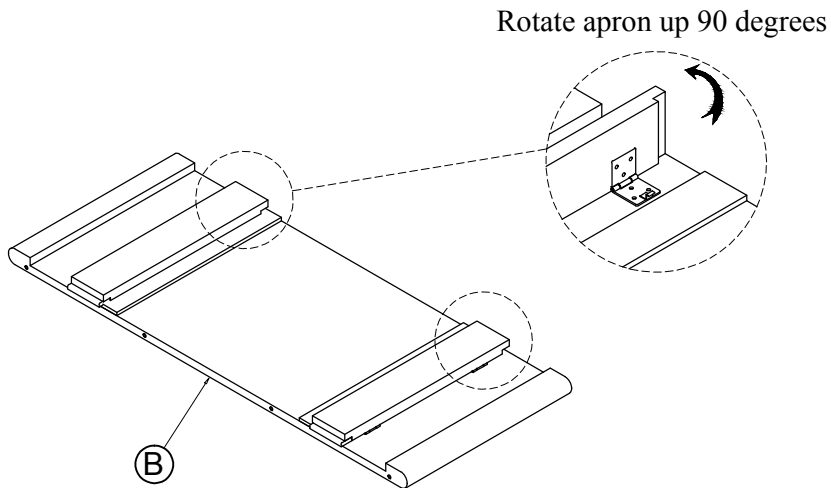
STEP 4: Using the Allen Key to tighten all bolts



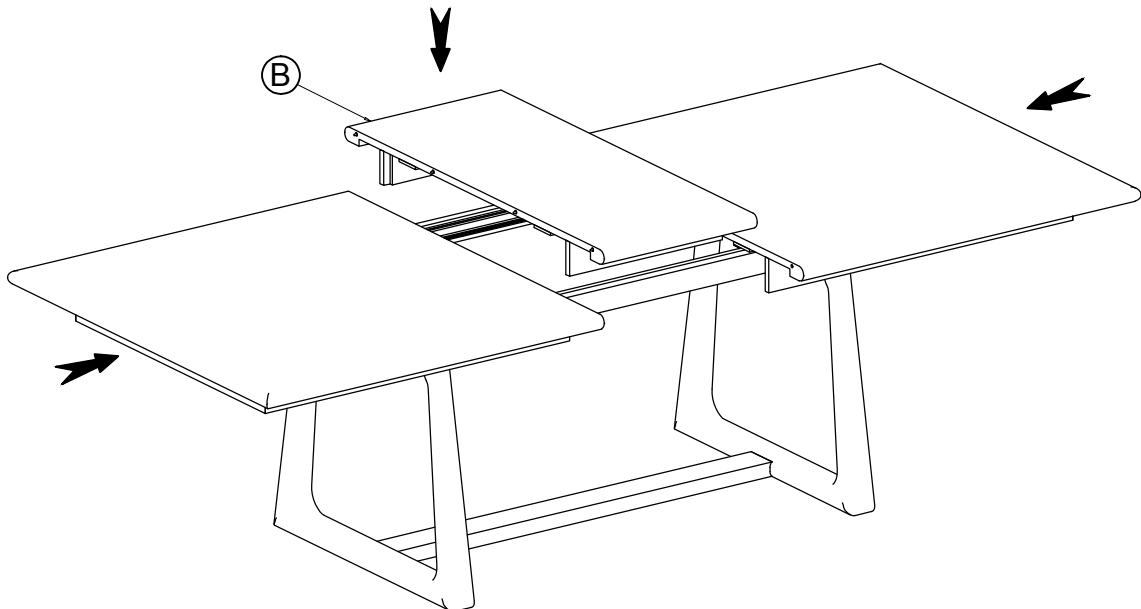
STEP 5:



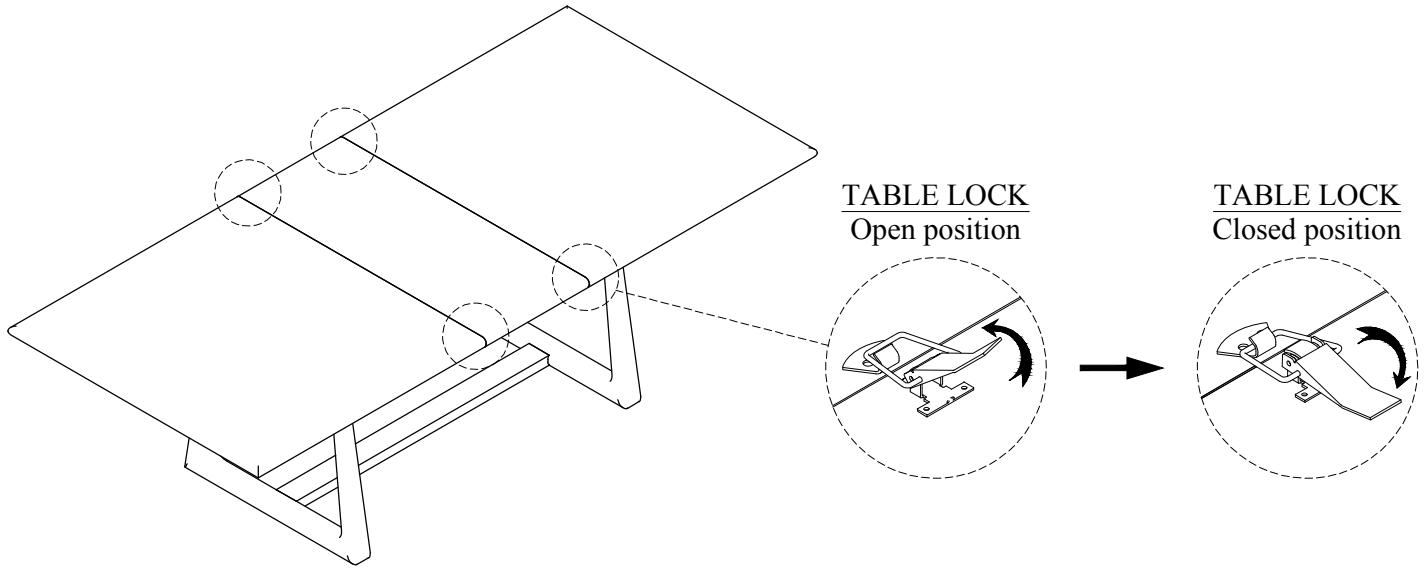
STEP 6:



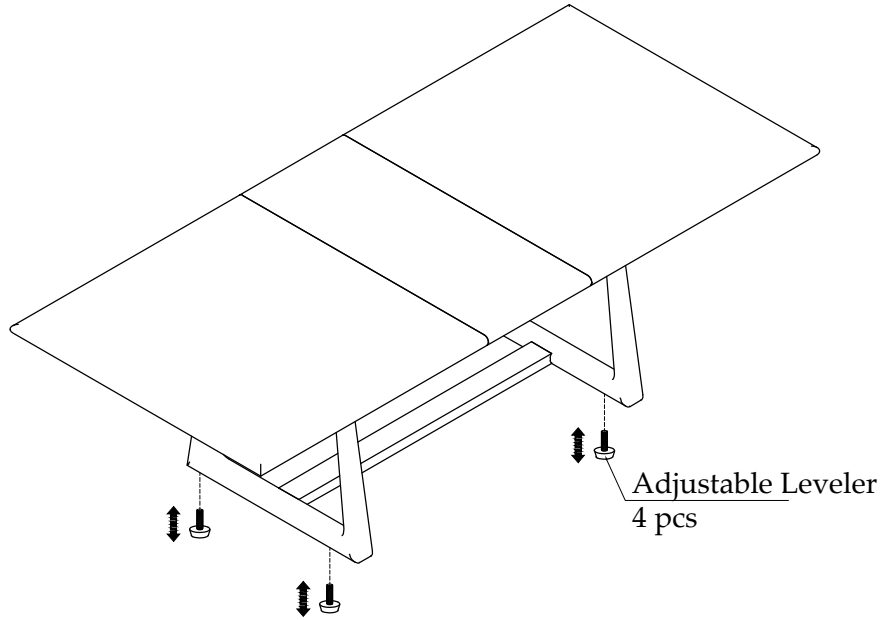
STEP 7:



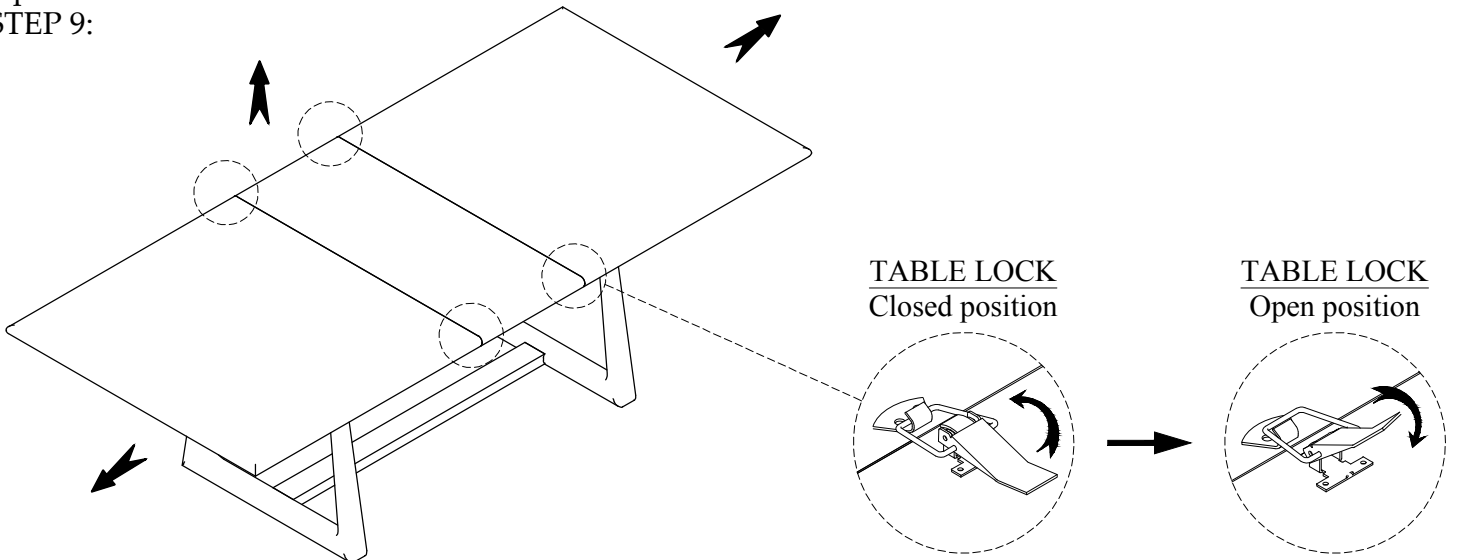
STEP 8:



Complete

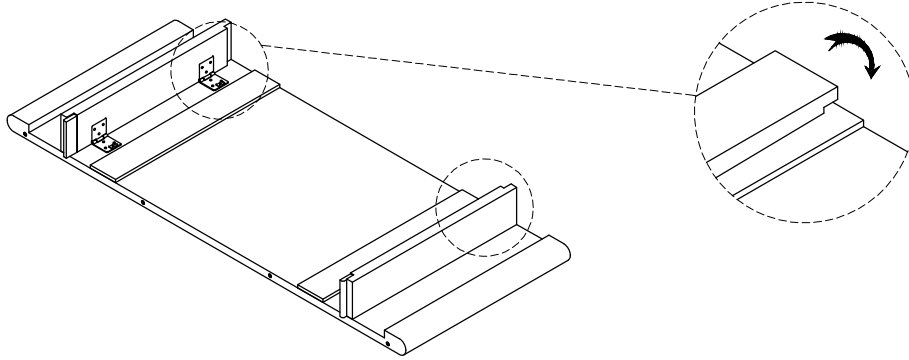


Option 2  
STEP 9:

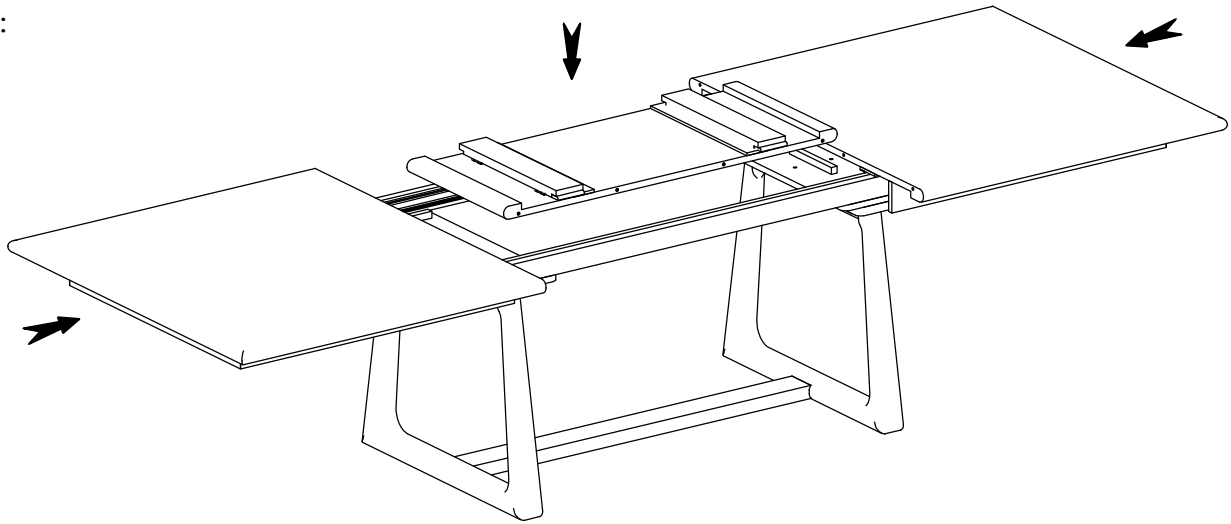


STEP 10:

Rotate apron down 90 degrees



STEP 11:



STEP 12:

