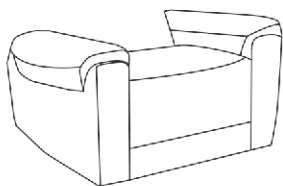


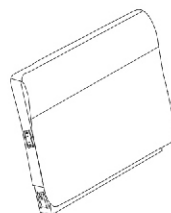
# CALGARY RECLINER

## ASSEMBLY INSTRUCTIONS

AX 1



B X 1



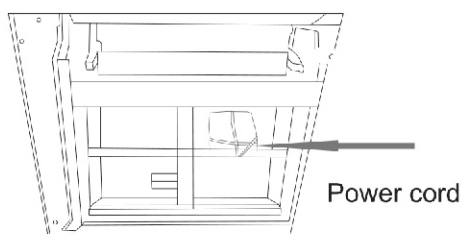
C X 1



DX 1



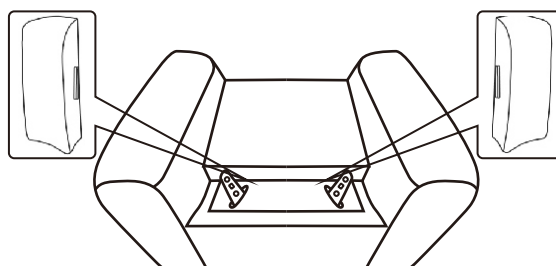
①



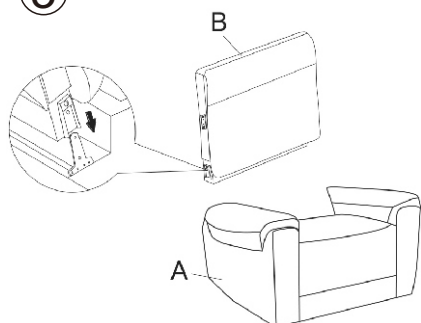
Power cord

Untie the power cord.

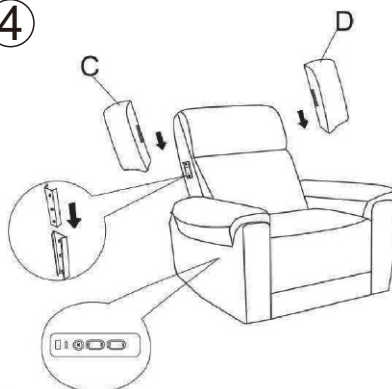
②



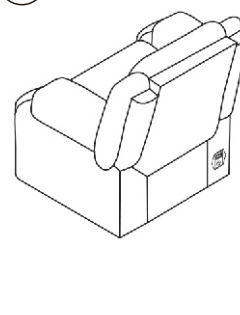
③



④

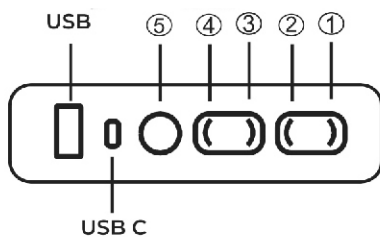


⑤

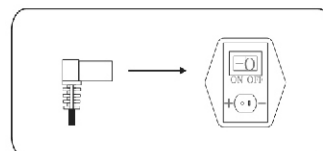


Wall Plug Transformer

Connect wall plug transformer to transformer switch  
wall plug transformer to Transformer  
Power Switch



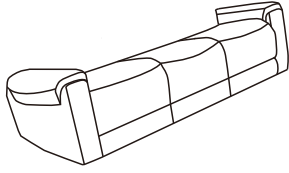
1. Press button ① Leg Rest Open
2. Press button ② Leg Rest Close
3. Press button ③ Headrest Forward
4. Press button ④ Headrest Back
5. Home button ⑤ All close



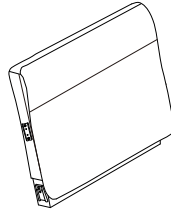
# CALGARY SOFA

## ASSEMBLY INSTRUCTIONS

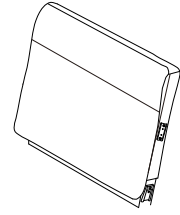
AX 1



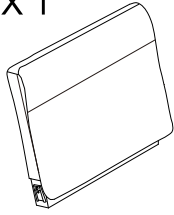
BX 1



CX 1



DX 1



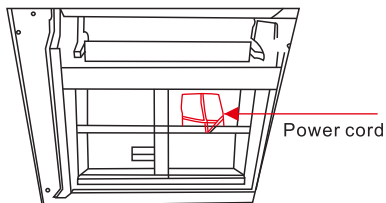
EX 1



FX 1

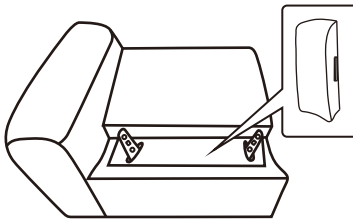


1

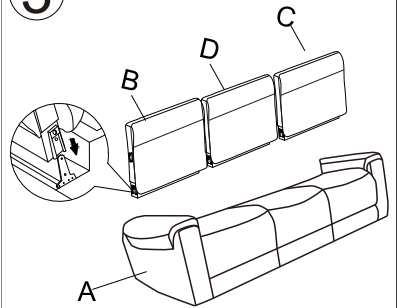


Untie the power cord.

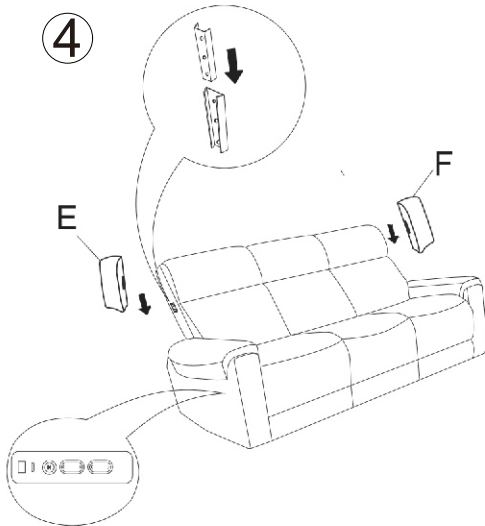
2



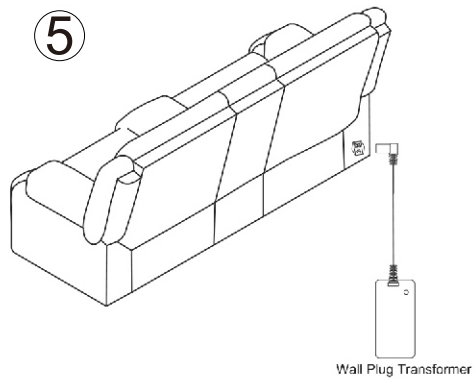
3



4

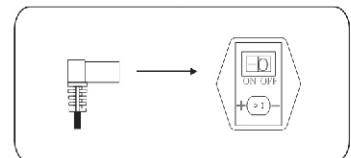


5

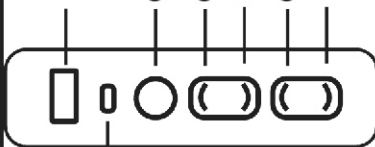


Wall Plug Transformer

Connect wall plug transformer to transformer switch.  
wall plug transformer to Transformer Power Switch



USB 5 4 3 2 1



USB C

1. Press button 1 Leg Rest Open
2. Press button 2 Leg Rest Close
3. Press button 3 Headrest Forward
4. Press button 4 Headrest Back
5. Home button 5 All close