



Parker Living  
A Division of Parker House

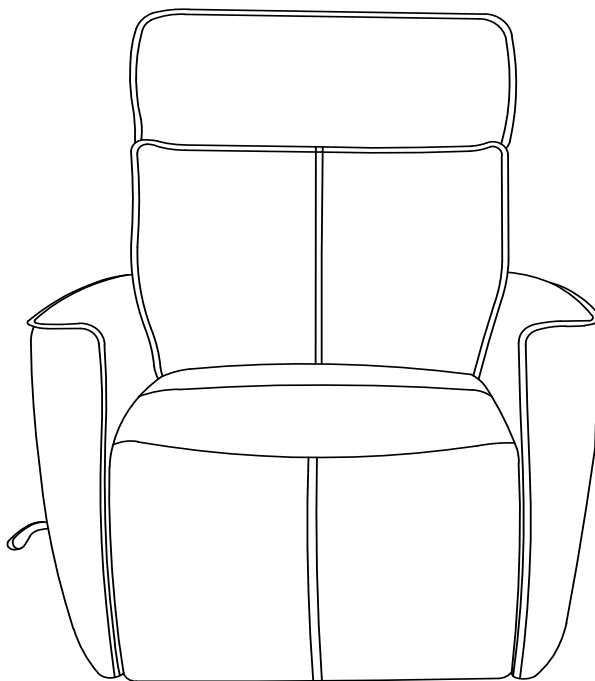
# Assembly Instructions

## Roxy Glider Recliner

### BEFORE ASSEMBLY






Thank you for purchasing this quality product. This product has been designed for easy assembly and constructed for durability. Please take the time to read and follow the assembly instructions carefully.

### Manual Swivel Glider Recliner



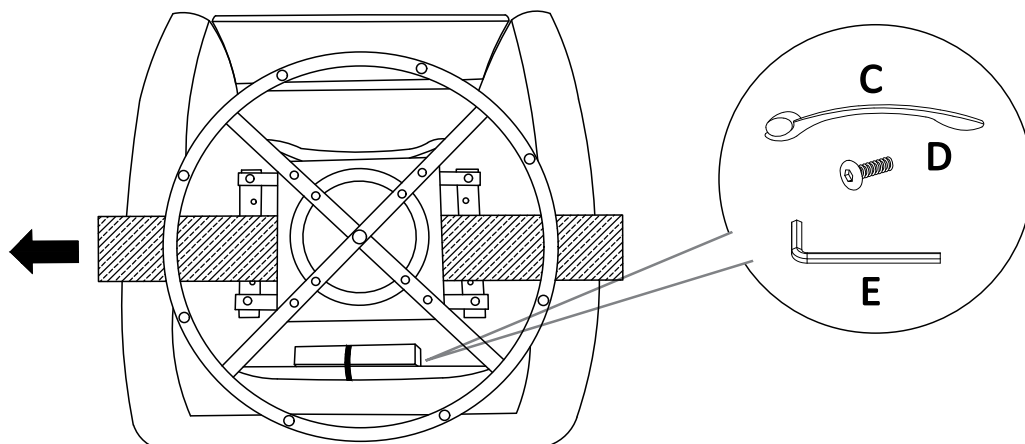
### Part List

When unpacking, please be careful not to discard any parts with the packaging. Before continuing, please make sure you have the following parts:

No	Description	Sketch	Qty
A	Body		1 PC
B	Back cushion		1 PC
C	Recliner Release Handle		1 PC
D	Screw		1 PC
E	hex wrench		1 PC

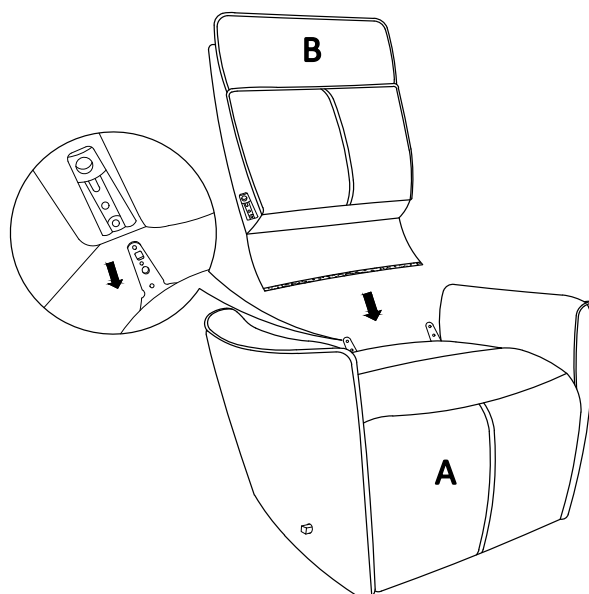
## Step 1

1. Inspect the bottom of Body (A) and remove the wooden board securing the mechanism for transport.
2. Remove the hardware package secured underneath the Body (A).



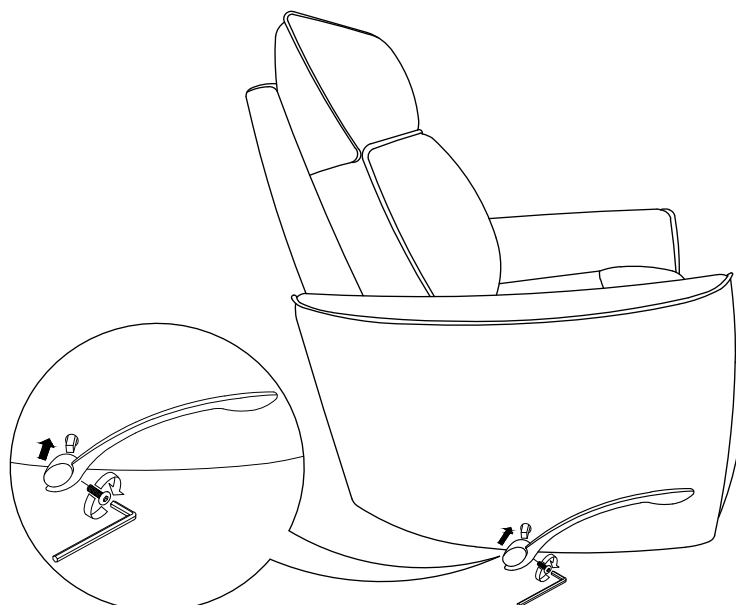
## Step 2

Install the back cushion (B) into the body (A) by positioning the female metal receiver brackets over the male metal posts. Ensure that the female metal receives brackets on each side line up with the seat metal posts. Push the backrest down until each side is locked into place and an audible "click" is heard;



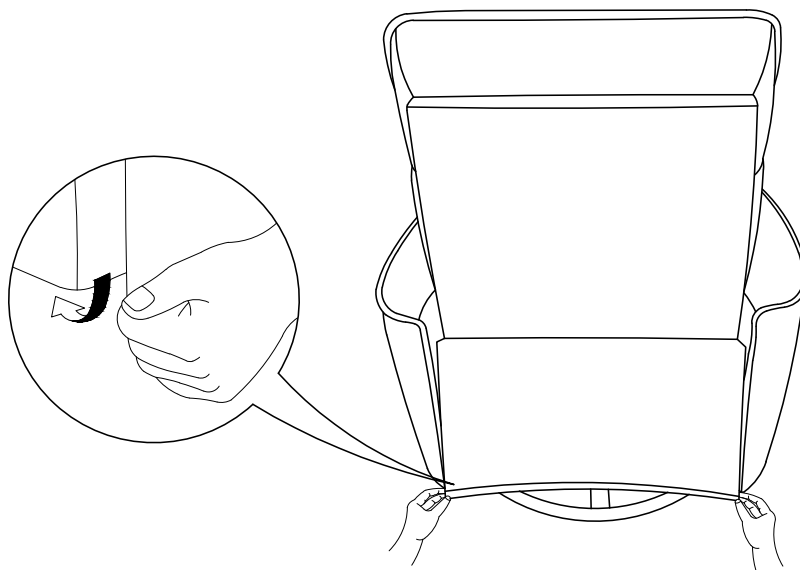
## Step 3

Attach the handle to the shaft connected to the footrest release mechanism on the side of the chair. Secure the handle by inserting the screw into the pre-threaded hole and tightening it with an Allen wrench until the handle is firmly fixed in the correct operating position.

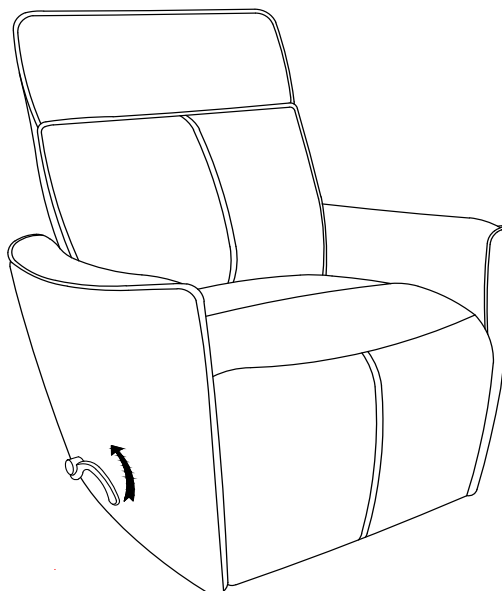


## Step 4

1. Attach the flap to the seat frame by pulling the flap down, and pressing the bottom under the seat base, connecting the velcro.



2. Pull the handle gently backward to open the footrest and enjoy.



## Function Display

