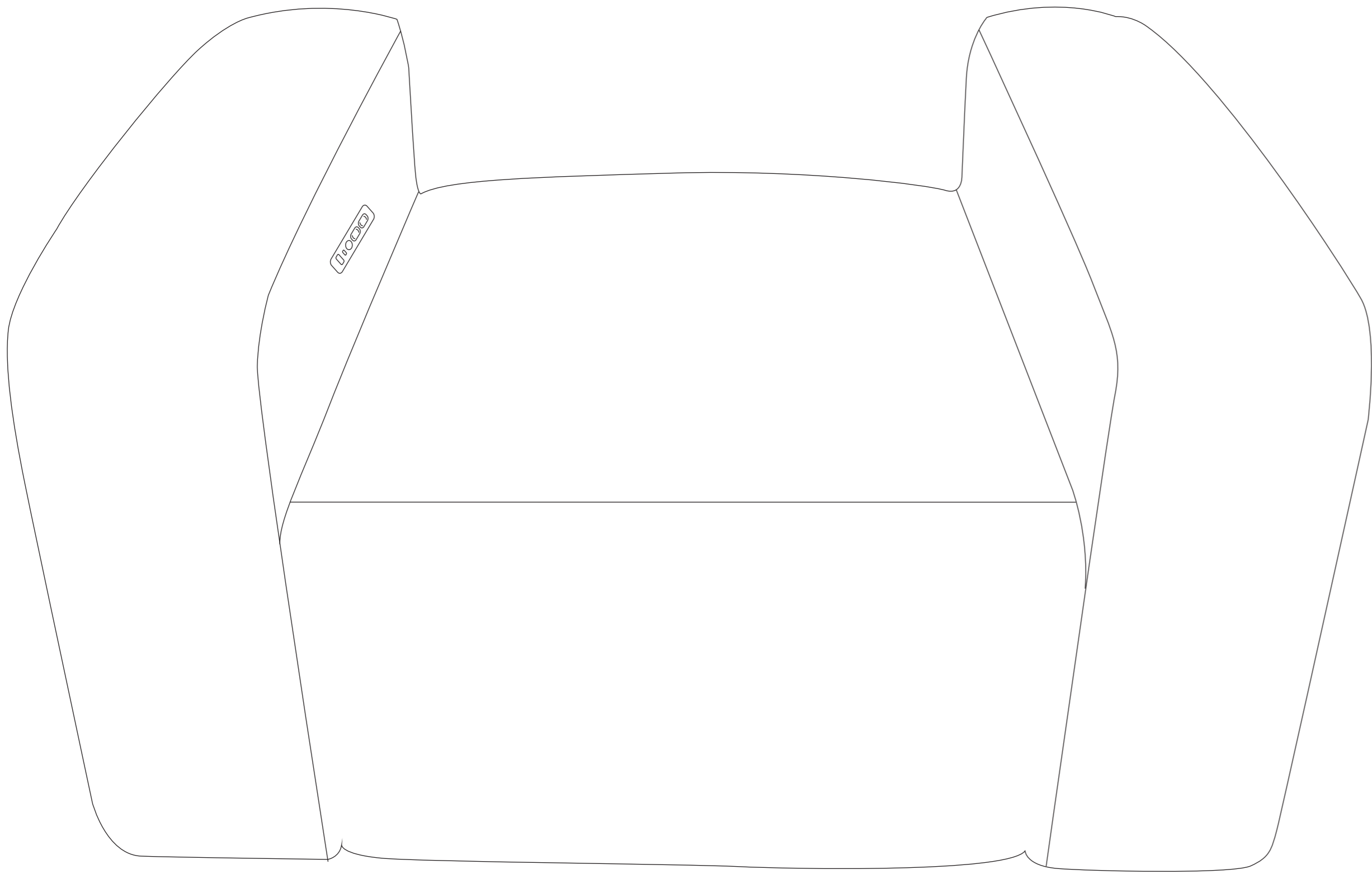


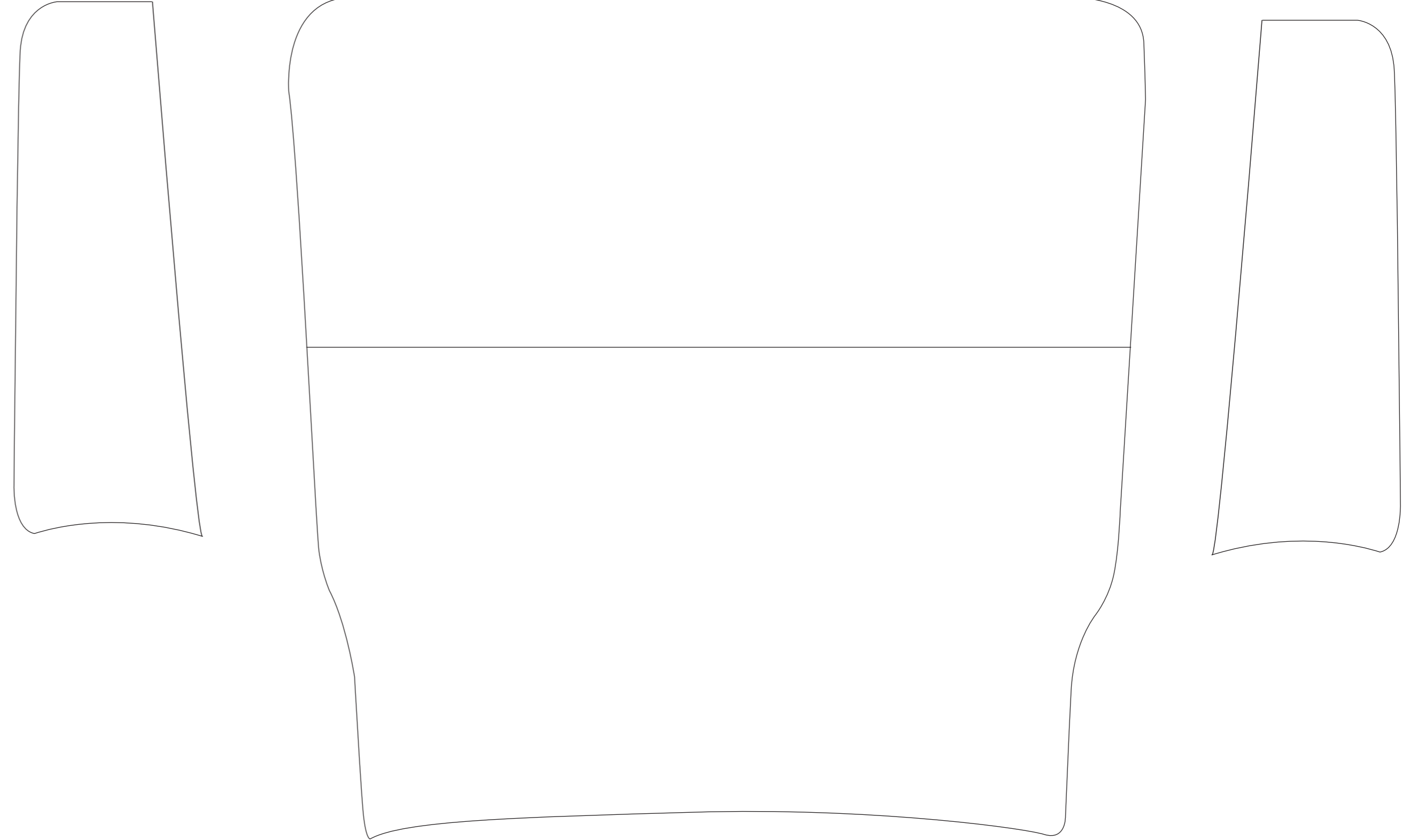
LANCASTER RECLINER

ASSEMBLY INSTRUCTIONS

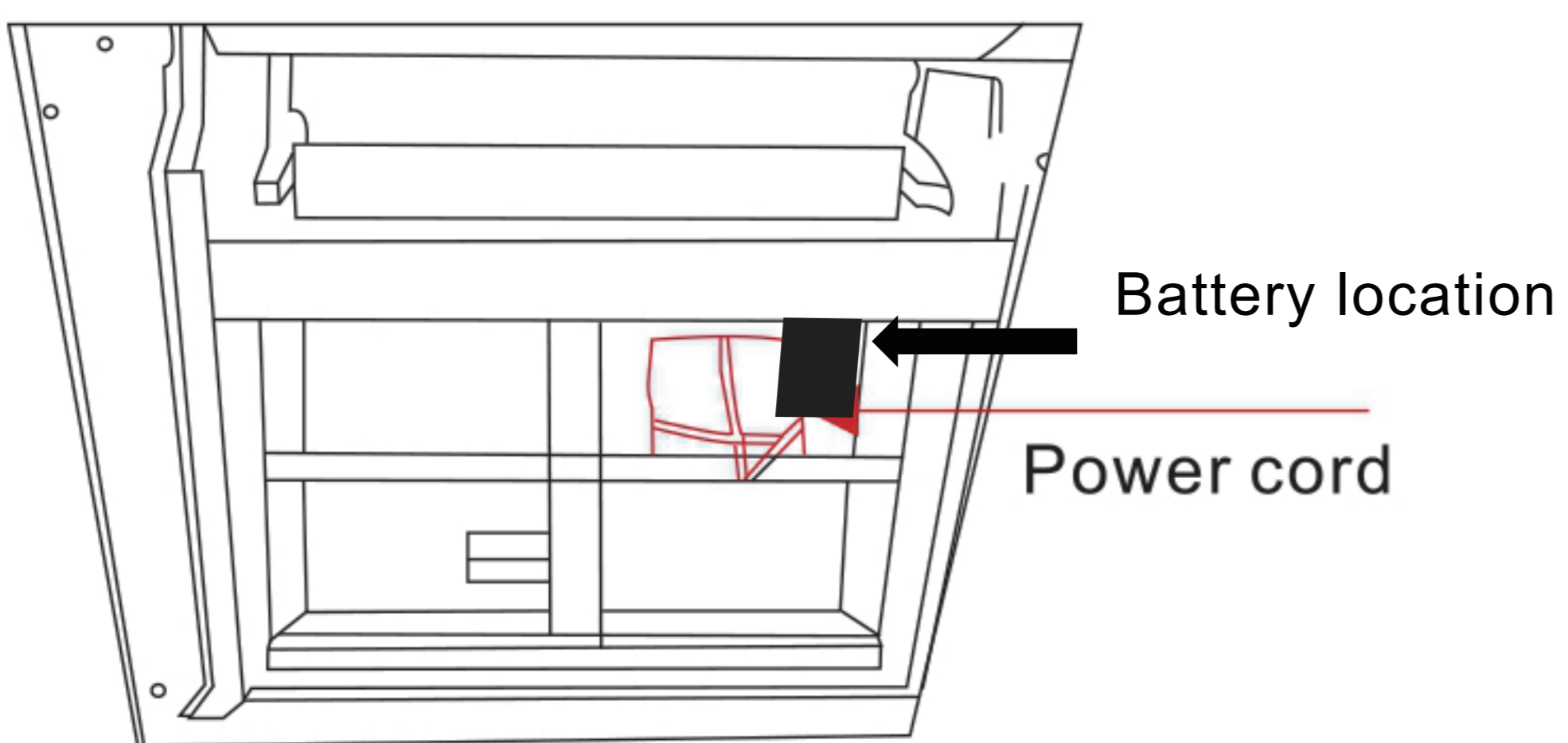
A X 1



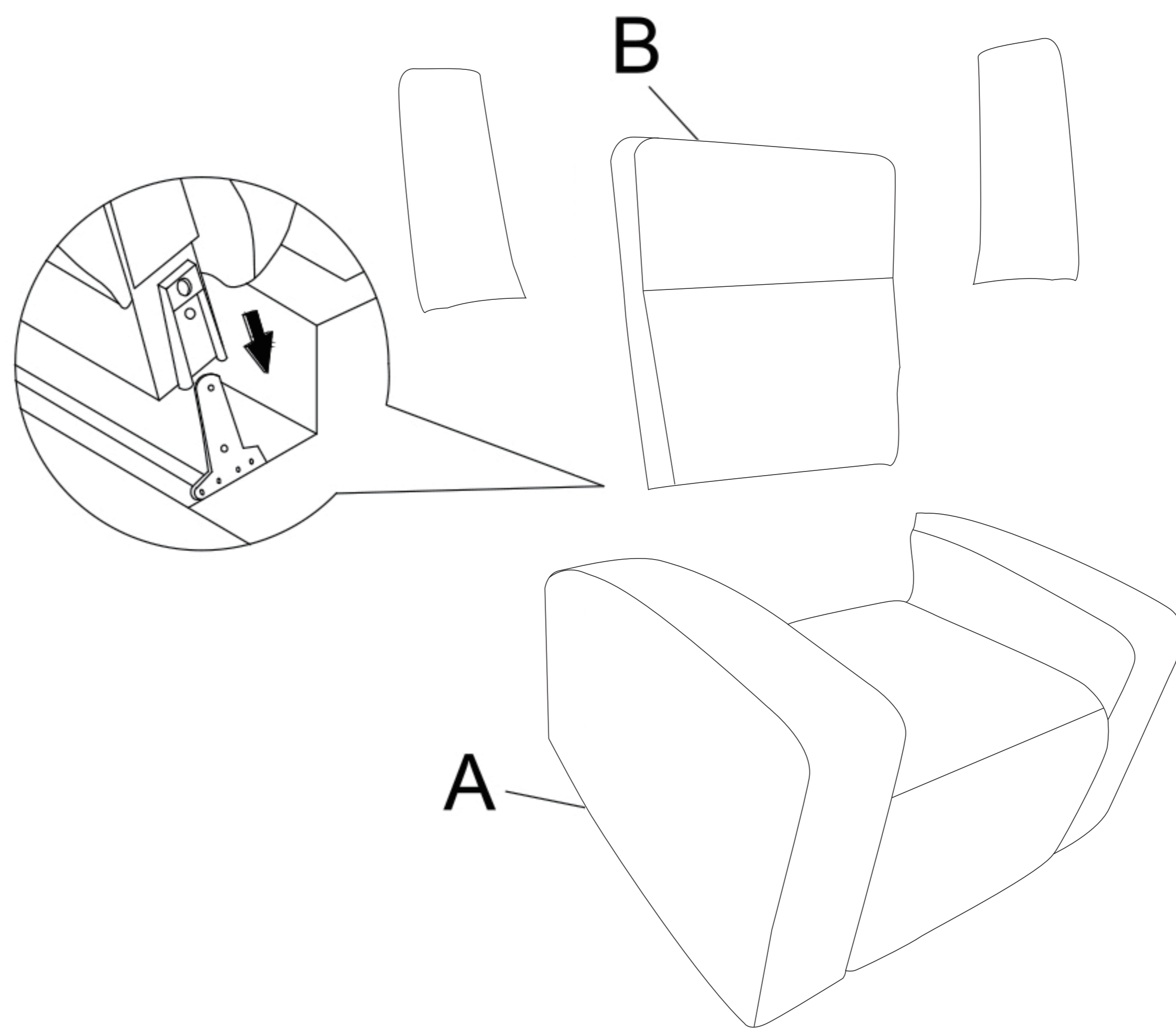
B X 1



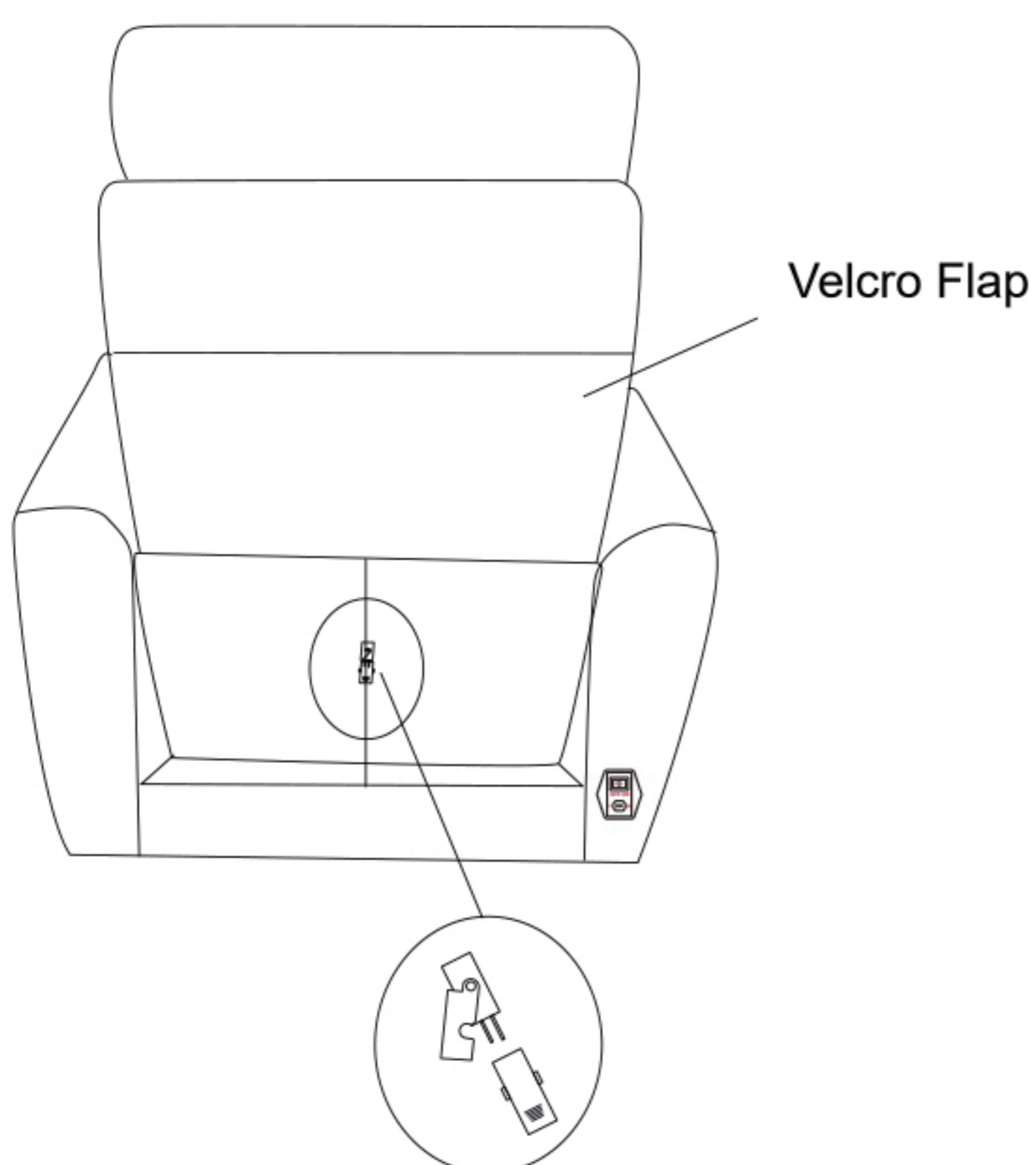
- 1** Untie the power cord before removing the product from the carton.



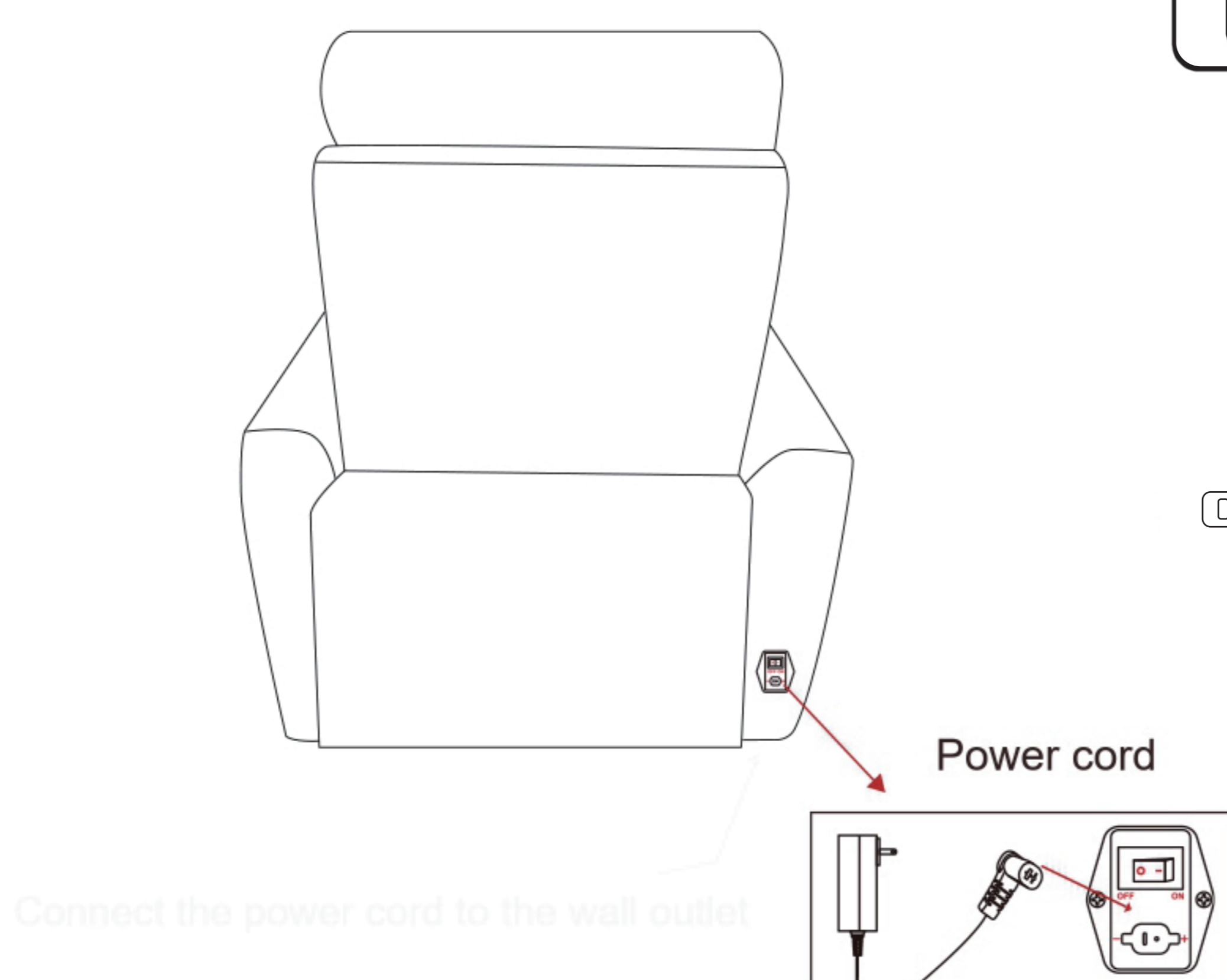
- 2** Connecting part.



- 3** Connect two cables as shown.



- 4** Connecting the power cord.



- 5**

