



Assembly Instructions

Item No: BBRE-QHB-PNL Queen 5/0 Panel Uph Hdbd
BBRE-QFB-PNL Queen 5/0 Platform Ftbd
BBRE-QKR-PNL Queen/King Platform Rails
w/ctr support & Legs

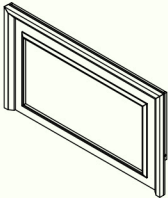
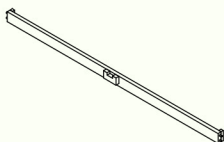






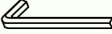
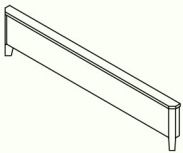
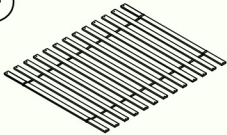

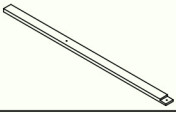



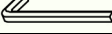

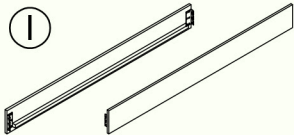



BEFORE ASSEMBLY

Thank you for purchasing this quality product. This product has been designed for easy assembly and constructed for durability. Please take time to read and follow assembly instructions carefully.

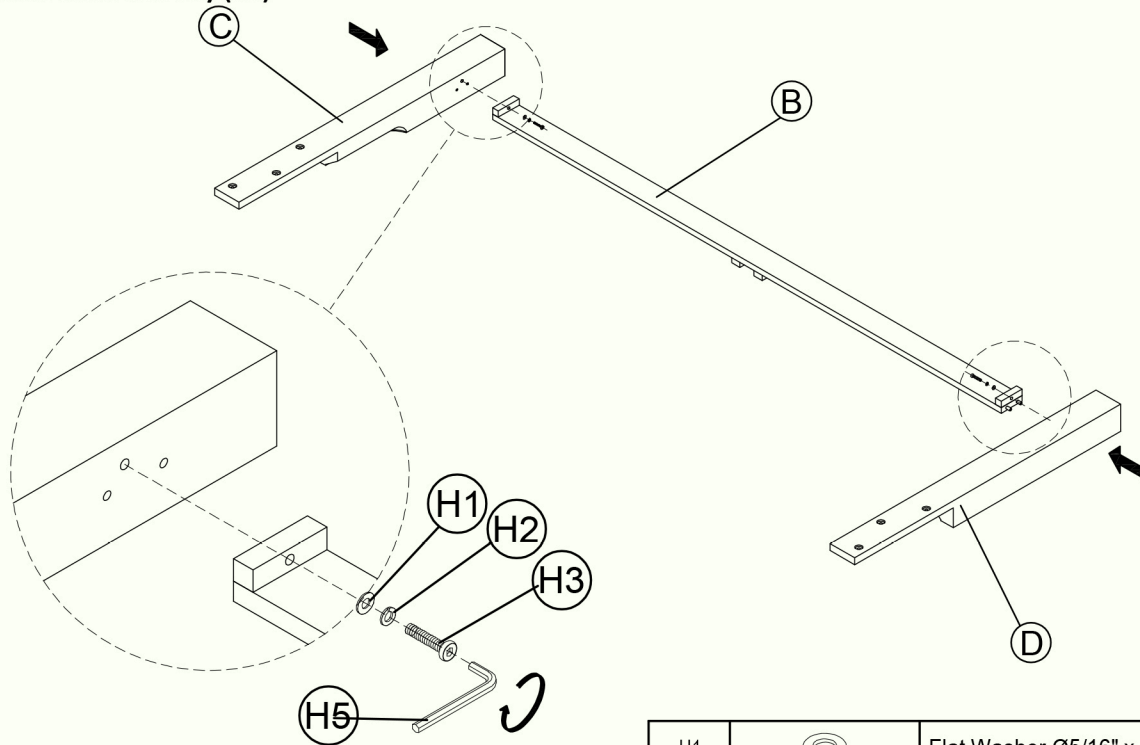
Part List




When unpacking, please be careful not to discard any parts with packaging. Before continuing, please make sure you have following parts:

PARTS LIST OF BBRE-QHB-PNL			
(A)		(B)	
Headboard Panel : 1Pc		Headboard Stretcher : 1Pc	
(C)		(D)	
Headboard Leg (Left) : 1Pc		Headboard Leg (Right) : 1Pc	
HARDWARE LIST OF BBRE-QHB-PNL			
NO.	DRAWING	DES.	
H1		Flat Washer Ø5/16" x 19mm	14Pcs
H2		Spring Washer Ø5/16"	14Pcs
H3		Bolt Ø5/16" x1-3/4"	8Pcs
H4		Bolt Ø5/16" x1-1/4"	6Pcs
H5		Allen key 4mm	1Pc
PARTS LIST OF BBRE-QFB-PNL			
(E)		(F)	
Footboard Panel: 1Pc		Slats : 1Set	
(G)		(H)	
Support Legs : 3Pcs		Center Support Slats: 2Pcs	
HARDWARE LIST OF BBRE-QFB-PNL			
NO.	DRAWING	DES.	
H6		Flat Washer Ø5/16" x 19mm	9Pcs
H7		Spring Washer Ø5/16"	9Pcs
H8		Bolt Ø5/16" x1-1/4"	9Pcs
H9		Allen key 4mm	1Pc
H10		Wood Screw #8 x 1-3/16"	26Pcs
PARTS LIST OF BBRE-QKR-PNL			
(I)		(K)	
Side Rails : 2Pcs		Leveler : 3Pcs	

Step 1

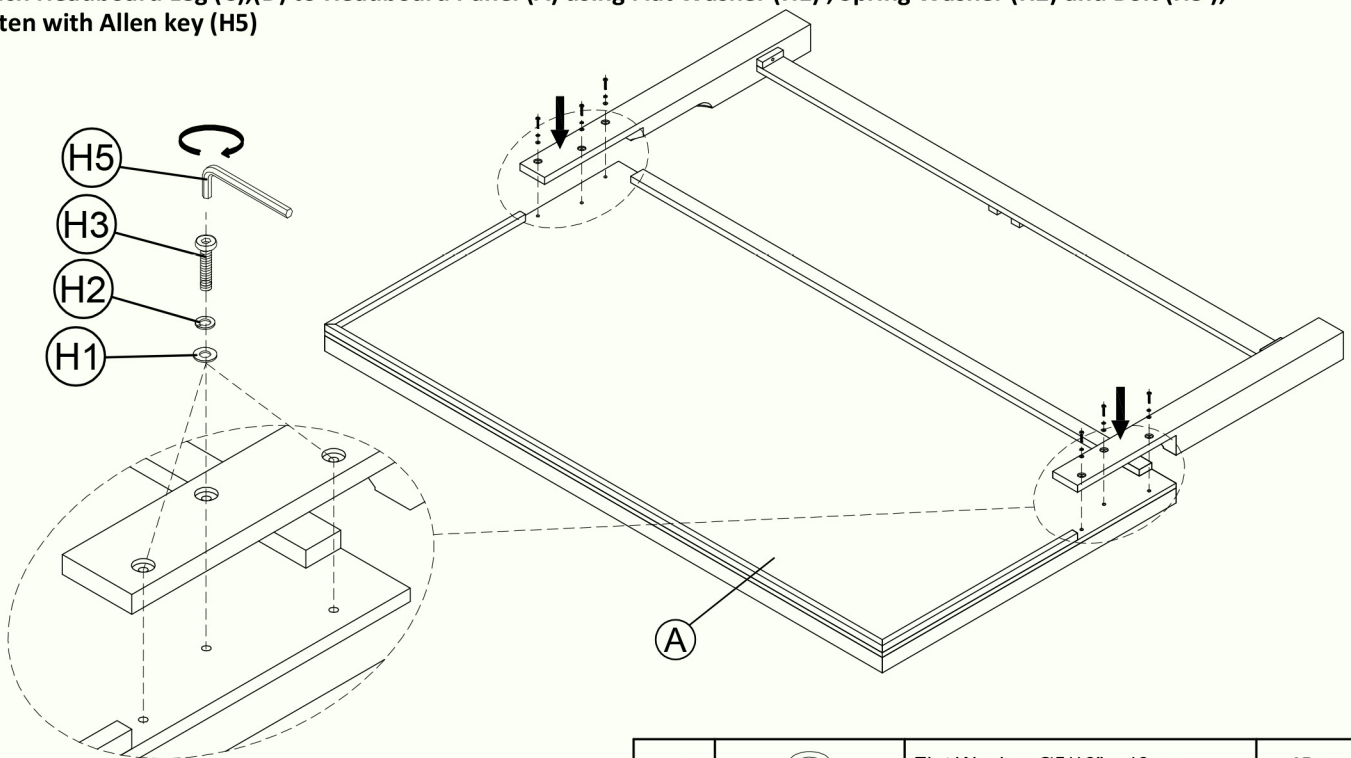
Attach Stretcher (B) to Headboard Leg (C),(D) using Flat Washer (H1) , Spring Washer (H2) and Bolt (H3) , tighten with Allen key (H5)



H1		Flat Washer Ø5/16" x 19mm	2Pcs
H2		Spring Washer Ø5/16"	2Pcs
H3		Bolt Ø5/16" x1-3/4"	2Pcs
H5		Allen key 4mm	1Pc

Step 2

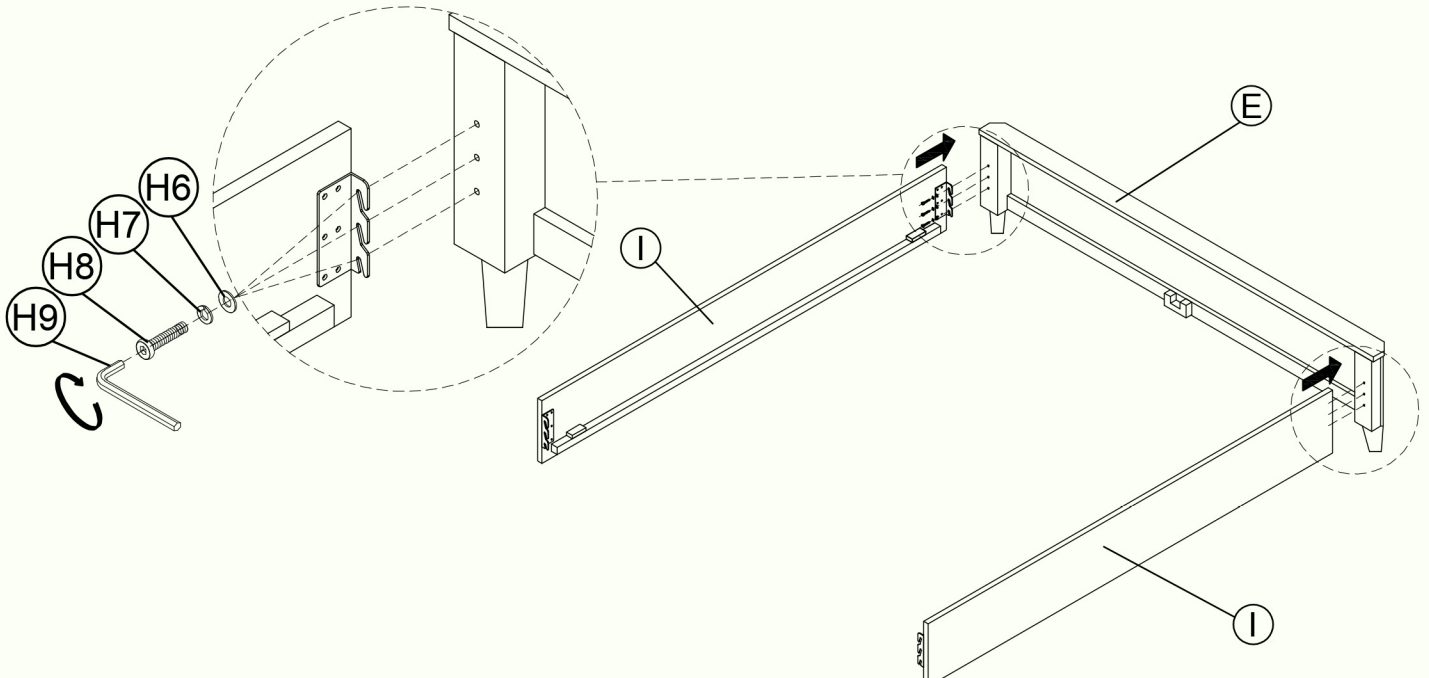
Attach Headboard Leg (C),(D) to Headboard Panel (A) using Flat Washer (H1) , Spring Washer (H2) and Bolt (H3) , tighten with Allen key (H5)






H1		Flat Washer Ø5/16" x 19mm	6Pcs
H2		Spring Washer Ø5/16"	6Pcs
H3		Bolt Ø5/16" x1-3/4"	6Pcs
H5		Allen key 4mm	1Pc

Step 3

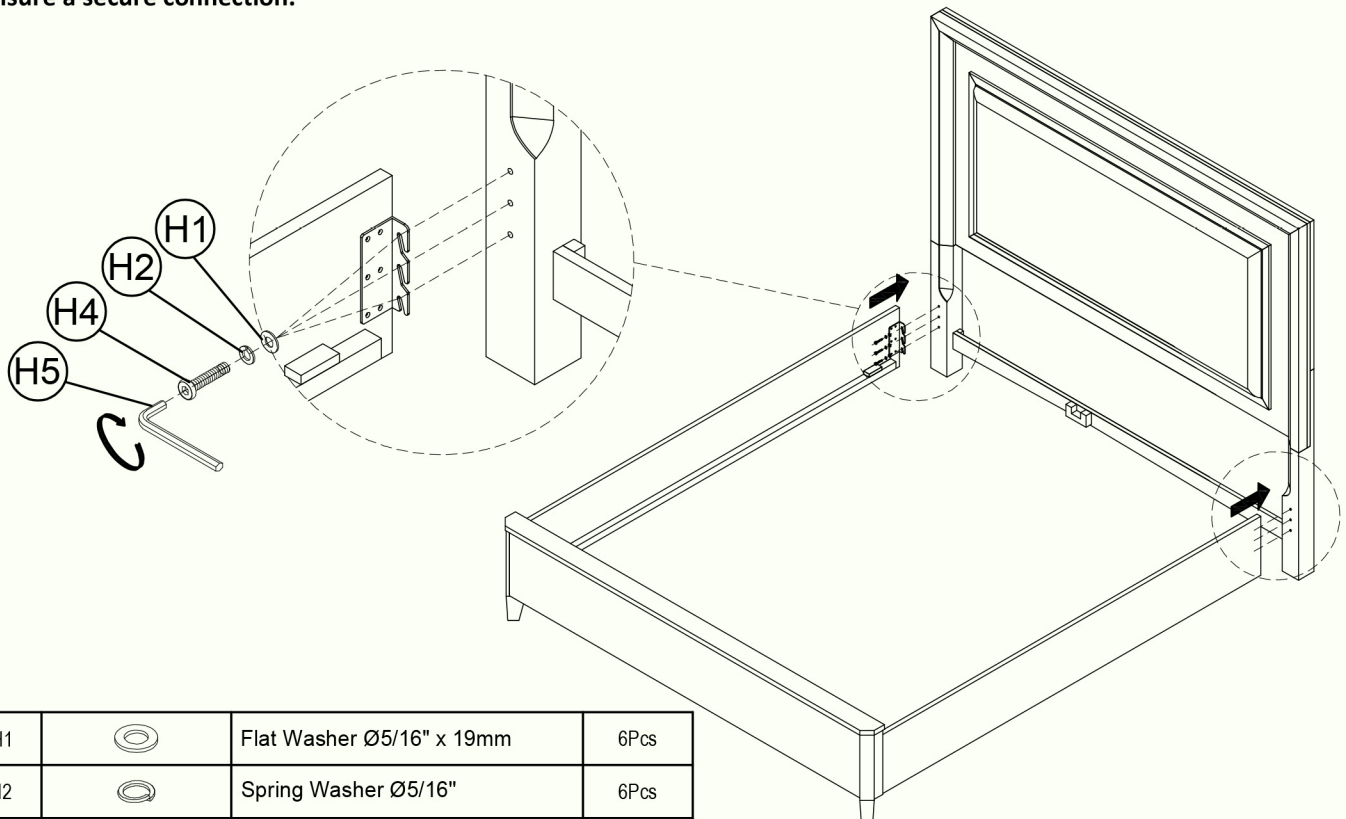
Hang Side Rails corner brackets on pre-installed loose bolts at Footboard Panel. Then tighten bolts with Allen key (H9) to ensure a secure connection.



H6		Flat Washer Ø5/16" x 19mm	6Pcs
H7		Spring Washer Ø5/16"	6Pcs
H8		Bolt Ø5/16" x 1-1/4"	6Pcs
H9		Allen key 4mm	1Pc

Step 4

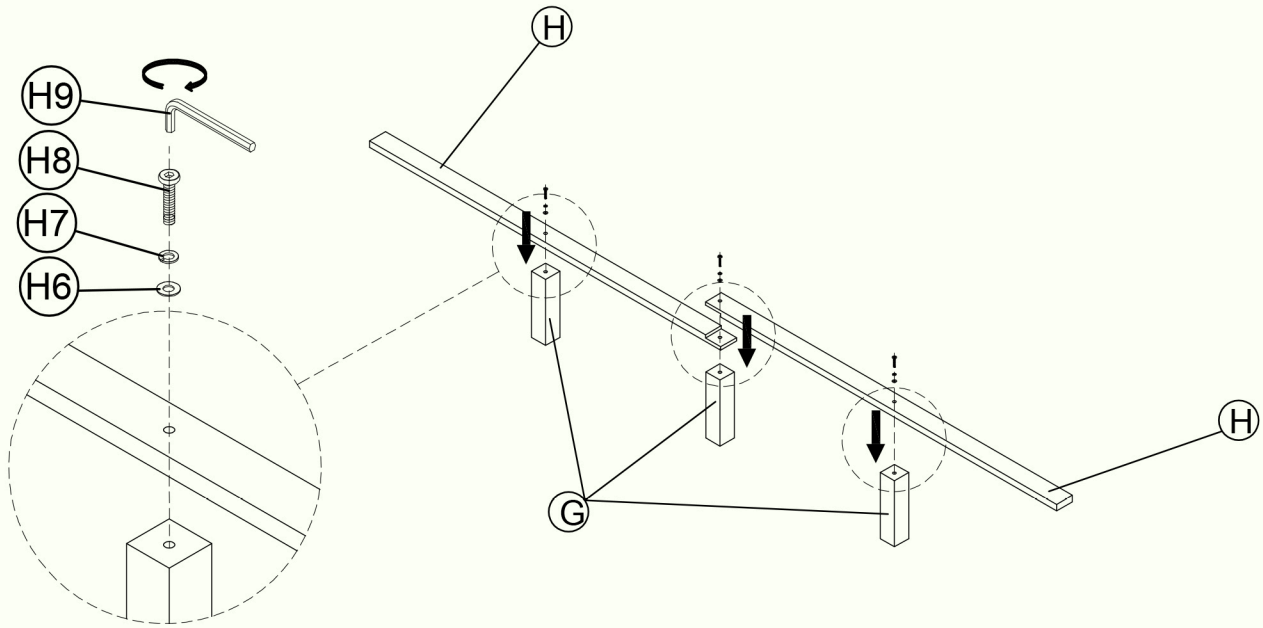
Hang Side Rails corner brackets on pre-installed loose bolts at Headboard Legs. Then tighten bolts with Allen key (H5) to ensure a secure connection.



H1		Flat Washer Ø5/16" x 19mm	6Pcs
H2		Spring Washer Ø5/16"	6Pcs
H4		Bolt Ø5/16" x 1-1/4"	6Pcs
H5		Allen key 4mm	1Pc

Step 5

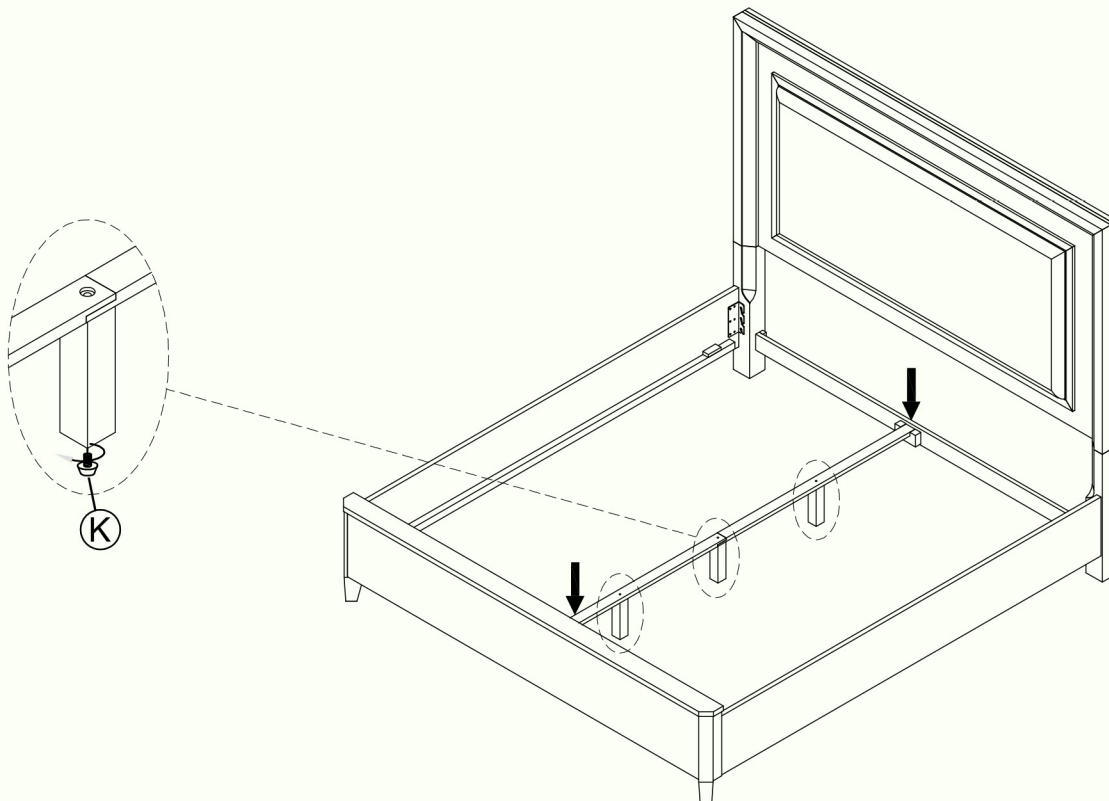
Attach Support Legs (G) to Center Support Slats (H), using Flat Washer (H6) , Spring Washer (H7) and Bolt (H8) , tighten with Allen key (H9)



H6		Flat Washer Ø5/16" x 19mm	3Pcs
H7		Spring Washer Ø5/16"	3Pcs
H8		Bolt Ø5/16" x1-1/4"	3Pcs
H9		Allen key 4mm	1Pc

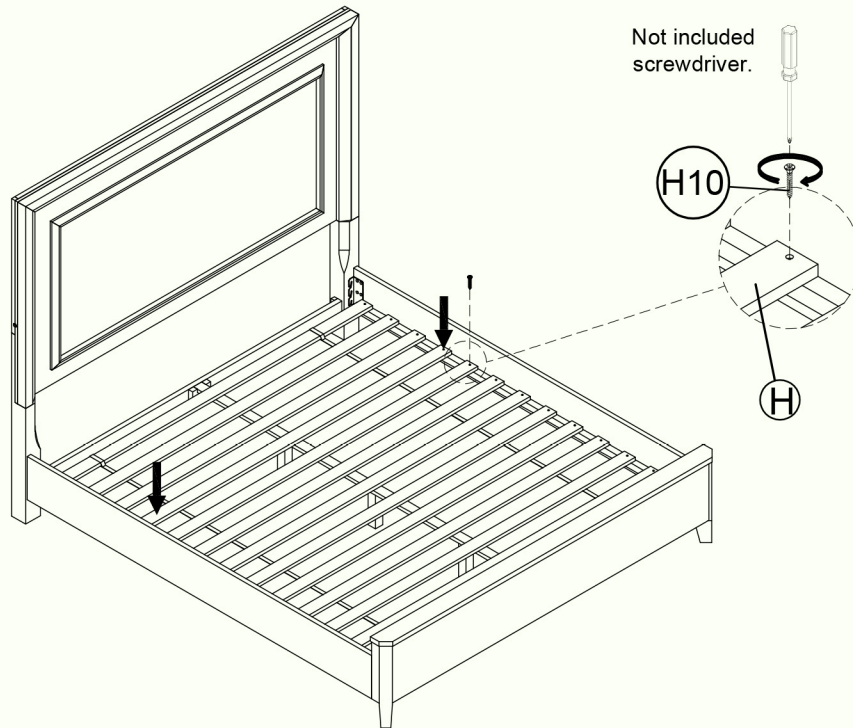
Step 6


Place support Slats into slot on Headboard stretcher and Footboard Panel



Step 7

Open rolled Slats (H) and place on top of Center Support Slats . Secure Slats using screws (H10).



H10		Wood Screw #8 x 1-3/16"	26Pcs
-----	---	-------------------------	-------

Step 8

Complete bed

