



Parker House
FURNITURE

Assembly Instruction

Item No: ASC#90H-DCH

Description: Panel Hutch/ Dark Chocolate

*Assembly requires two or more people

ASCENT

2024-03-05

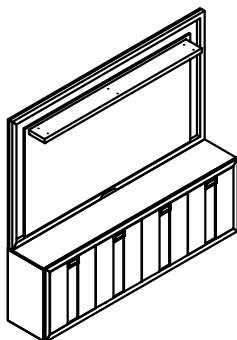
IMPORTANT SAFETY NOTICE: READ CAREFULLY BEFORE BEGINNING ASSEMBLY!

- *Always use proper tools.
- *Follow the assembly steps in order. Do not skip any steps.
- *Be sure to check all packing materials carefully for small parts may have come loose inside the carton during shipment. If parts are missing, contact the retailer from which you purchased the product to obtain any missing parts. **DO NOT USE SUBSTITUTE PARTS.**
- *Periodically check to ensure that all connectors (bolts, screws, etc.) are tight.
- *Keep the instructions for future reference.
- *Some assembly may involve attaching glass or mirrors. Be very careful handling the glass or mirrors, as severe injury may result if the glass or mirror breaks. Never handle large pieces of glass or mirrors by yourself.
- *When assembling products that have electric cords (lamps, light, etc.), always (1) make sure the electrical cord is unplugged before assembly and (2) be careful not to twist the electrical cord during assembly.
- *When assembling shelves or entertainment centers, do not stand on lower shelves in order to assemble upper shelves-use a step ladder.
- *Do not stand on tables, sit on tables or lay down on tables, including but not limited to, end tables, coffee tables, dinner tables as tables are not to support the weight of a person.
- *Where assembly instructions state that the assembly requires two or more people, do not attempt by yourself as there is a risk of injury.

NOTE : SIGNATURE DESIGN FURNITURE, LLC. DISCLAIMS ANY LIABILITY FOR DAMAGES OR INJURIES WHICH MAY OCCUR DUE TO FAILURE TO PROPERLY FOLLOW ASSEMBLY INSTRUCTIONS, PROPERLY ASSEMBLE THE PRODUCT, OR PROPERLY USE THE PRODUCT.

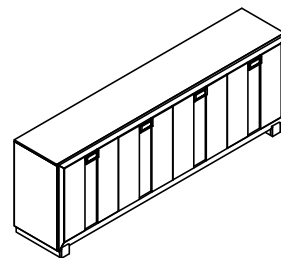
HARDWARE LIST

No	Description	Sketch	Q'TY
A	Allen Wrench 4mm		1pc
B	Lock Washer Ø1/4"		38pcs
C	Flat Washer Ø1/4"x3/4"(19mm)		38pcs
D	Bolt Ø1/4"*2-3/4"(70mm)		20pcs
E	Bolt Ø1/4"*3/4"(19mm)		18pcs
F	Shelf support		3pcs
G	Anti-tip hardware		2set
H	Allen Wrench 4mm		1pc



PARTS LIST

ASC#90-DCH 90IN.CONSOLE



ASC#90H-DCH PANEL HUTCH

Support slats (4pcs)	Back frame (1pc)
①	②
Shelf (1pc)	
③	



Parker House
FURNITURE

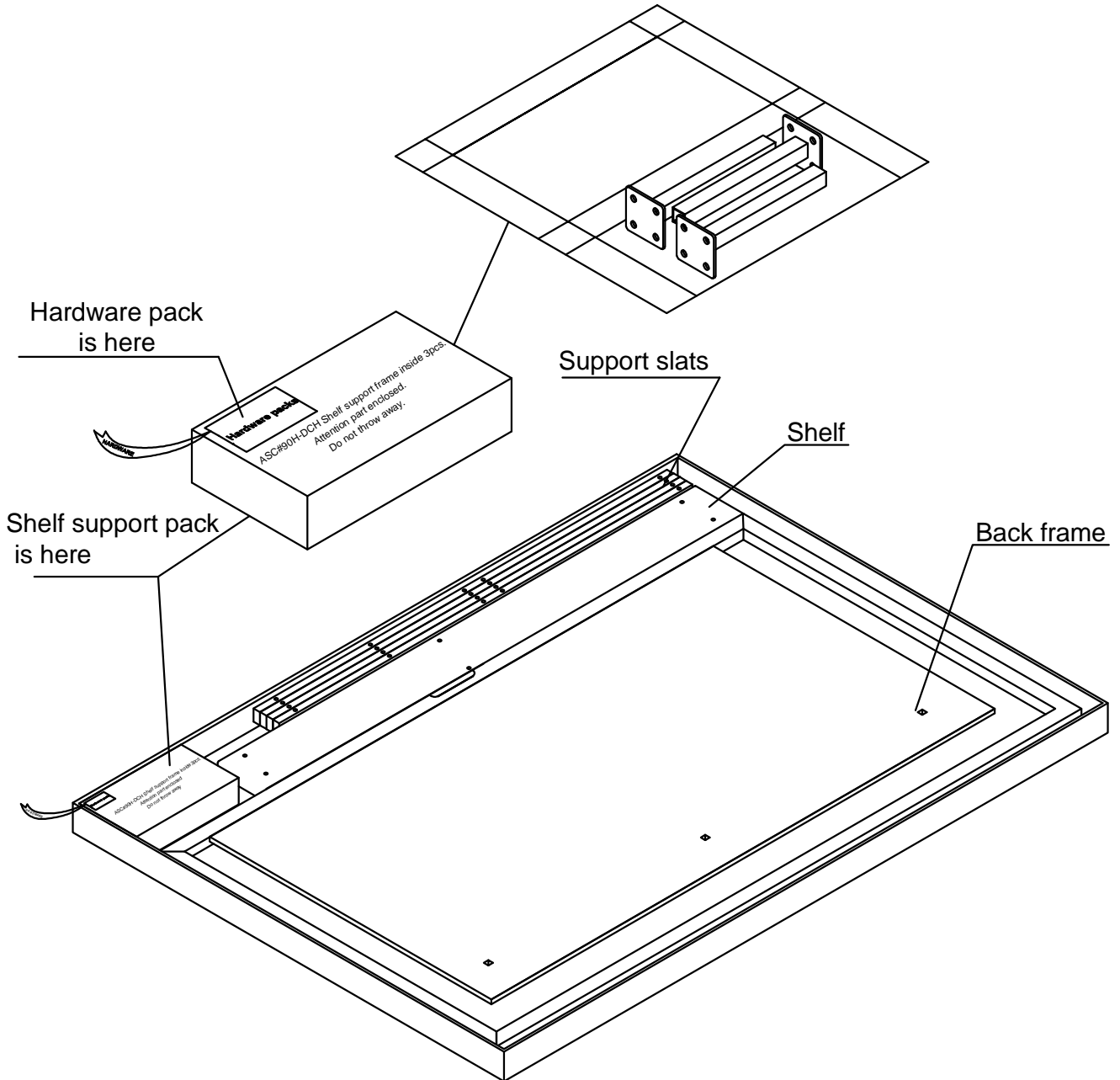
Assembly Instruction

Item No: ASC#90H-DCH
Description: Panel Hutch/ Dark Chocolate

ASCENT

2024-03-05

*Assembly requires two or more people





Parker House
FURNITURE

Assembly Instruction

Item No: ASC#90H-DCH

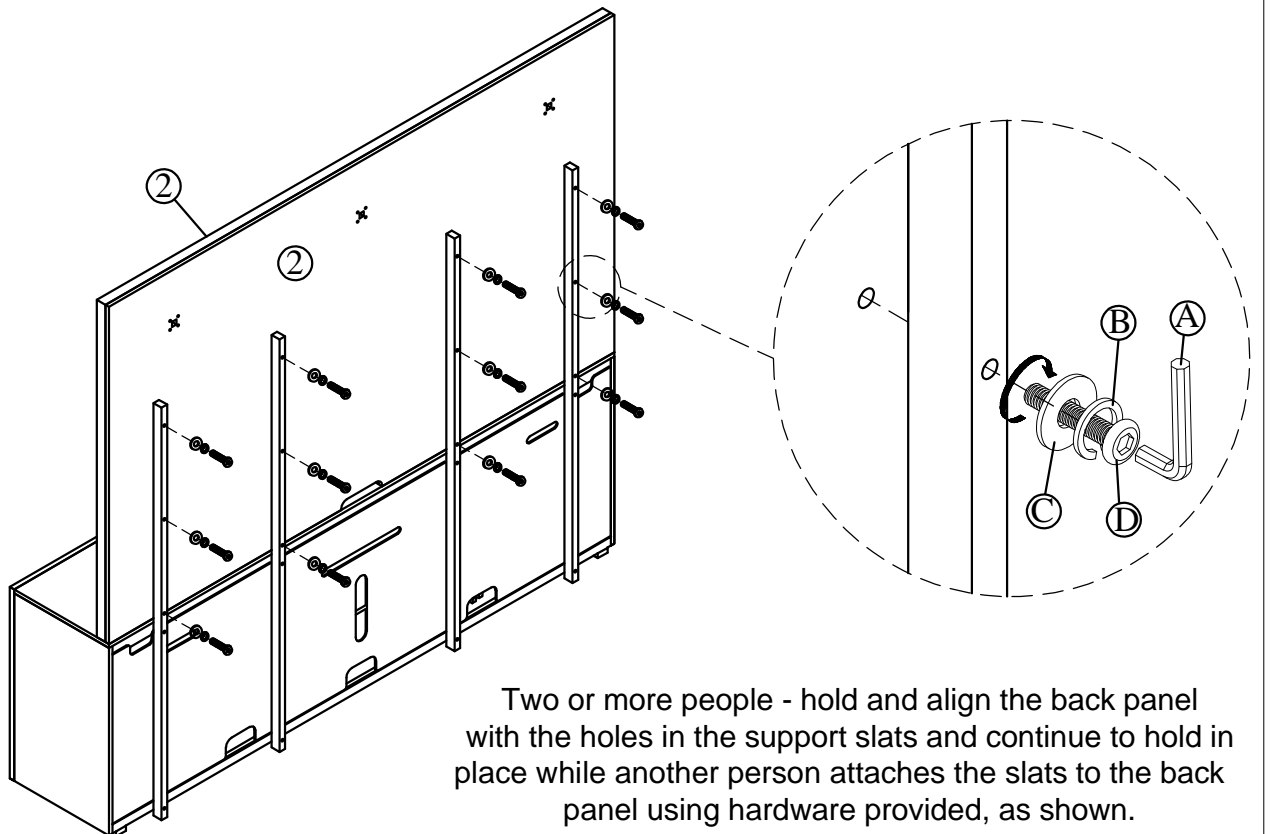
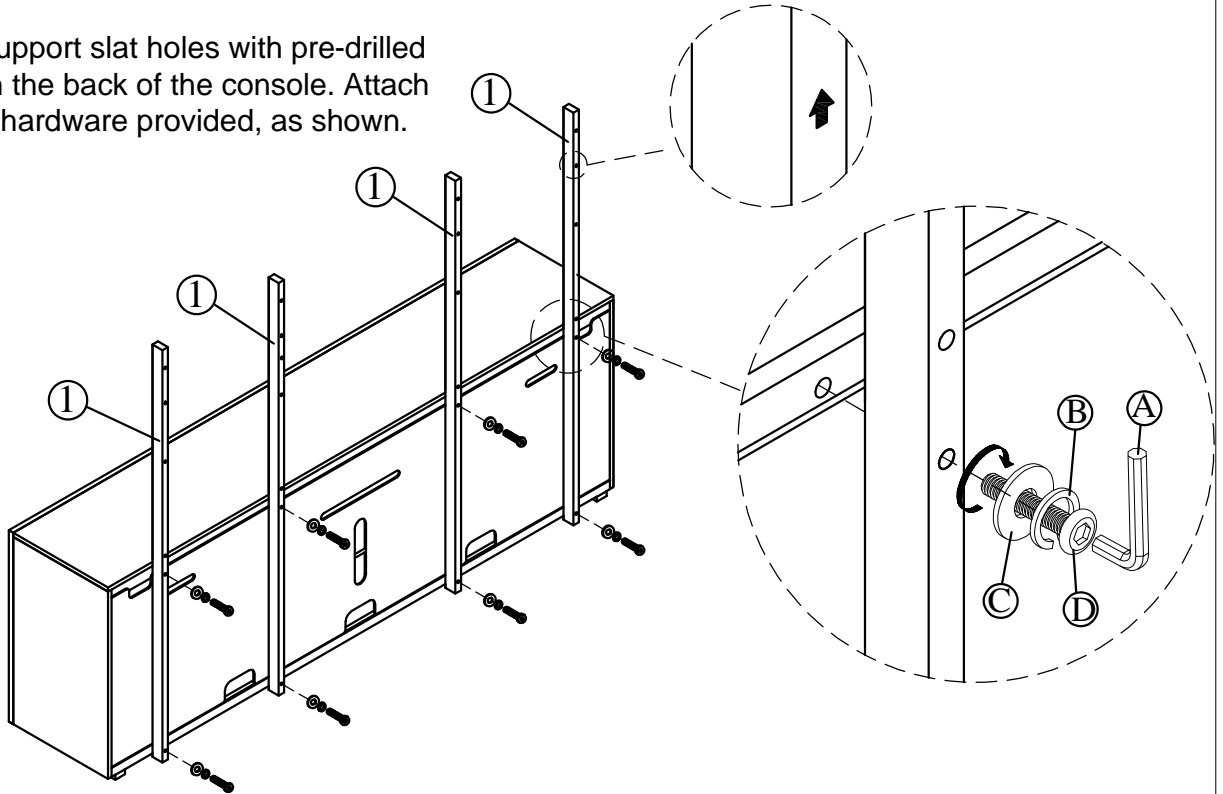
Description: Panel Hutch/ Dark Chocolate

ASCENT

2024-03-05

*Assembly requires two or more people

Align support slat holes with pre-drilled holes in the back of the console. Attach using hardware provided, as shown.



Two or more people - hold and align the back panel with the holes in the support slats and continue to hold in place while another person attaches the slats to the back panel using hardware provided, as shown.



Parker House
FURNITURE

Assembly Instruction

Item No: ASC#90H-DCH

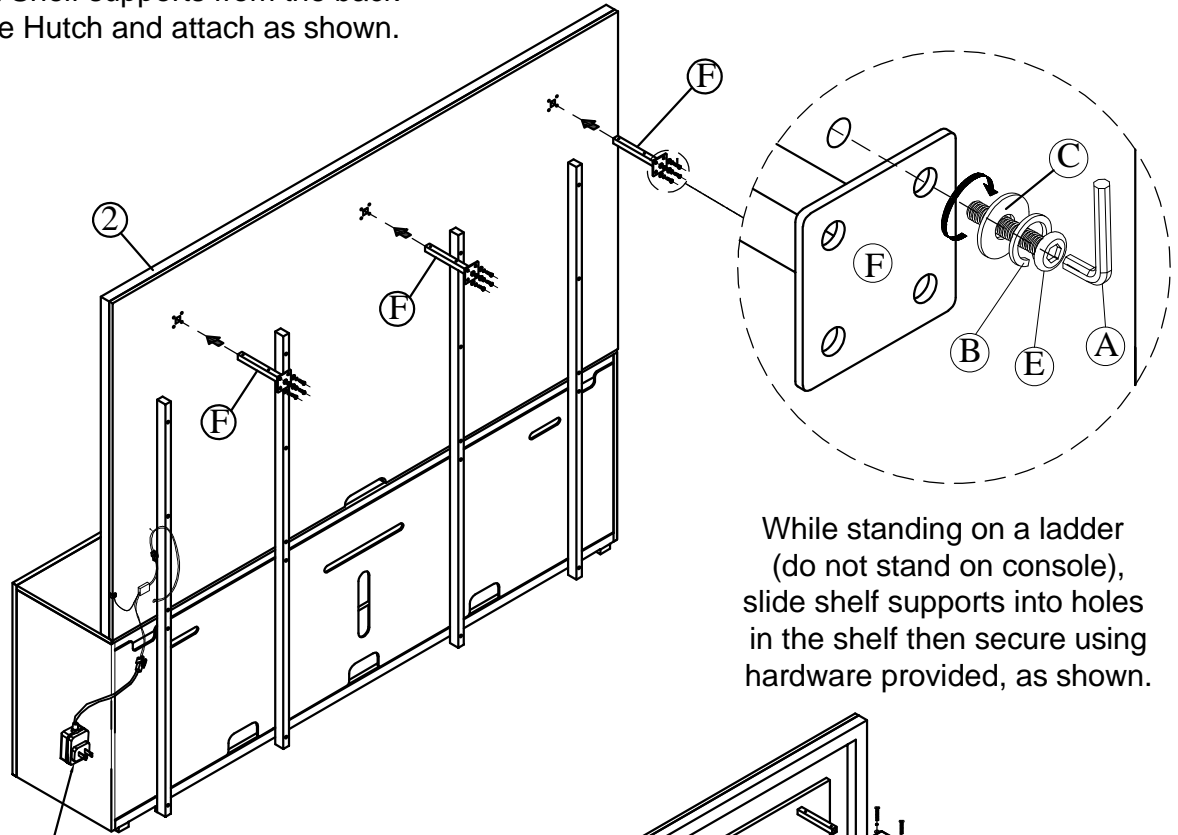
Description: Panel Hutch/ Dark Chocolate

ASCENT

2024-03-05

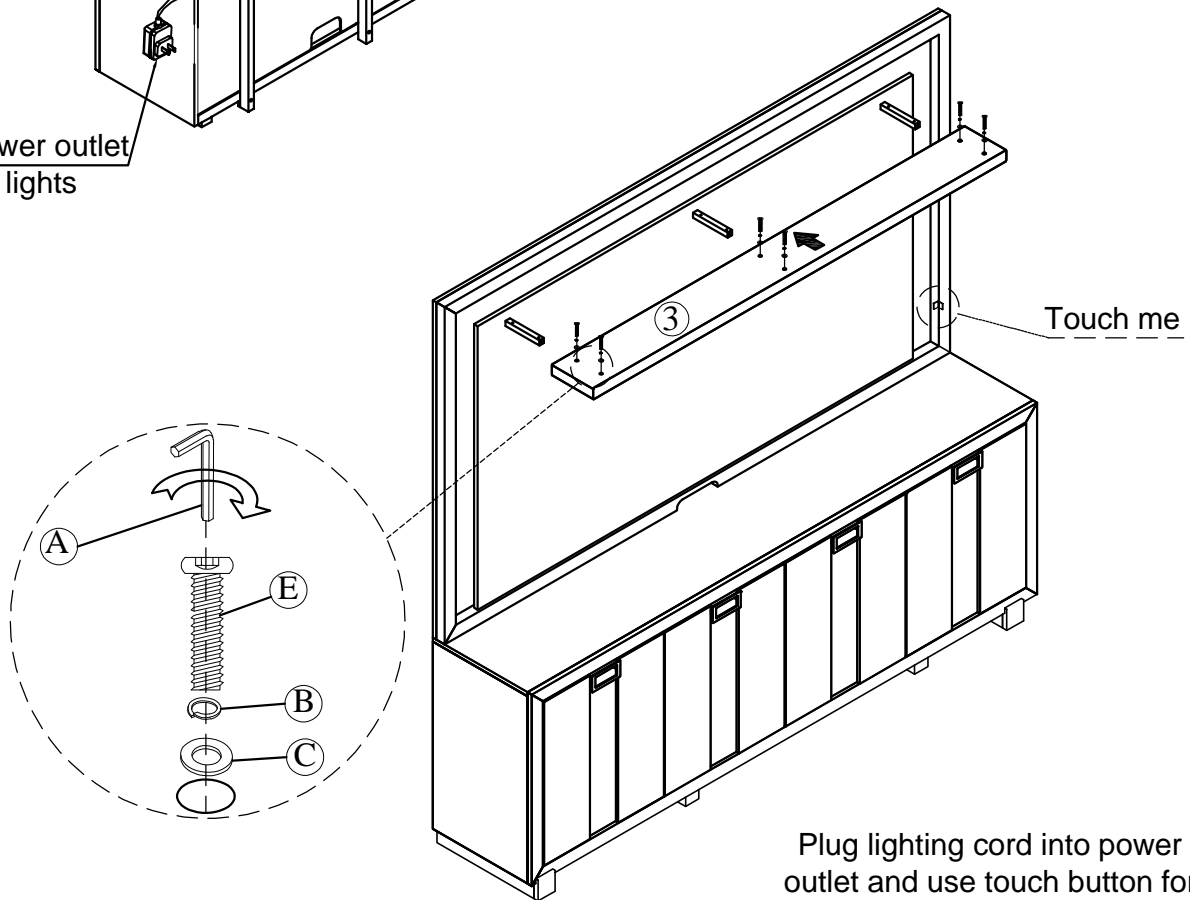
*Assembly requires two or more people

Insert Shelf supports from the back of the Hutch and attach as shown.



While standing on a ladder (do not stand on console), slide shelf supports into holes in the shelf then secure using hardware provided, as shown.

Power outlet for lights



Touch me

Plug lighting cord into power outlet and use touch button for dimmable lighting.



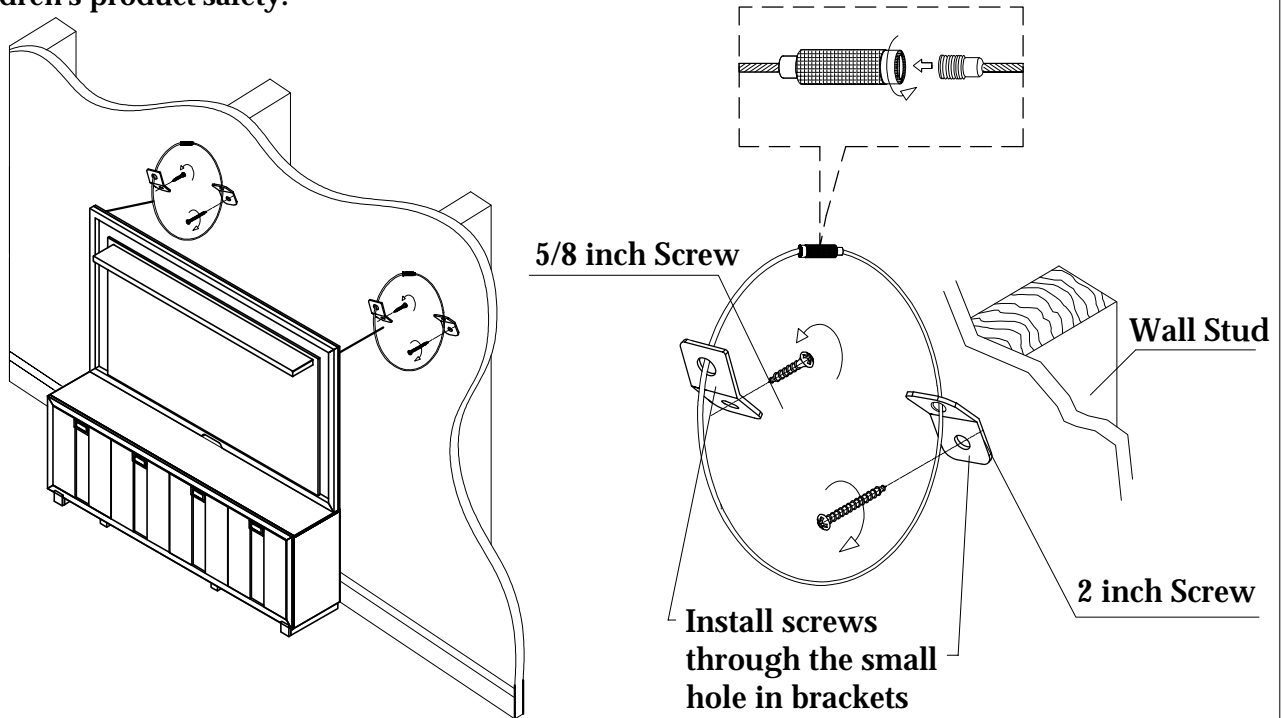
Parker House
FURNITURE

Anti-Tip Hardware Installation Instructions

ASCENT

2024-03-05

Notice: Parker House. recommends that steps be taken for certain furniture items to prevent or minimize the risk of tip-over. This furniture is equipped with Tip-over Restraint Hardware for use to minimize this risk, if used. Please follow below installation steps. Parker House. recommends that parents and guardians periodically visit the U.S. Consumer Product Safety Commission (CPSC) website at <http://www.cpsc.gov/> and stay up to date on all issues related to children's product safety.



1. Temporarily locate the furniture to near it's final location in the room next to a wall. Locate a wall stud behind your furniture and also mark the stud's location on the back of your furniture.
2. Firmly attach one bracket to the stud approximately 2" below the top of the furniture with the 2 inch long Wood Screws provided. It may be necessary to drill 3/32 dia. pilot holes for the screws.
3. Firmly attach the other bracket onto a solid, structural part on the back of the furniture using the 5/8 inch long Wood Screws. It may also be necessary to pilot bore for these screws.
4. Move the furniture into its final position, taking care to line up the wall bracket with the furniture bracket. Thread a strap through the bracket as shown in the illustration. Tighten strap until snug but do not over tighten.

Caution: Parker House. assumes no liability for improper installation or excessive loads placed on screws, brackets or straps. Failure to detach this restraint before moving furniture may result in personal injury and property damage.

Warning: This tip-over restraint is not to be a substitute for proper adult supervision. Do not allow children to climb on furniture. Items left on top of the TV and furniture, such as toys, remote controls and treats might tempt young children to climb. Push the TV as far back as possible from the front of its stand. Place electrical cords out of a child's reach, and teach children not to play with the cords.