



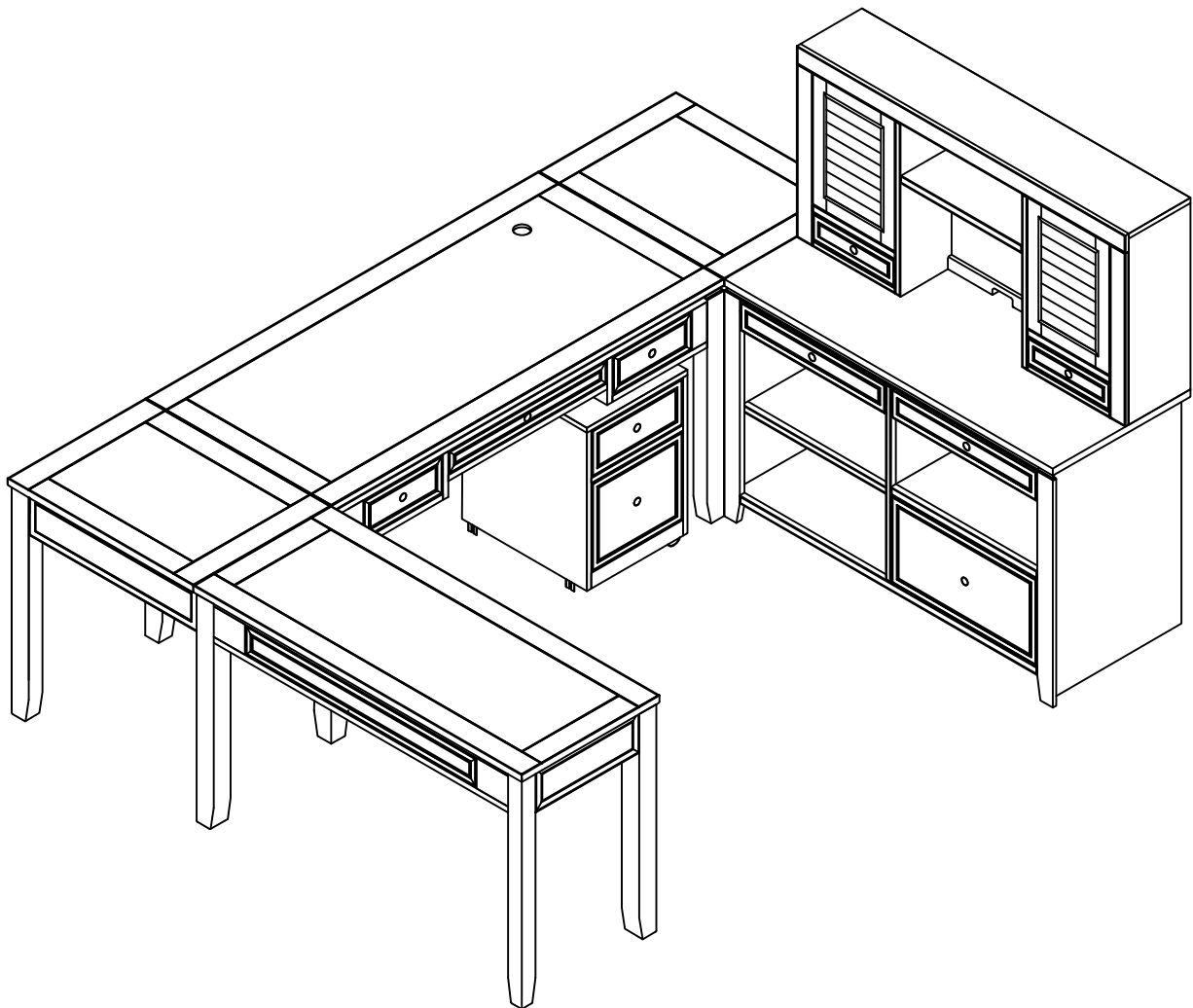
Parker House  
FURNITURE

# Assembly Instruction

Item No: BOC-347D

Description : DESK

Rev 2 :2021-11-05





Parker House  
FURNITURE

# Assembly Instruction

Item No: BOC-347D

Description : DESK

Rev 2 :2021-11-05

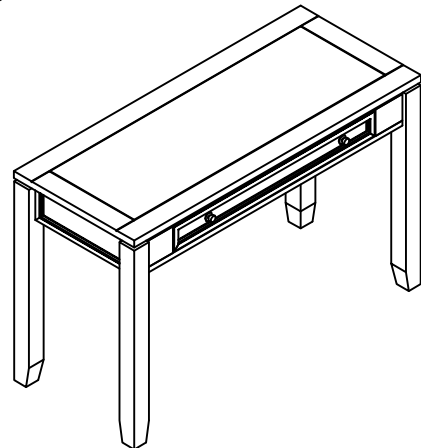
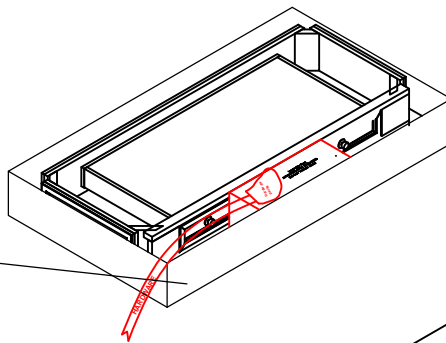
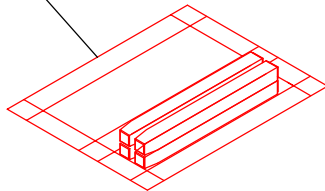
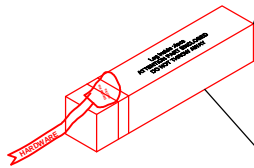
## HARDWARE LIST

No	Description	Sketch	Q'TY
A	Allen wrench 5mm		1PC
B	Bolt Ø 5/16"x2-1/2"		8PCS
C	Lock washer Ø5/16"x12mm		8PCS
D	Flat washer Ø5/16"x19mm		8PCS

## PARTS LIST

TABLE TOP (1PC)	LEG (4PCS)
①	②

Hardware and leg pack is here



STEP 1

