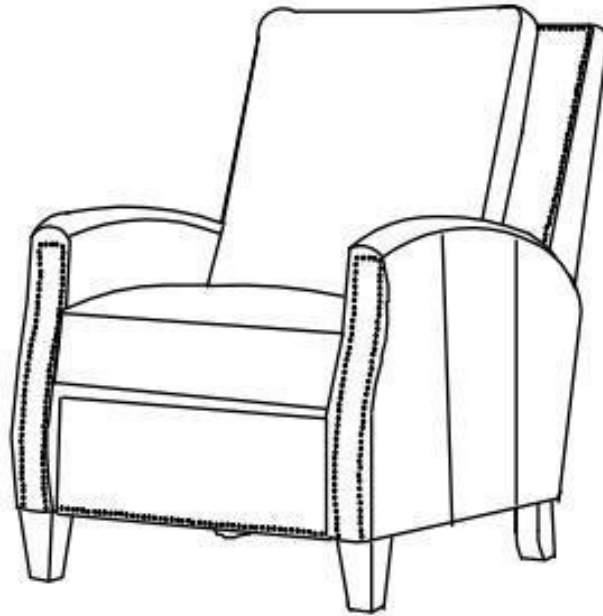


**HUNTER ASSEMBLY INSTRUCTIONS
NOTICE DE MONTAGE**

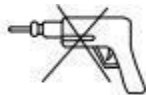
MHNT#812PH-P25-CHCR/MHNT#812PH-P25-ECGR

Please keep these instructions and have the product model # and part # available when requesting a service.

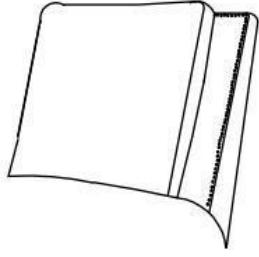


IMPORTANT NOTE

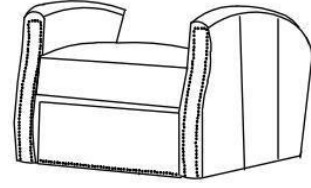
Do not use a power tool to assemble this product as it could damage the thread of the hardware and affect the solidity/durability of the product.



A x 1



B x 1



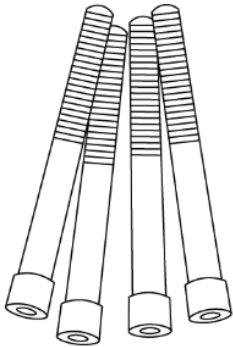
C x 2



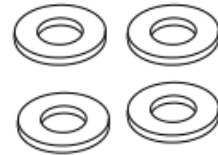
D x 2



E x 4



F x 4



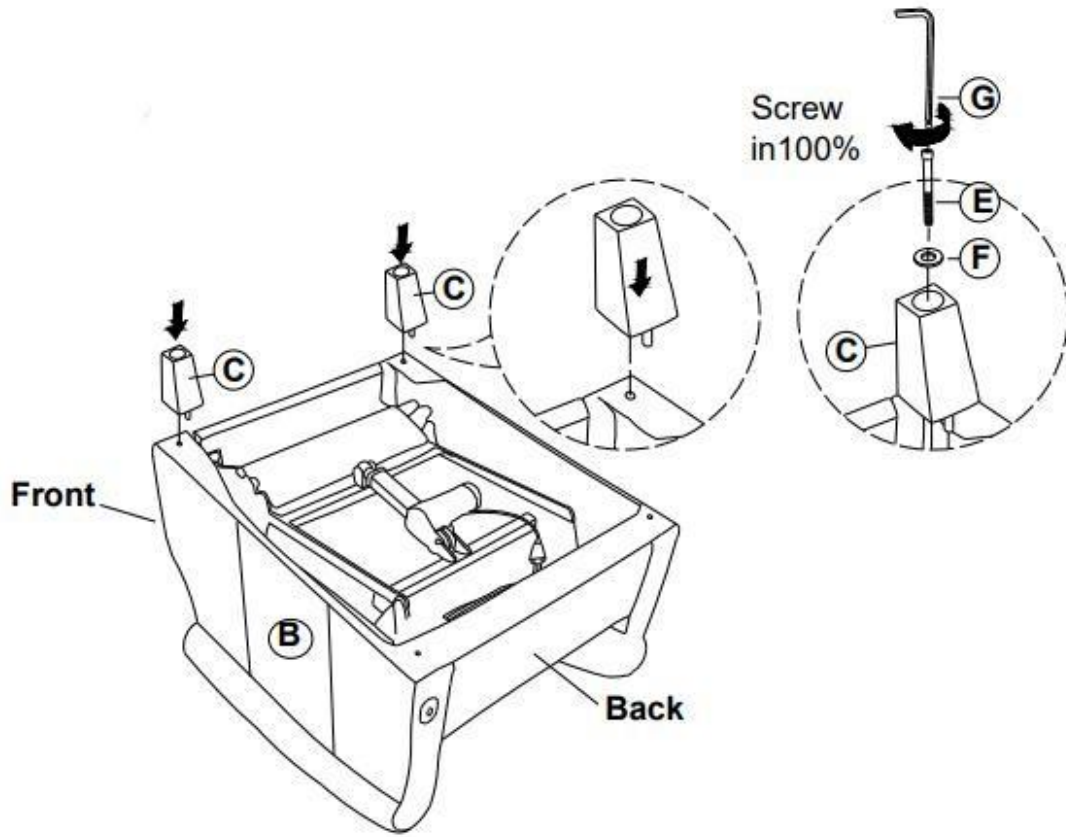
G x 1



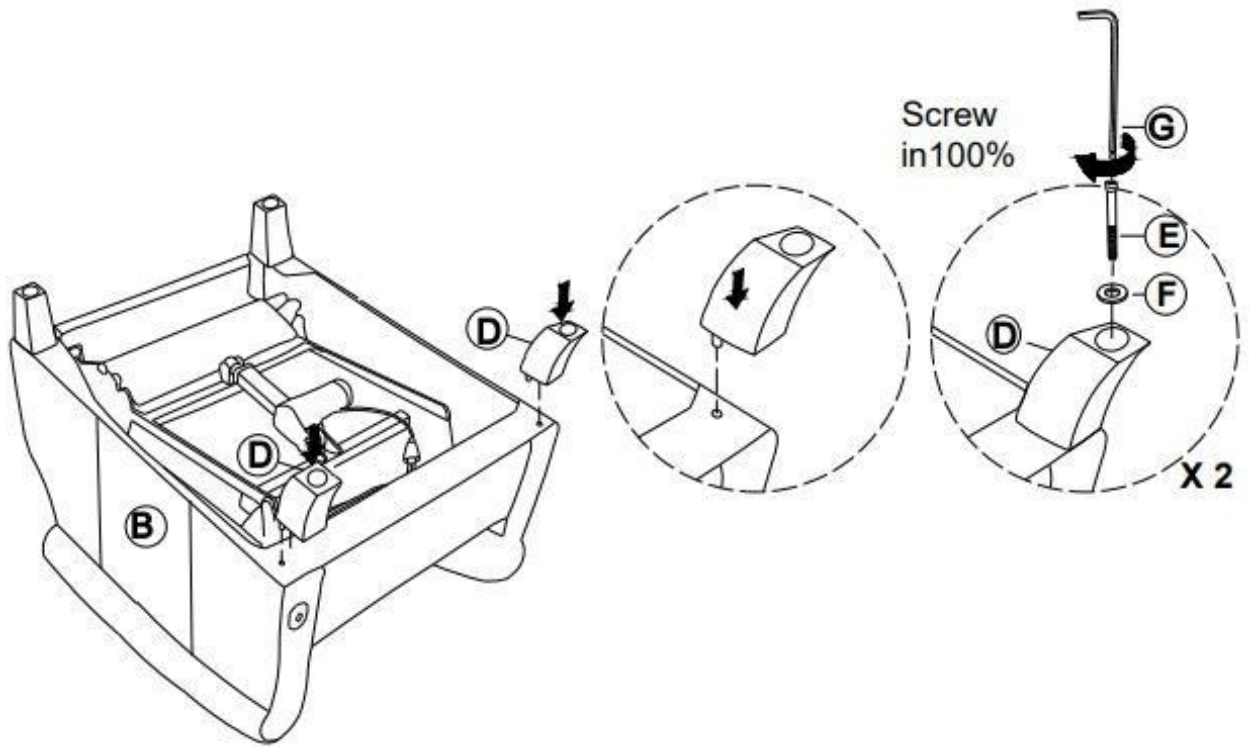
H x 4



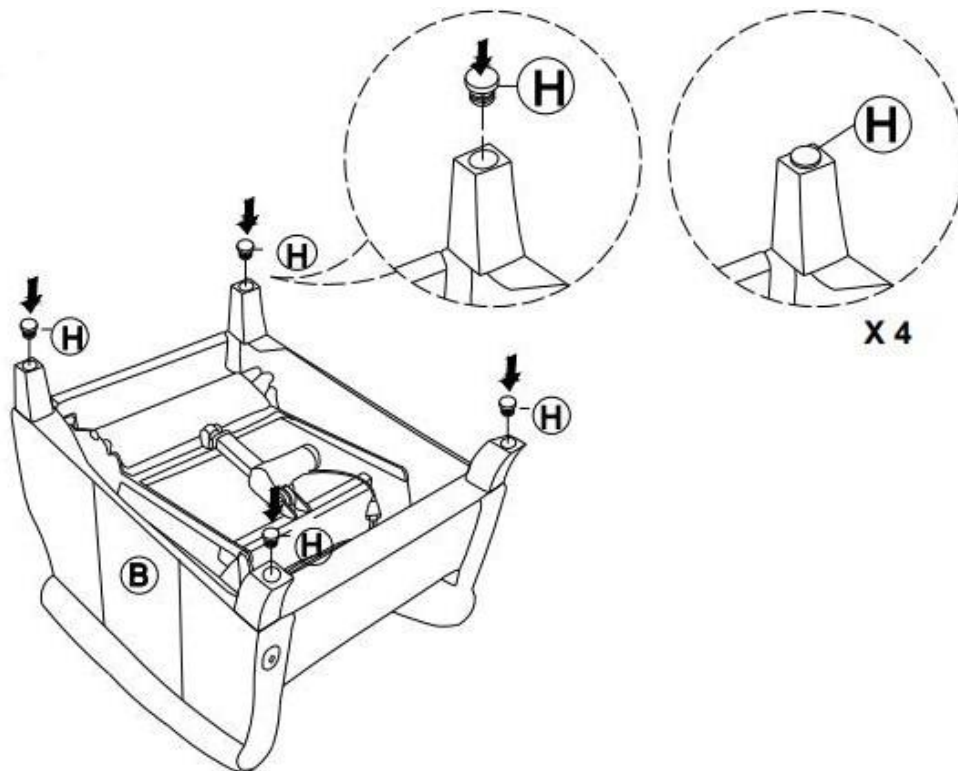
STEP 1



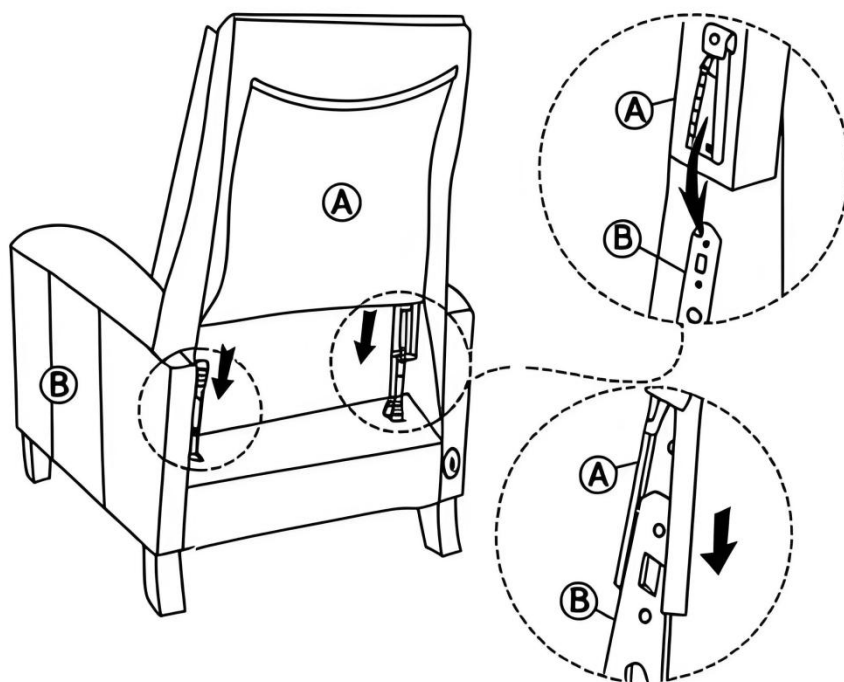
STEP 2



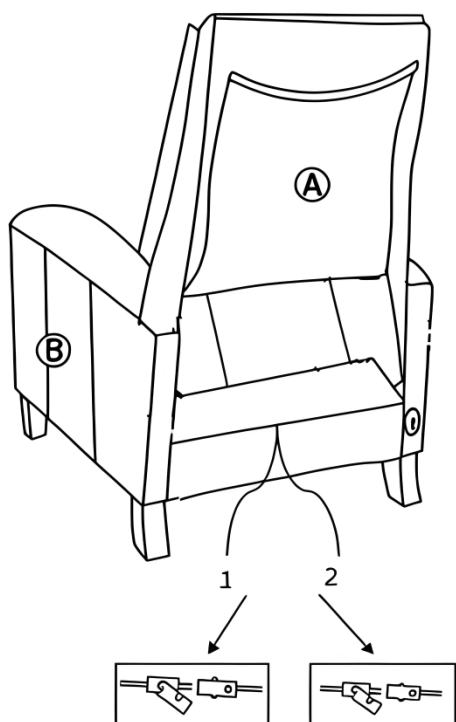
STEP 3



STEP 4

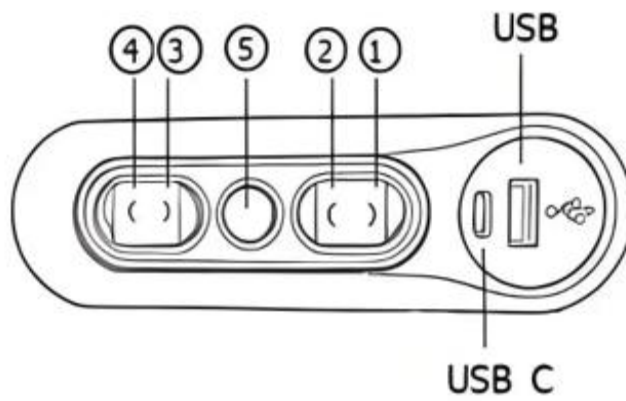


STEP 5



Connect two cables as shown

- Power cord marked in yellow is connected to headrest motor
- Power cord marked in green is connected to transformer



1. Press button ① Headrest Back
2. Press button ② Headrest Forward
3. Press button ③ Leg Rest Close
4. Press button ④ Leg Rest Open
5. Press button ⑤ All Close