



Parker Living
A Division of Parker House

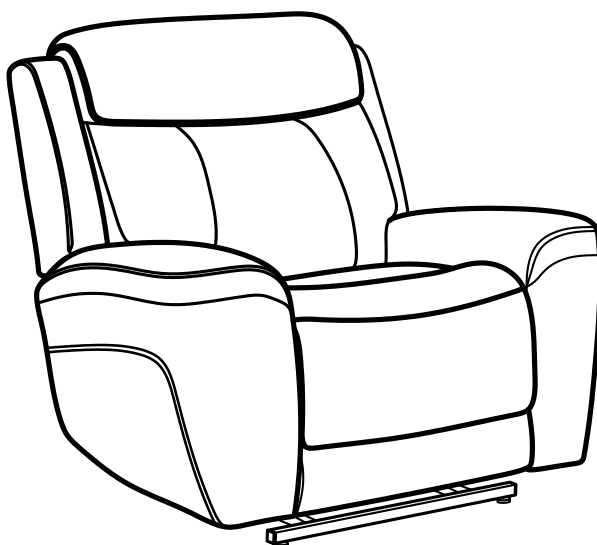
Assembly Instructions

Callahan Lift Chair

BEFORE ASSEMBLY





Thank you for purchasing this quality product. This product has been designed for easy assembly and constructed for durability. Please take the time to read and follow the assembly instructions carefully.

Power Lift Recliner



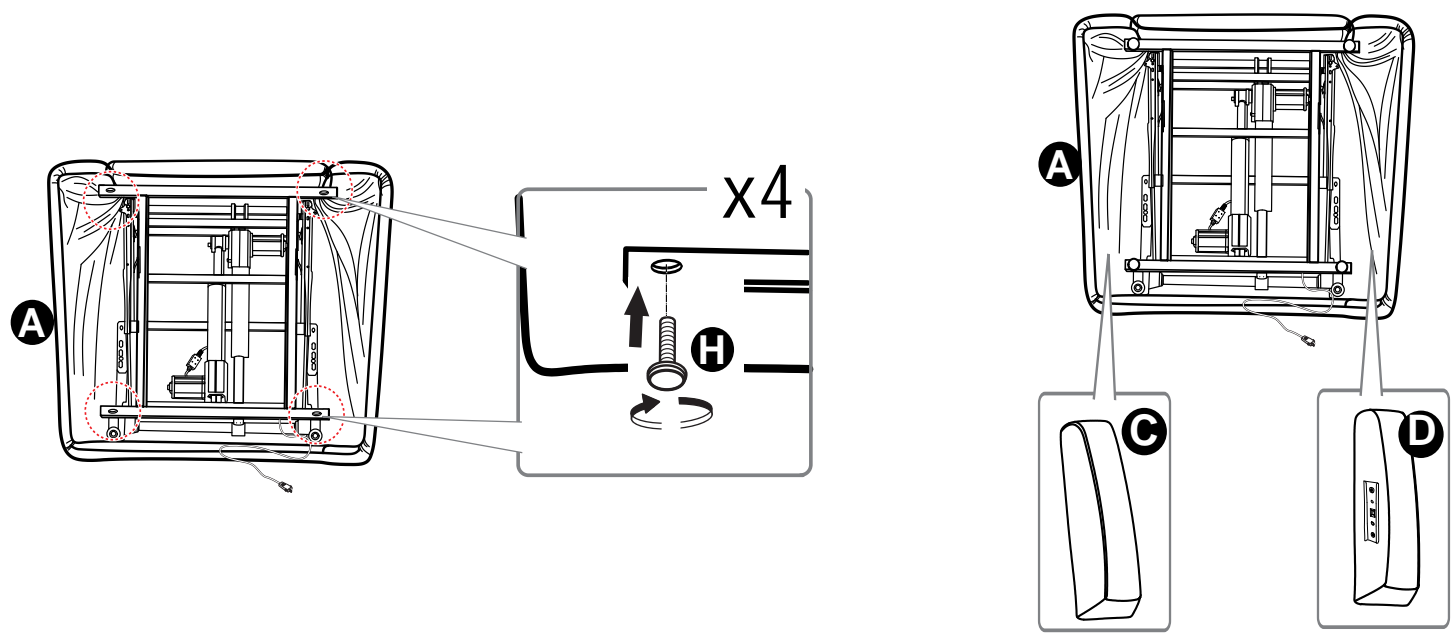
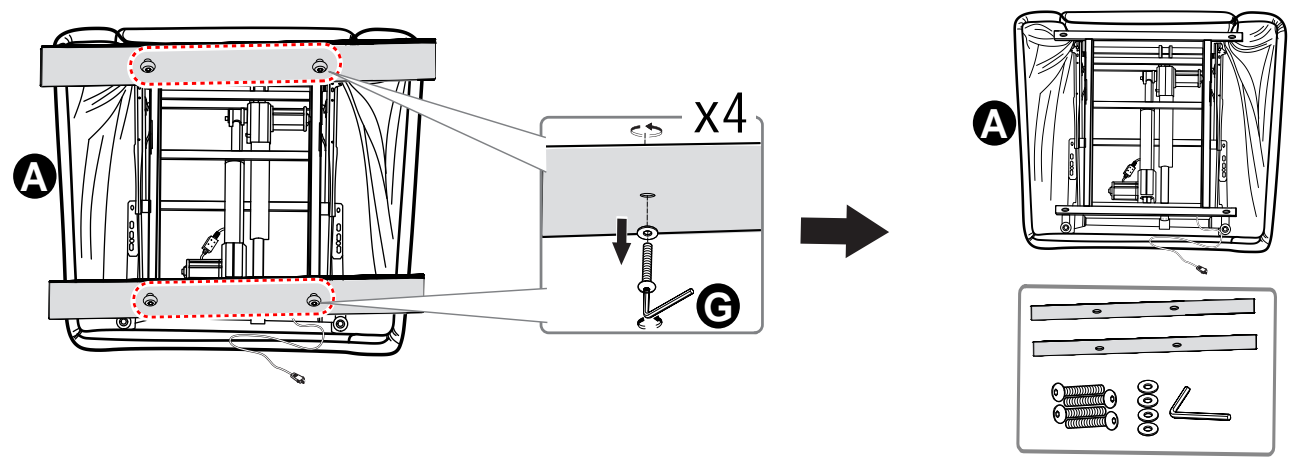
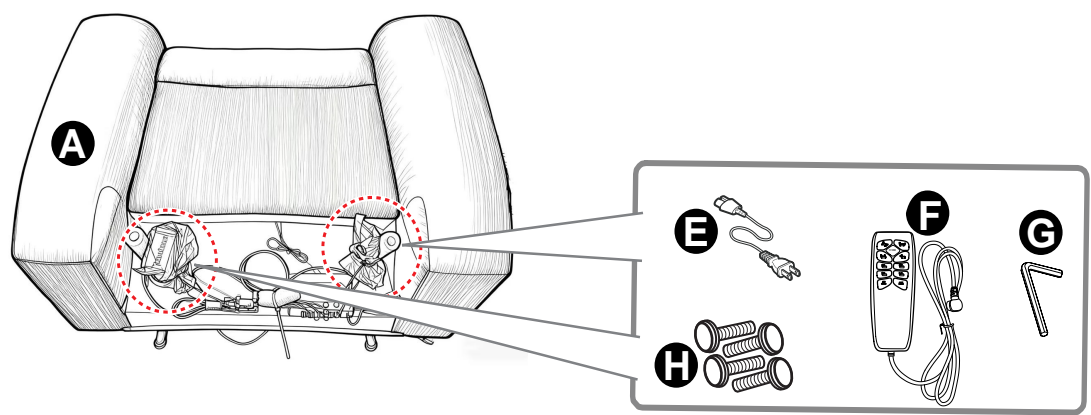
Part List

When unpacking, please be careful not to discard any parts with the packaging. Before continuing, please make sure you have the following parts:

No	Description	Sketch	Qty
A	Body		1 PC
B	Back cushion		1 PC
C	LAF Wing		1 PC
D	RAF Wing		1 PC
E	Power Cord		1 PC
F	Remote Control		1 PC
G	Wrench		1 PC
H	Adjustable Metal Foot		4 PC

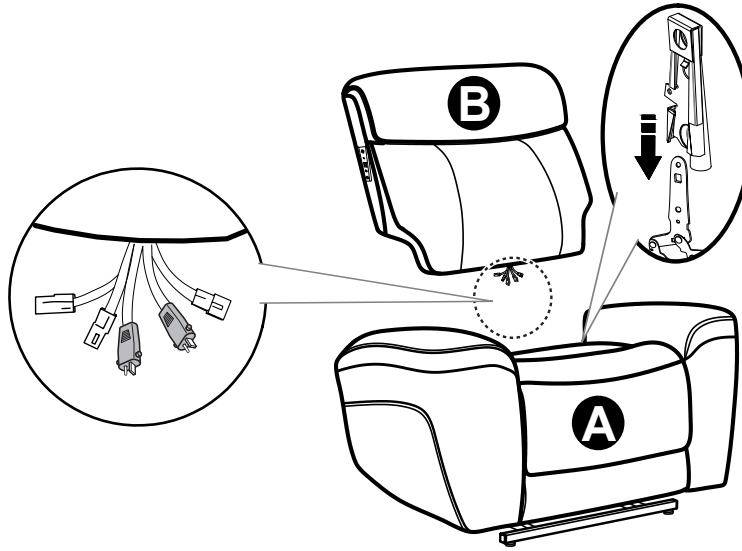
Step 1

1. Turn the Body (A) right-side up and take out the power cord (E) , remote control (F) , Wrench(G) and **adjustable metal foot (H)** from the plastic bags tucked in the backside of the seat.
2. Tip the Body (A) upside-down, and remove the two wood plates with the wrench (G);
3. Locate the threaded hole on the bottom of the sofa ' s metal frame. Insert the adjustable metal foot (H) into the hole and tighten it by hand until the bottom of the sofa is level.
4. Take out the LAF wing (C) and RAF wing (D) from under the armrest;



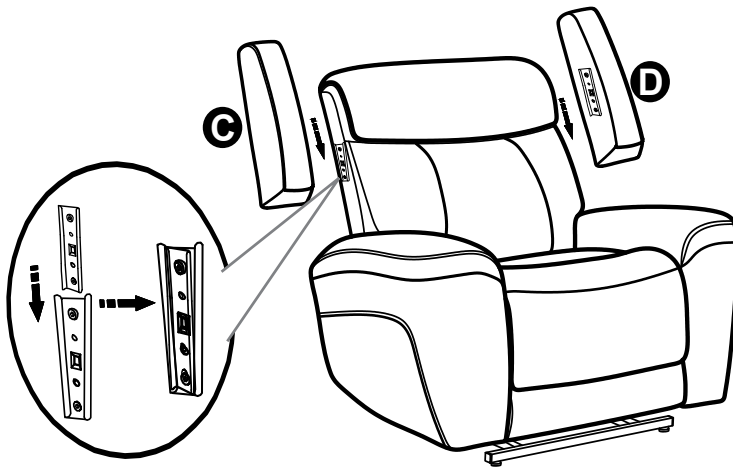
Step 2

Install the back cushion (B) into the body (A) by positioning the female metal receiver brackets over the male metal posts. Ensure that the female metal receiver brackets on each side line up with the seat metal posts. Push the backrest down until each side is locked into place and an audible "click" is heard;

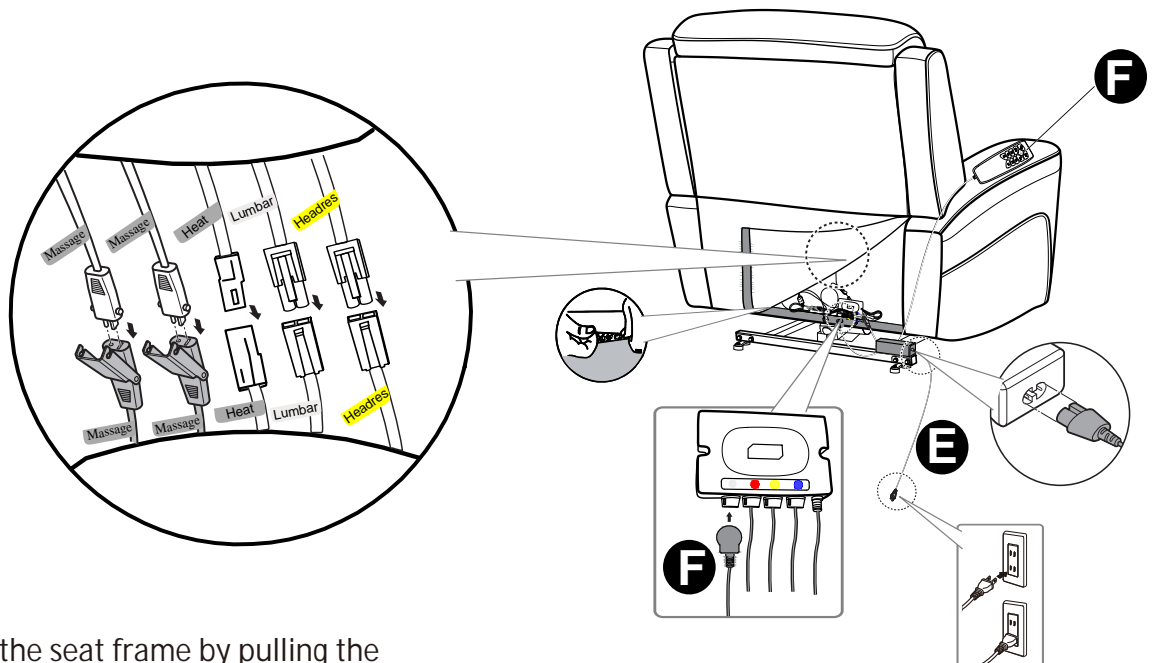


Step 2

1. Install the LAF Wing (C) and RAF Wing (D) by sliding wings in a downward motion along the side of the seat back to connect the brackets.



2. Connect the wires.



3. Attach the flap to the seat frame by pulling the flap down, and pressing the bottom under the seat base, connecting the velcro.

Function Display

Without pressing any buttons, the heating and massage functions will automatically turn off after 30 minutes.

Close footrest, backrest, lumbar, headrest and lift the chair

Lift the chair and close footrest

Close backrest

Close headrest

Close lumbar

Control heating function

Lower the chair and open footrest

Open backrest

Open headrest

Open lumbar

Control massage function

