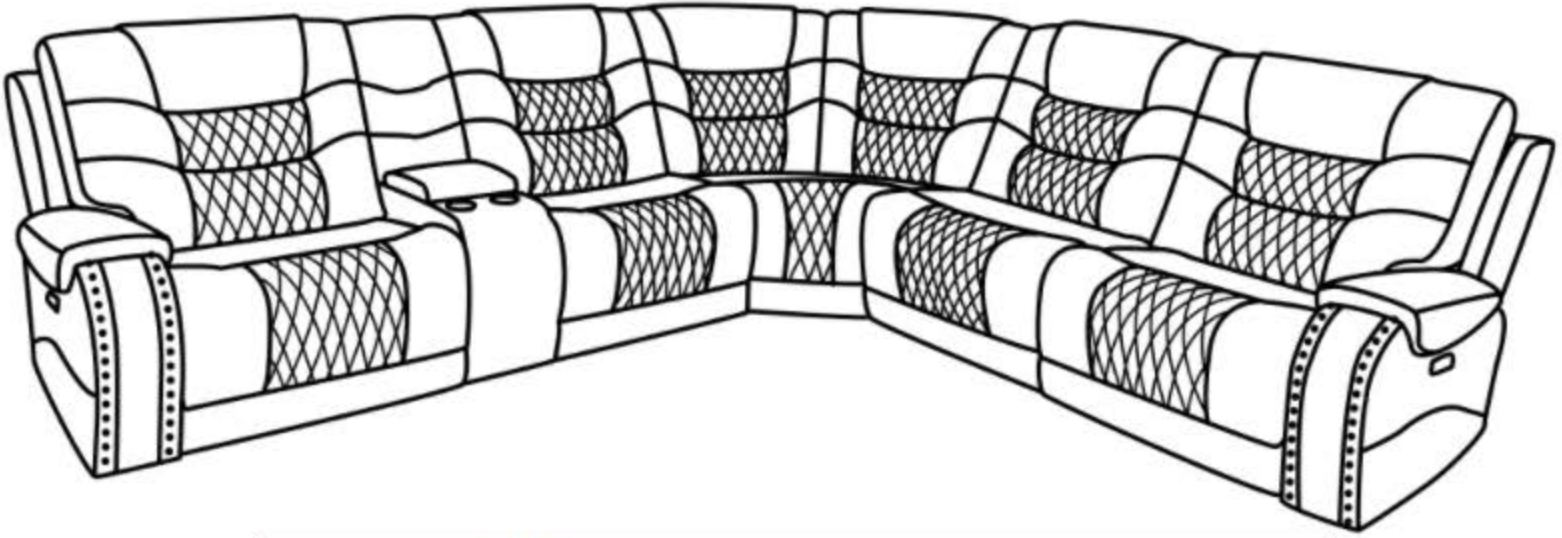
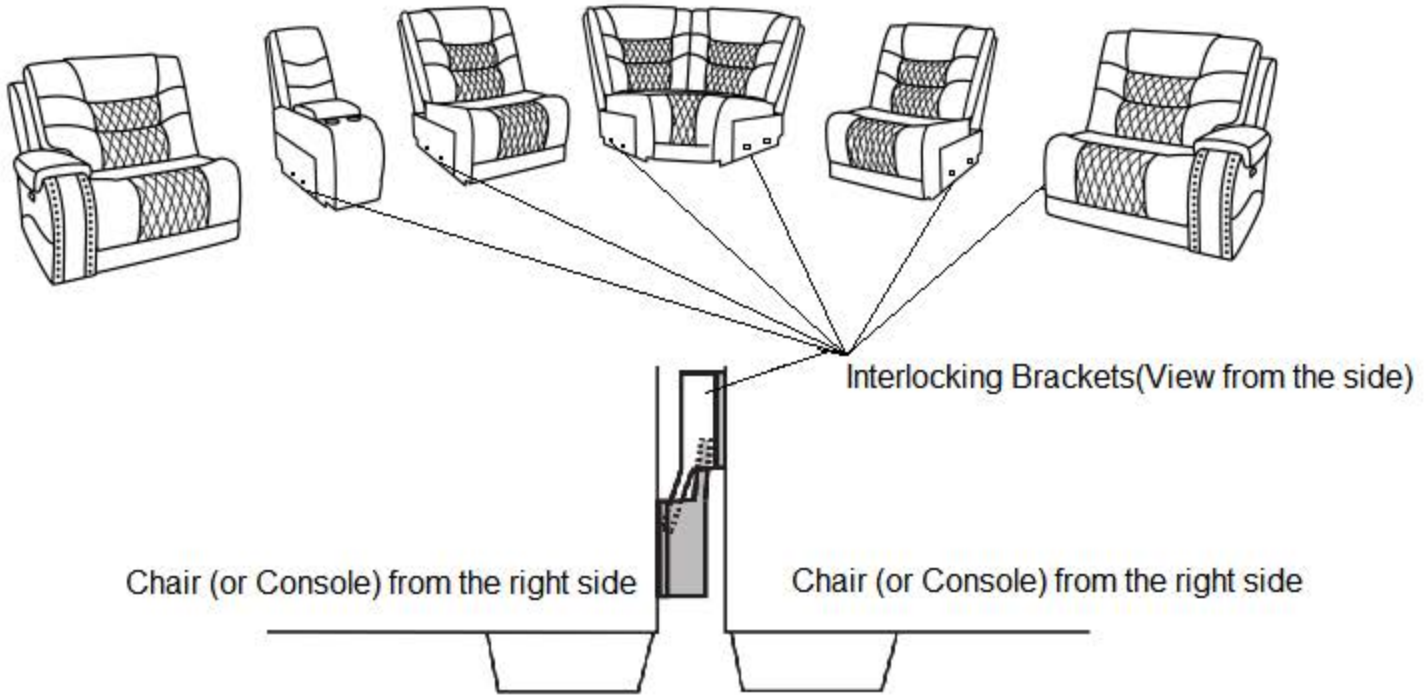


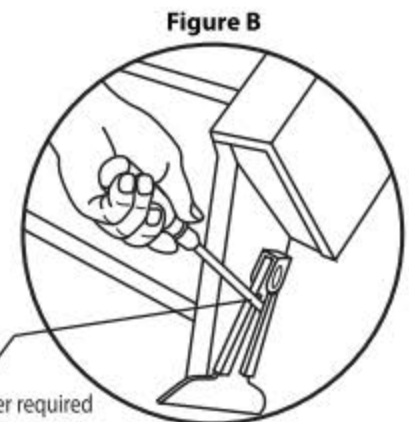
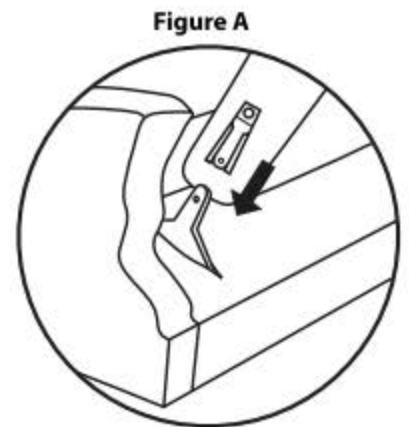
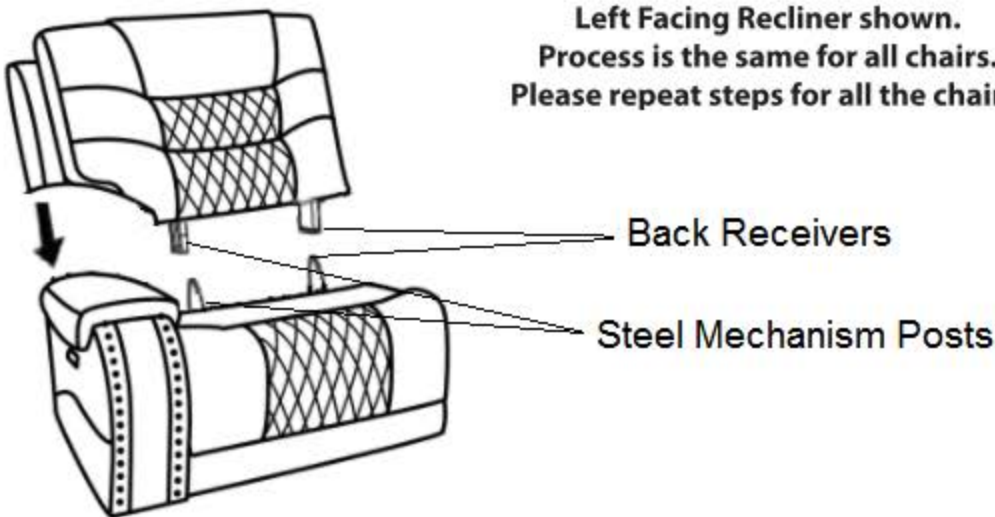
OUTLAW COLLECTION ASSEMBLY INSTRUCTIONS

CONTENTS OF CARTONS



BACK ASSEMBLY INSTRUCTIONS

Left Facing Recliner shown.
Process is the same for all chairs.
Please repeat steps for all the chairs.



CAUTION: PLEASE READ ALL INSTRUCTIONS CAREFULLY BEFORE STARTING ASSEMBLY PROCESS. IT IS RECOMMENDED TO USE TWO PEOPLE WHEN ASSEMBLING AND REMOVING THE INSIDE BACKS TO AND FROM THE BASE OF THE FURNITURE.

STEP 1: Slide inside back receivers into the steel mechanism posts in the base of the furniture (Figure A).

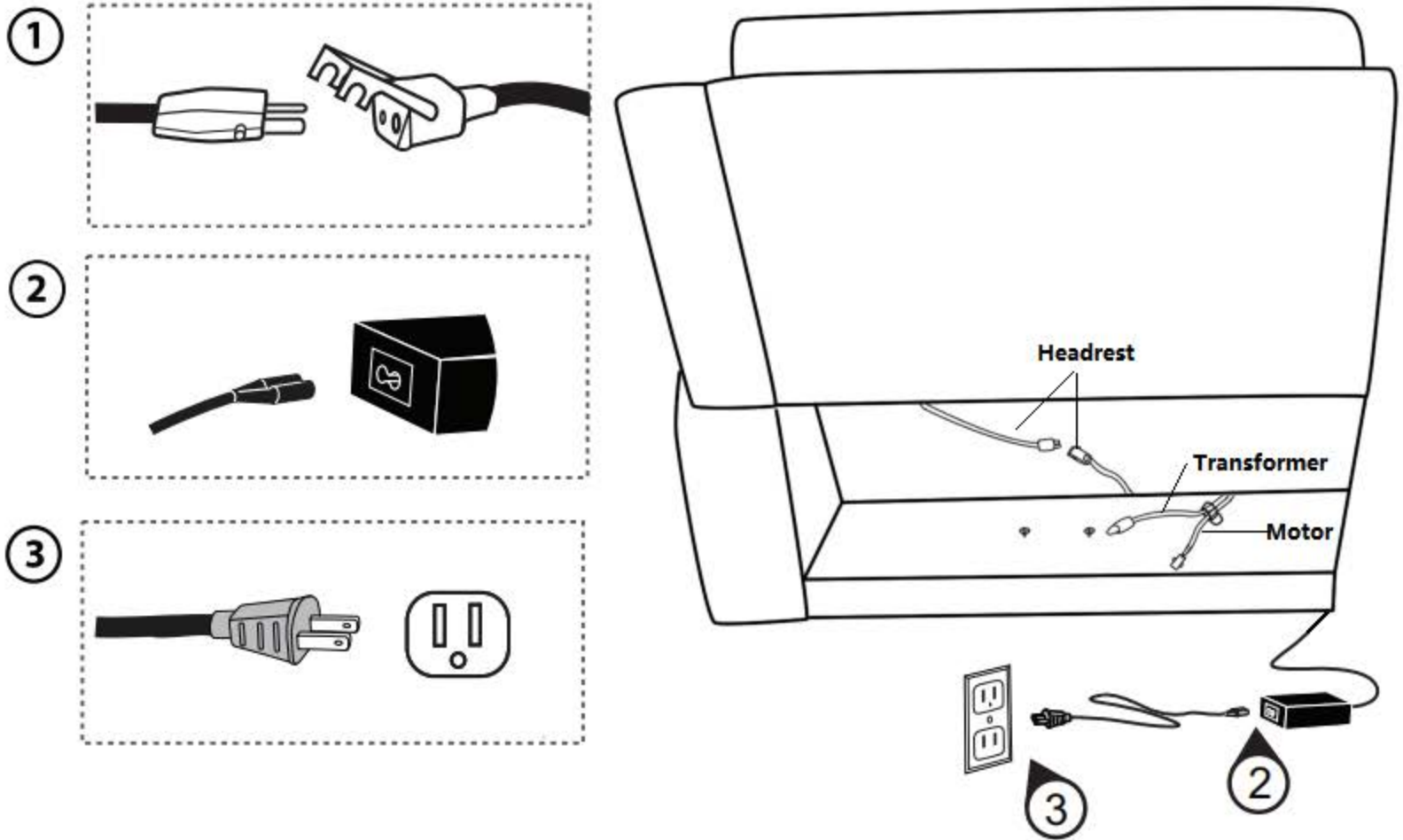
STEP 2: Press both sides of the inside back firmly into place. The inside back automatically locks into place.

STEP 3: To remove the inside backs, use a screwdriver pressing outward on the black tab in the metal sleeve (Figure B) on both sides of the inside back and lift the inside back from the base of the furniture

OUTLAW COLLECTION ASSEMBLY INSTRUCTIONS

ASSEMBLY INSTRUCTIONS

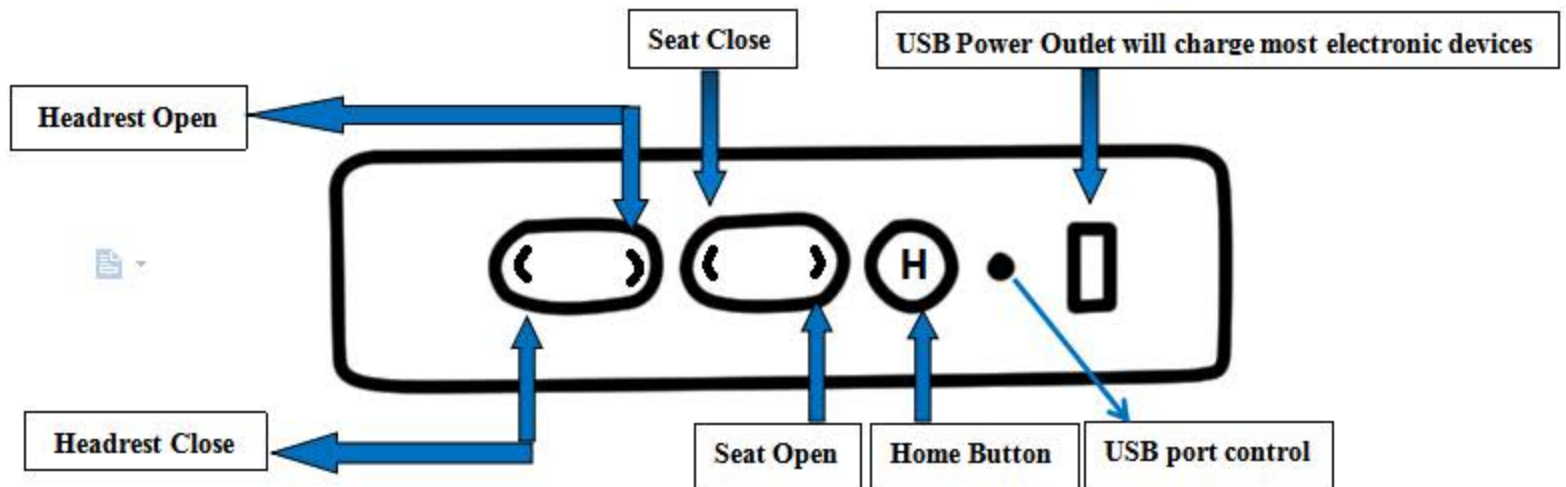
Electrical Connections for left and right recliners



Operating Instructions for Power-Power Buttons

Caution: Read the Important instructions below before operating your power mechanized equipment

Do not allow children to play on or operate this power mechanized equipment



Care should always be taken to assure there is nothing in the path of the mechanism before and during operation

Open and Close Buttons

The open and close buttons will operate the function noted above by simply touch the button. To stop the mechanism in your desired position simply remove your finger from the button

Home Button

The Home button will close/return both the headrest and reclined mechanism to the closed position at the same time simply by pressing on the button. To stop the functions simply remove your finger from the button