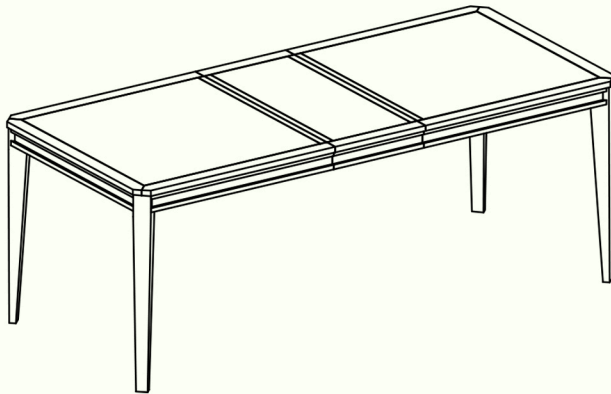




Assembly Instructions

Item No: DBRE - 78RECT Rectangular Table With 18" Leaf

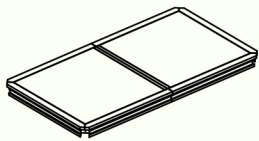
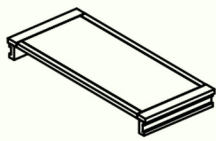
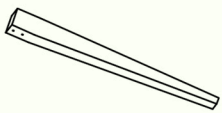



BEFORE ASSEMBLY

Thank you for purchasing this quality product. This product has been designed for easy assembly and constructed for durability. Please take the time to read and follow the assembly instructions carefully.

Part List

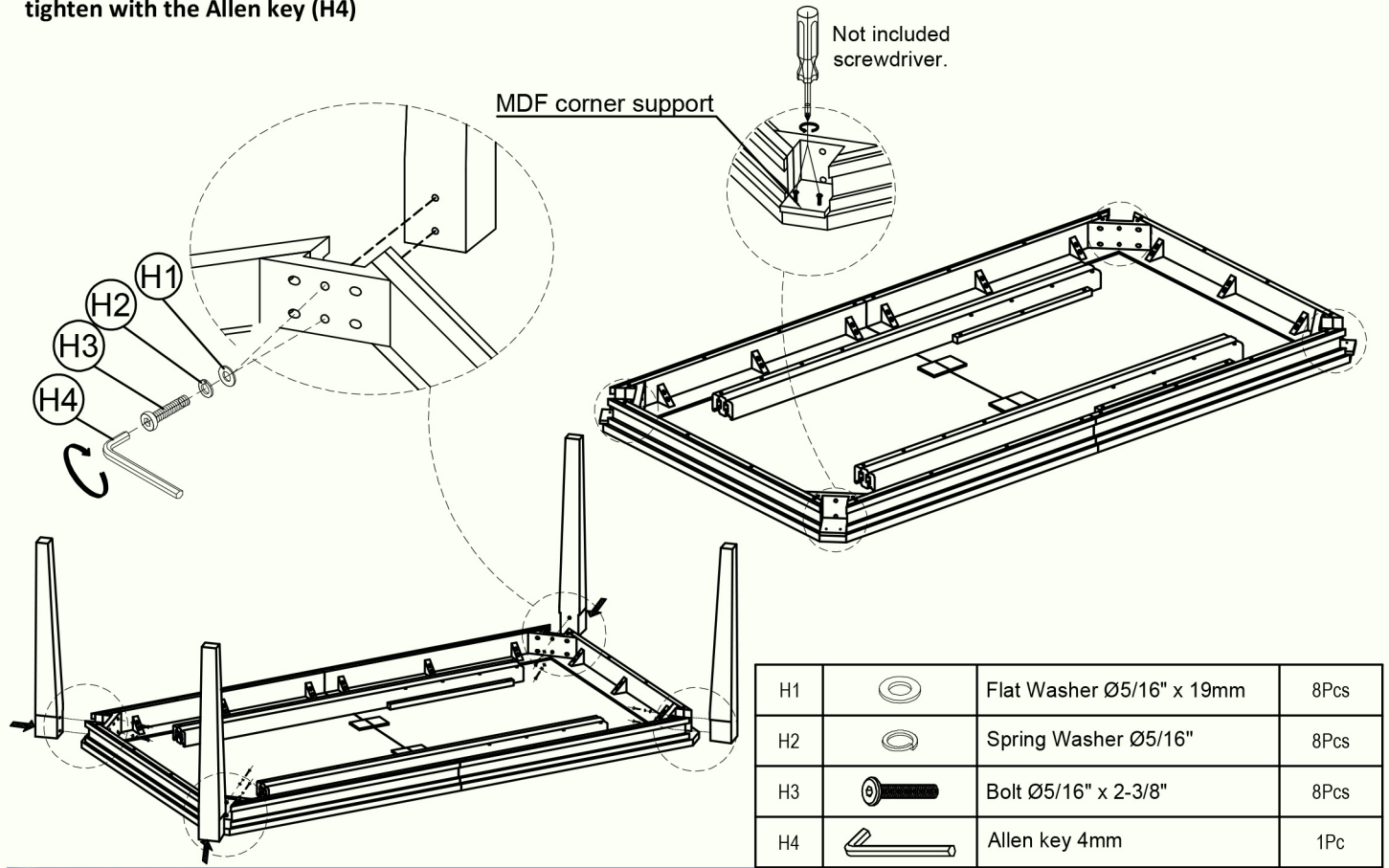
When unpacking, please be careful not to discard any parts with the packaging. Before continuing, please make sure you have the following parts:

PARTS LIST			
(A) 	(B) 		
TABLE TOP: 1PC	TABLE LEAF: 1PC		
(C) 	(D) 		
TABLE LEGS: 4PCS	LEVELER : 4PCS		

HARDWARE LIST			
NO.	DRAWING	DES.	
H1		Flat Washer Ø5/16" x 19mm	8Pcs
H2		Spring Washer Ø5/16"	8Pcs
H3		Bolt Ø5/16" x 2-3/8"	8Pcs
H4		Allen key 4mm	1Pc

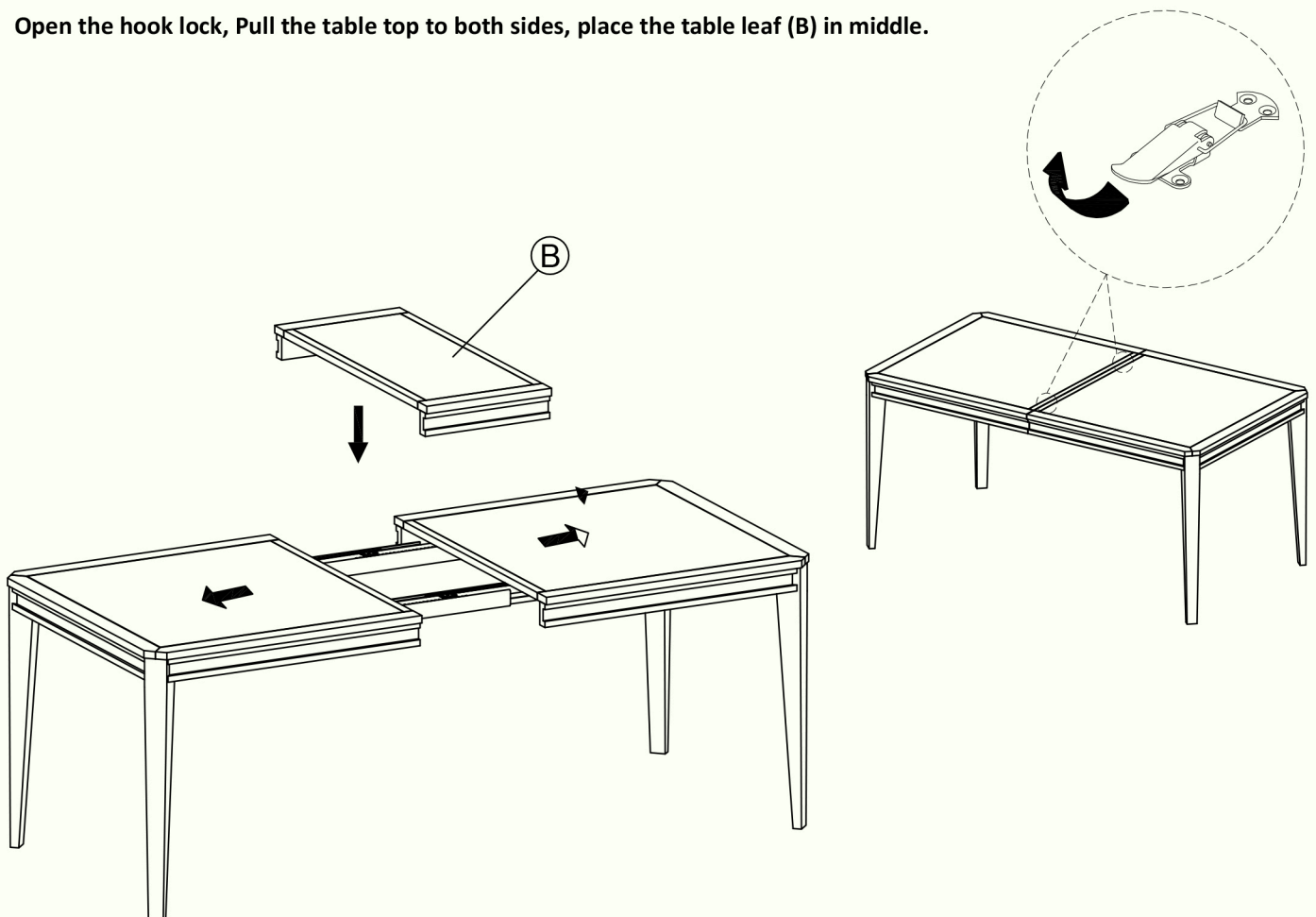
Step 1

1. Remove the MDF corner support from Table top (A)
2. Attach Table leg (C) to Table top (A) using Flat Washer (H1), Spring Washer (H2) and Bolt (H3), tighten with the Allen key (H4)



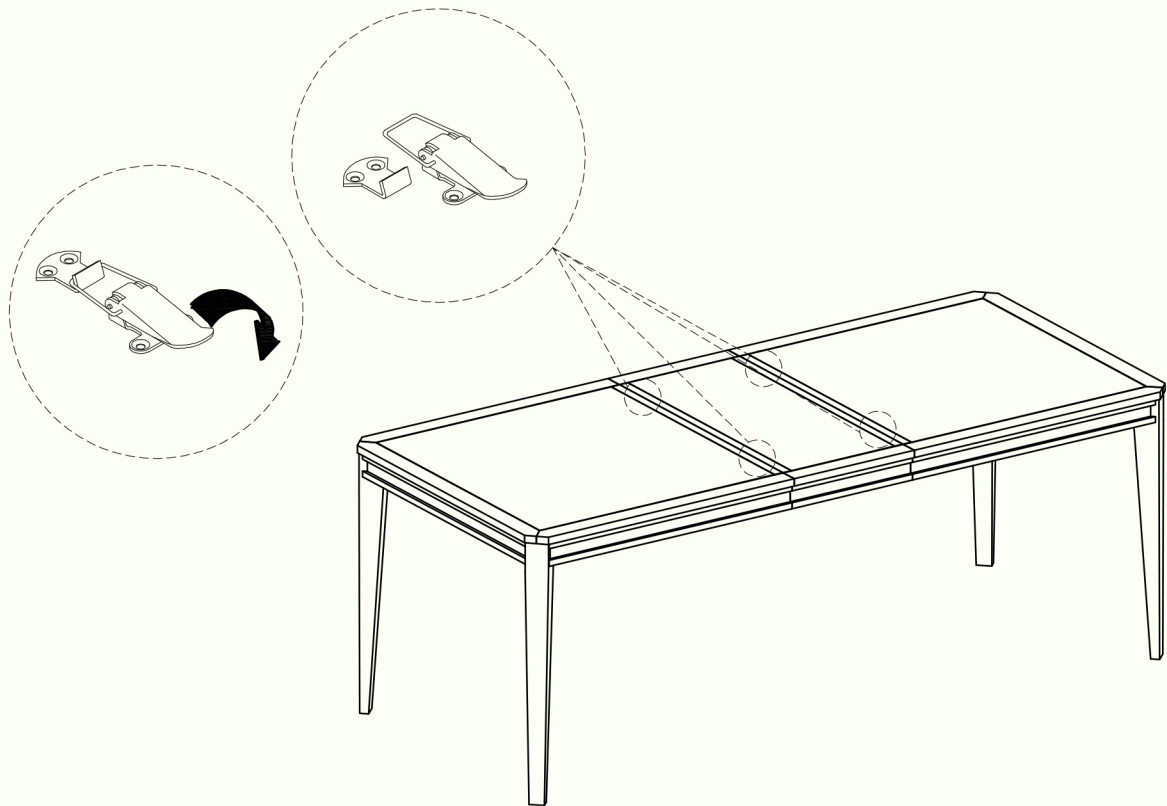
Step 2

Open the hook lock, Pull the table top to both sides, place the table leaf (B) in middle.



Step 3

Install a hook lock to secure the tabletop



Step 4

Complete the table

