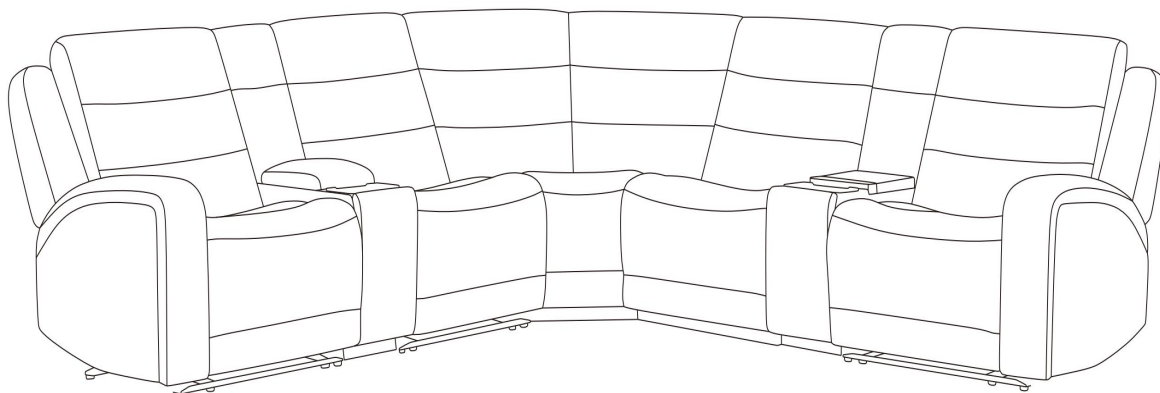




Parker Living
A Division of Parker House

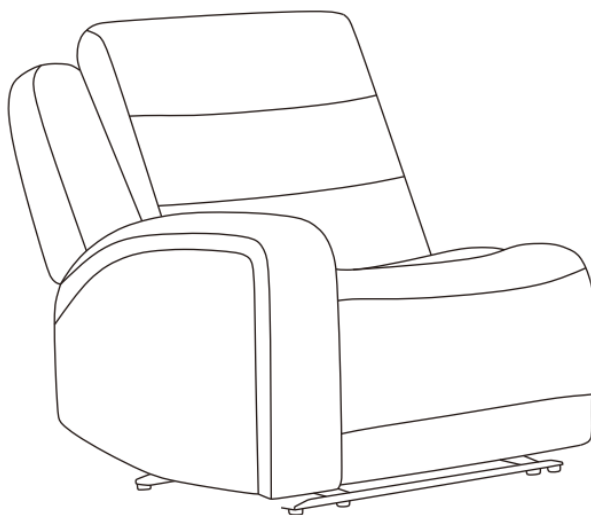
Assembly Instructions Felix Sectional



BEFORE ASSEMBLY





Thank you for purchasing this quality product. This product has been designed for easy assembly and constructed for durability. Please take the time to read and follow the assembly instructions carefully.

Power Left Arm Facing Recliner



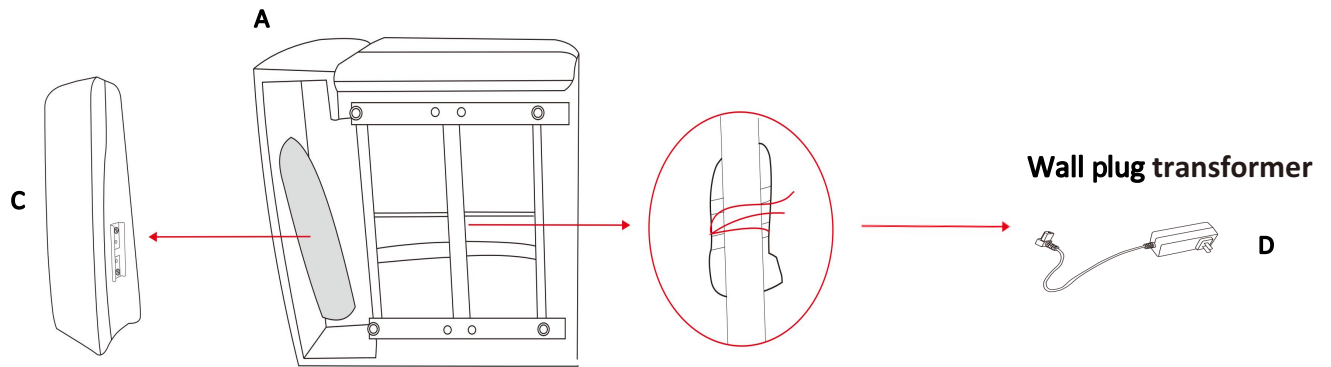
Part List

When unpacking, please be careful not to discard any parts with the packaging. Before continuing, please make sure you have the following parts:

No	Description	Sketch	Qty
A	Seat		1 PC
B	Backrest		1 PC
C	LAF Wing		1 PC
D	Wall plug transformer		1 PC

Step 1

There are one wing under the seat. Remove LAF Wing(C) from under seat. Meanwhile, untie the wall plug transformer(D) .



Step 2

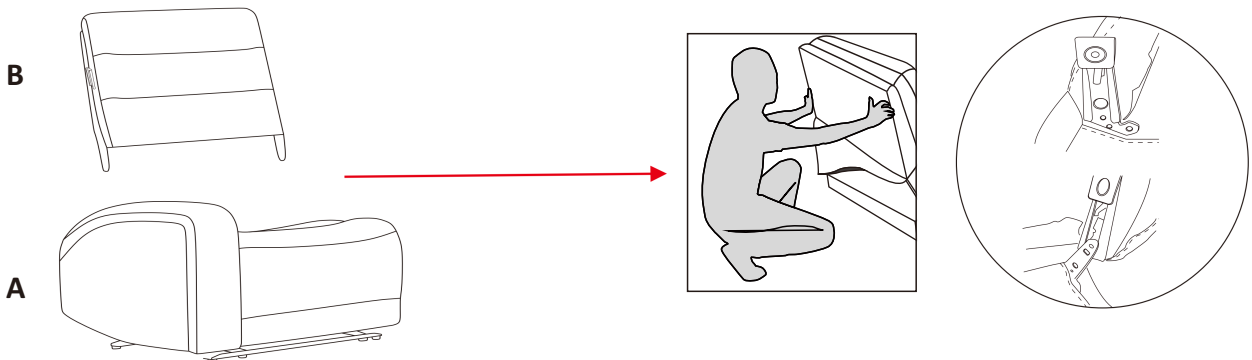
1. Install the Backrest(B) into the Seat(A) by positioning the female metal receiver brackets over the male metal posts. Ensure that female metal receiver brackets on each side of the backrest line up with the seat metal posts. Push down the female brackets over male posts simultaneously until each side is locked into the male metal posts.

2. Install the LAF Wing(C) by sliding wing in a downward motion along the side of the seat back to connect the brackets.

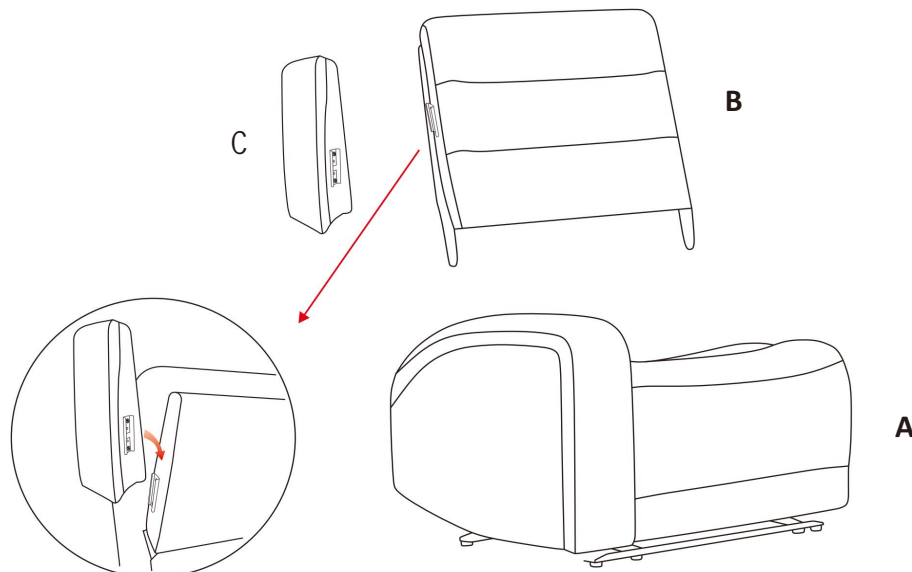
3. Connect the wire firmly as shown in the diagram.

4. Attach the flap to the seat frame by pulling the flap down, and pressing the bottom hem under the seat base, connecting the velcro.

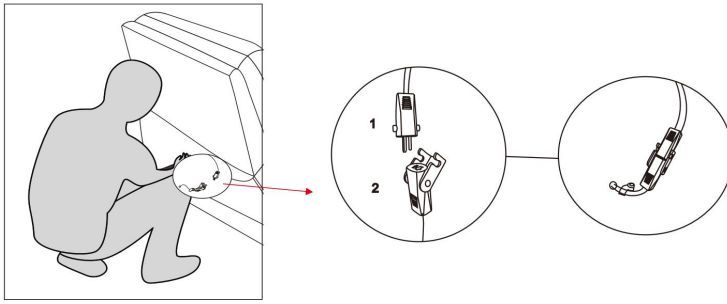
1.



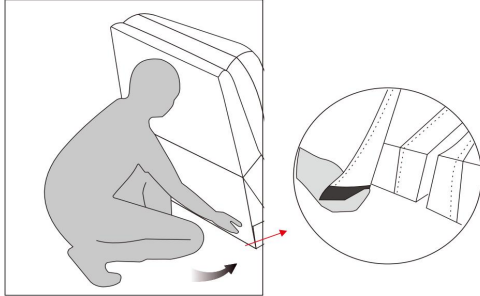
2.



3.



4.

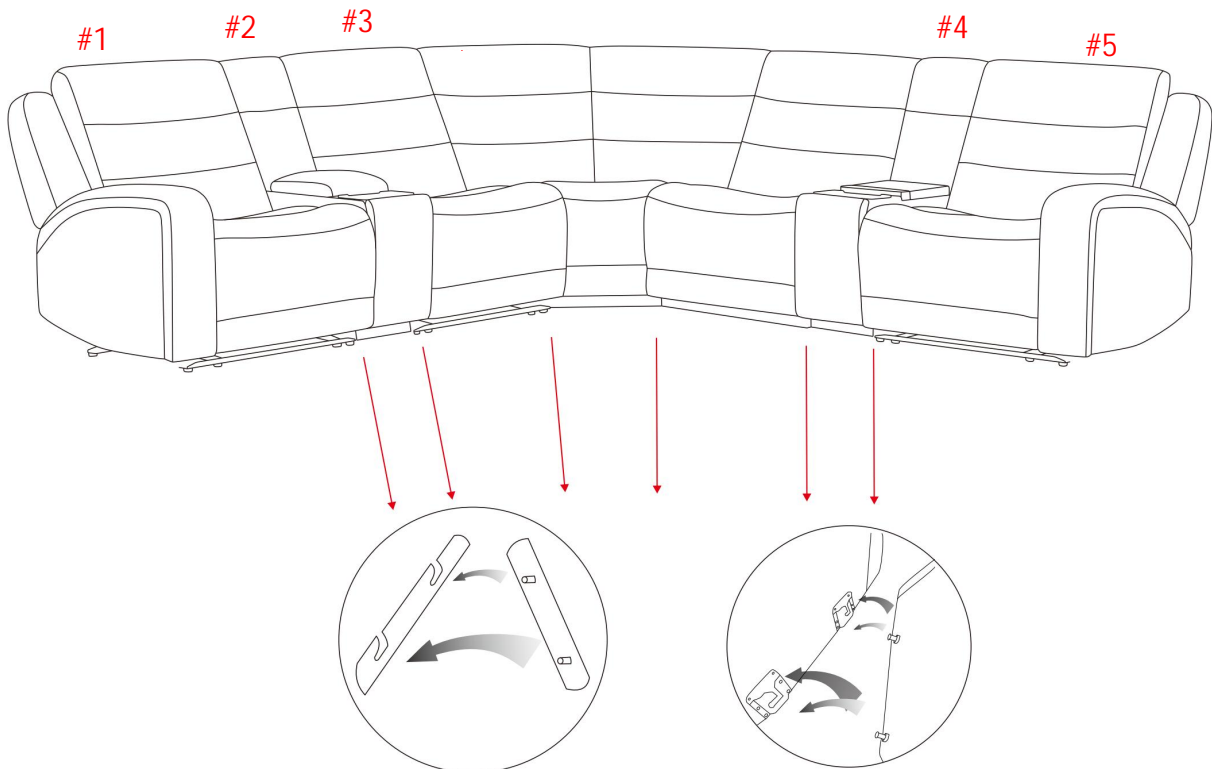


Seat contains 2.2 Density Foam, backrest contains 100% Fiber.

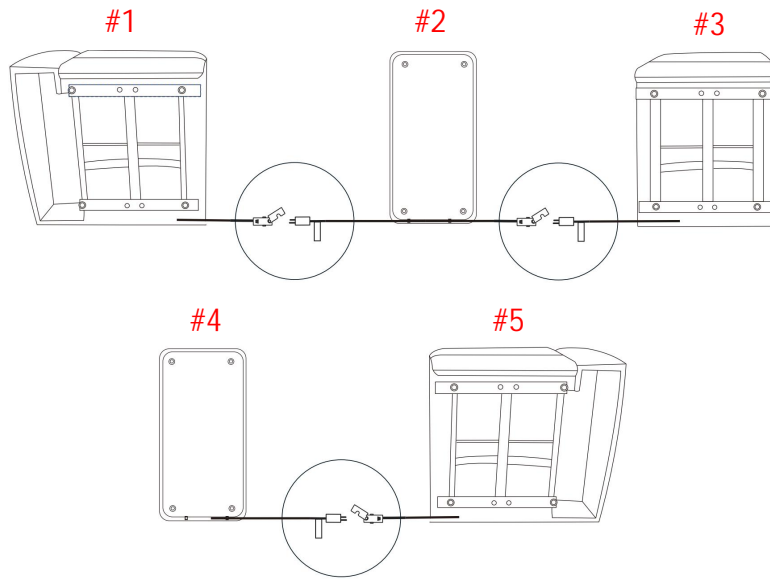
Sectional Connect

1. Begin sectional connection by placing the pieces in the desired location in the room. Connect the pieces together using the brackets on the sides of each piece.
2. Locate the wire plug on sectional piece #5 and latch it to the wire receiver #4. Follow the same latching wire connection instructions for the remaining pieces 1-2-3 on opposite side. Use velcro provided on the bottom seat rails of each seat recliner to secure connection wires.
 Note: Stationary pieces such as the corner and armless stationary chair, that do not join to a power recliner piece will not be required to be connected, therefore pls buckle the unused by-pass wire as shown below.
3. Connect firmly one end of the wall plug transformer cord into the DC adapter located in the lower back corner of LAF/RAF Recliner and plug the other end into a power outlet/wall socket and enjoy.
 Note: After all connections made, the green LED will be lit up.

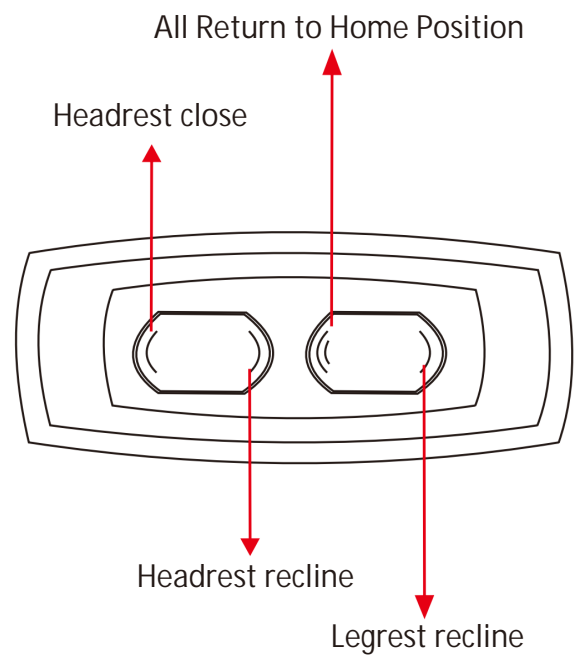
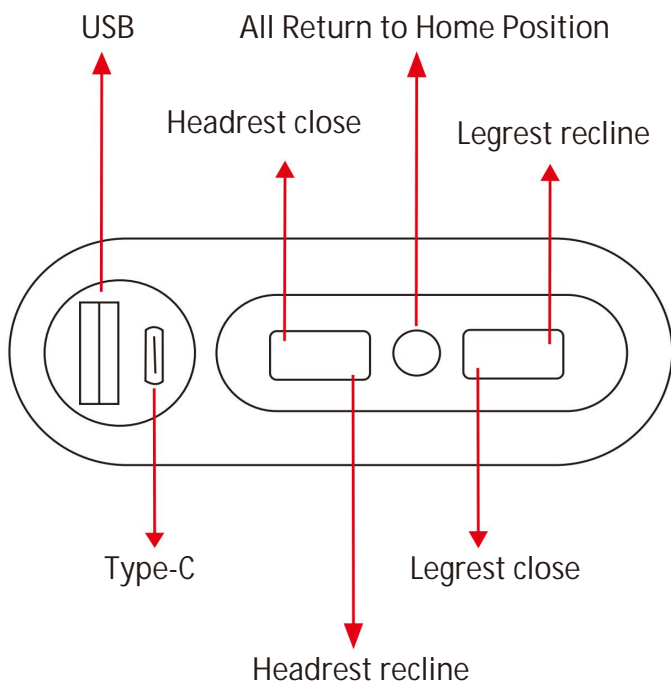
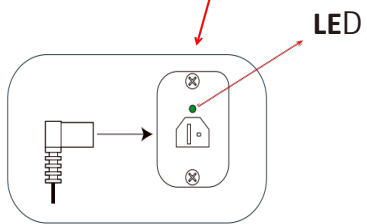
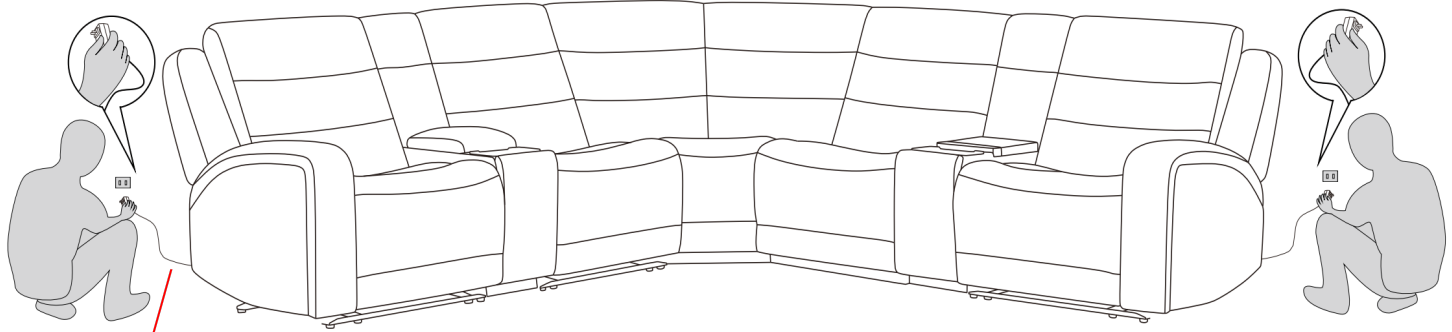
1.



2.



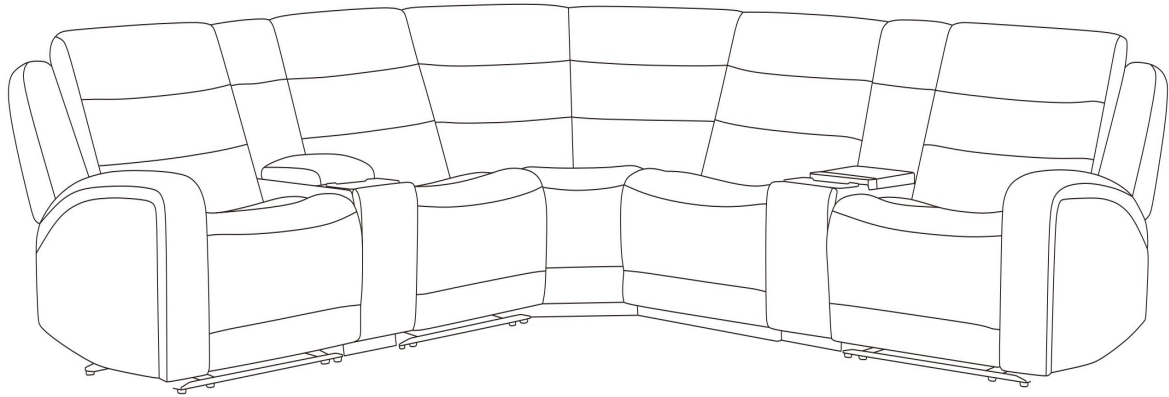
3.





Parker Living
A Division of Parker House

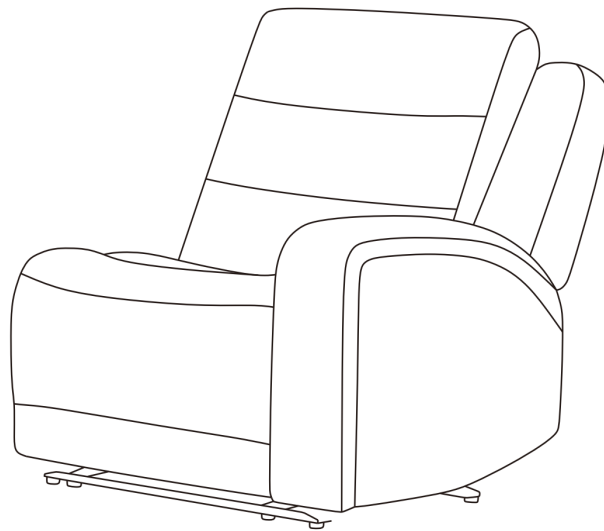
Assembly Instructions Felix Sectional



BEFORE ASSEMBLY





Thank you for purchasing this quality product. This product has been designed for easy assembly and constructed for durability. Please take the time to read and follow the assembly instructions carefully.

Power Right Arm Facing Recliner



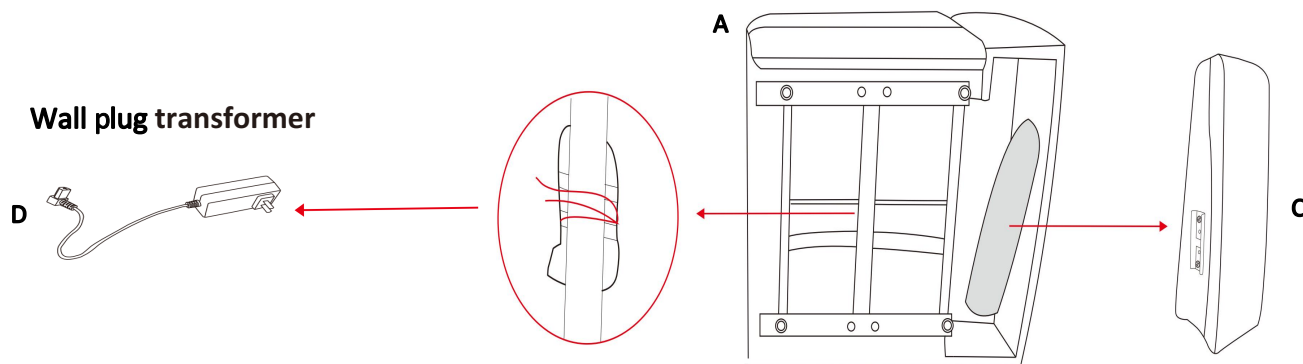
Part List

When unpacking, please be careful not to discard any parts with the packaging. Before continuing, please make sure you have the following parts:

No	Description	Sketch	Qty
A	Seat		1 PC
B	Backrest		1 PC
C	RAF Wing		1 PC
D	Wall plug transformer		1 PC

Step 1

There are one wing under the seat. Remove LAF Wing(C) from under seat. Meanwhile, untie the wall plug transformer(D) .



Step 2

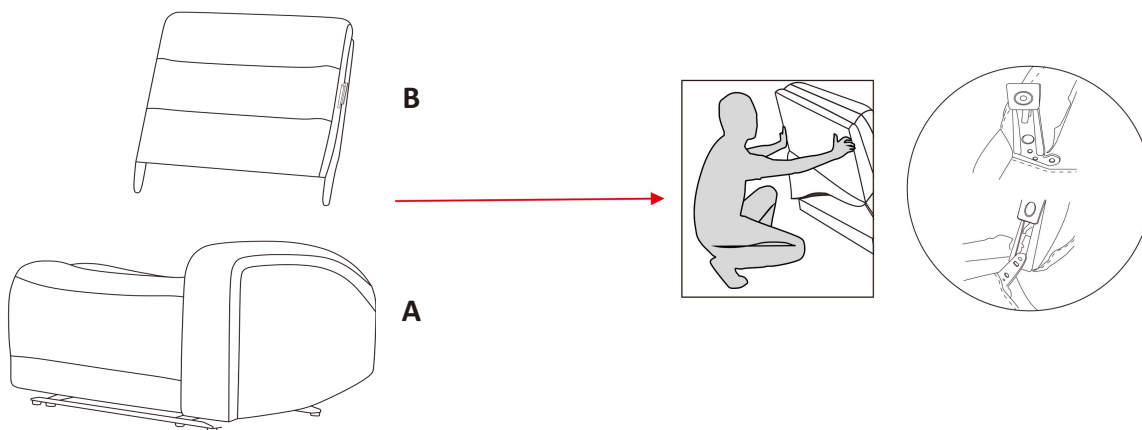
1. Install the Backrest(B) into the Seat(A) by positioning the female metal receiver brackets over the male metal posts. Ensure that female metal receiver brackets on each side of the backrest line up with the seat metal posts. Push down the female brackets over male posts simultaneously until each side is locked into the male metal posts.

2. Install the RAF Wing(C) by sliding wing in a downward motion along the side of the seat back to connect the brackets.

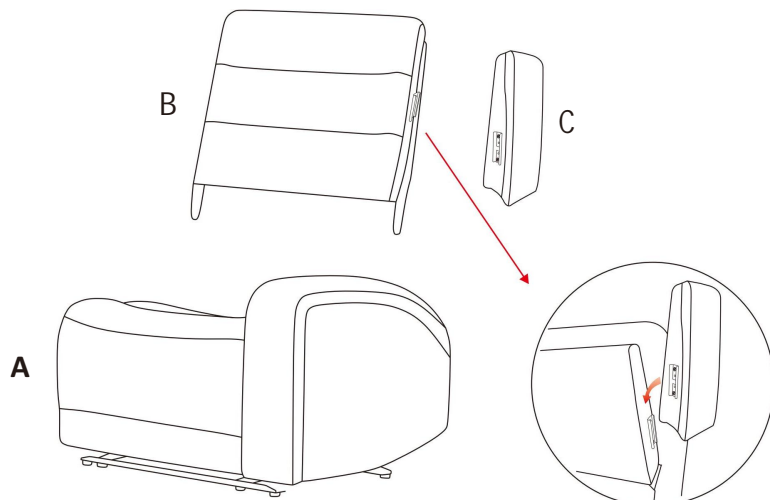
3. Connect the wire firmly as shown in the diagram.

4. Attach the flap to the seat frame by pulling the flap down, and pressing the bottom hem under the seat base, connecting the velcro.

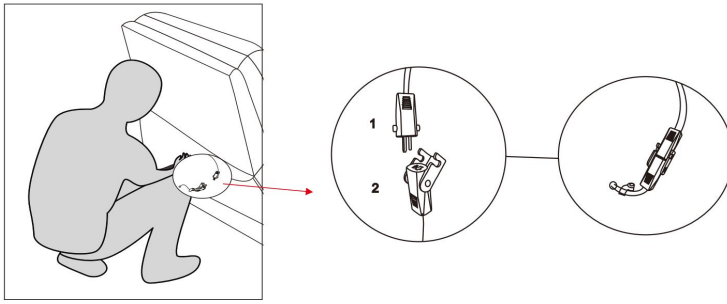
1.



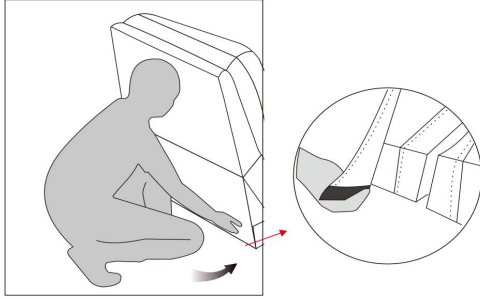
2.



3.



4.

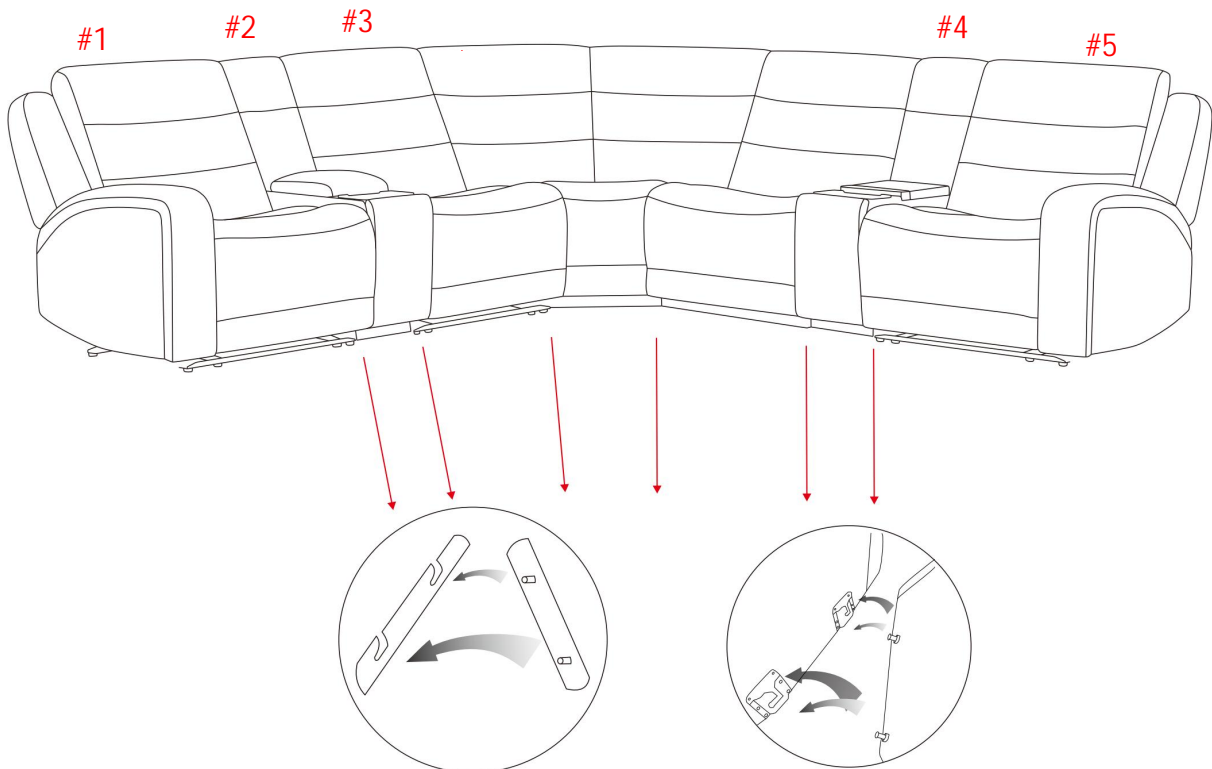


Seat contains 2.2 Density Foam, backrest contains 100% Fiber.

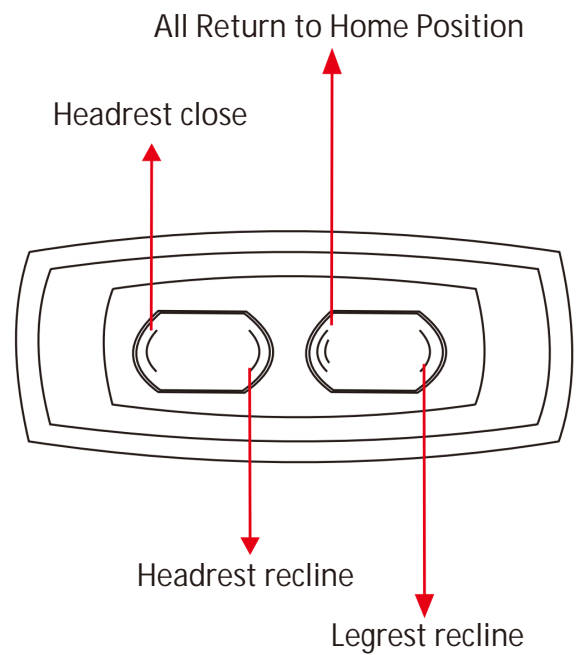
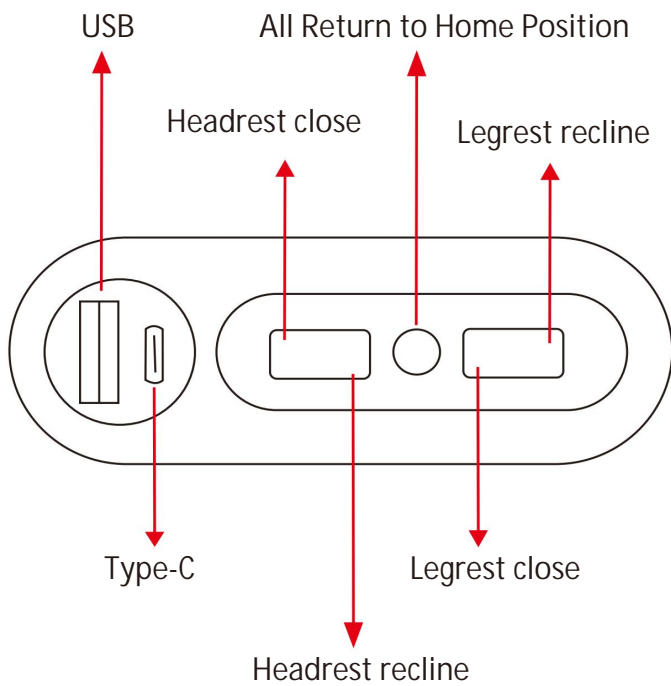
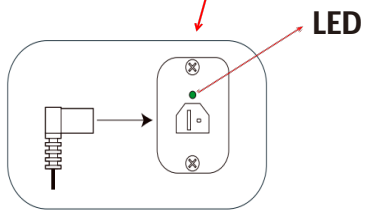
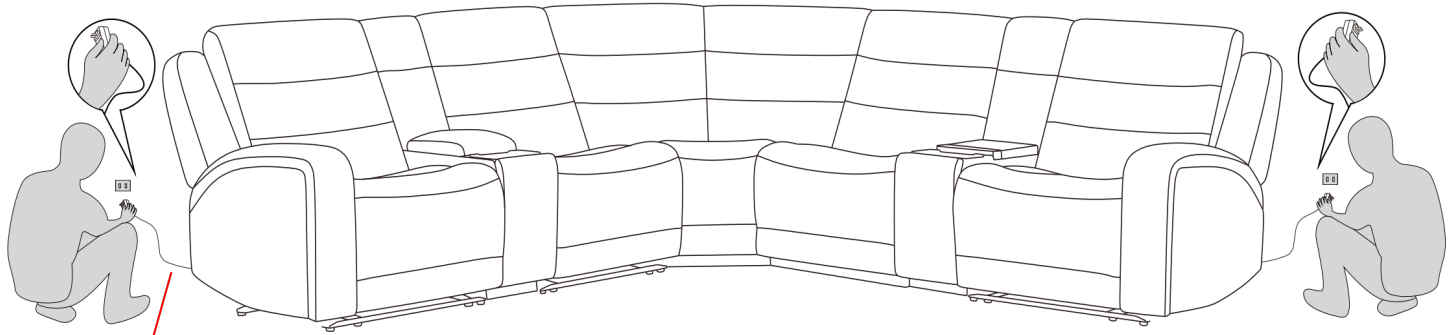
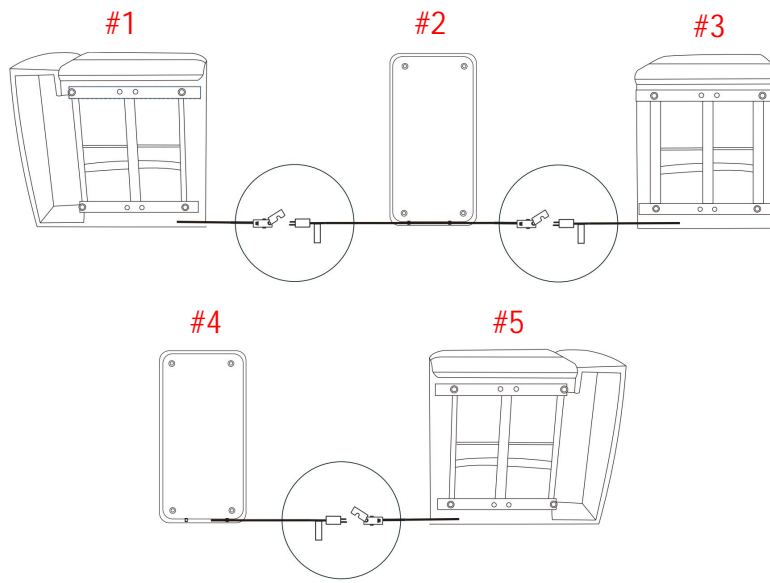
Sectional Connect

1. Begin sectional connection by placing the pieces in the desired location in the room. Connect the pieces together using the brackets on the sides of each piece.
2. Locate the wire plug on sectional piece #5 and latch it to the wire receiver #4. Follow the same latching wire connection instructions for the remaining pieces 1-2-3 on opposite side. Use velcro provided on the bottom seat rails of each seat recliner to secure connection wires.
Note: Stationary pieces such as the corner and armless stationary chair, that do not join to a power recliner piece will not be required to be connected, therefore pls buckle the unused by-pass wire as shown below.
3. Connect firmly one end of the wall plug transformer cord into the DC adapter located in the lower back corner of LAF/RAF Recliner and plug the other end into a power outlet/wall socket and enjoy.
Note: After all connections made, the green LED will be lit up.

1.

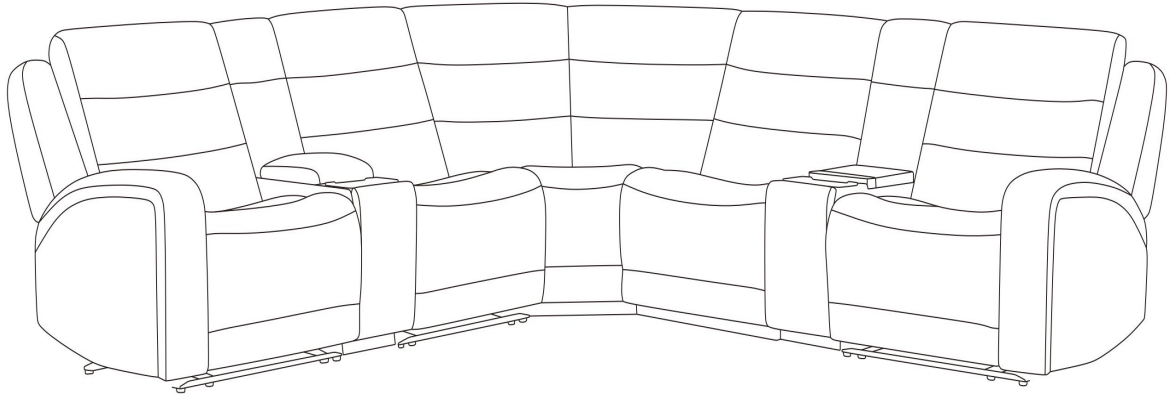


2.



Assembly Instructions

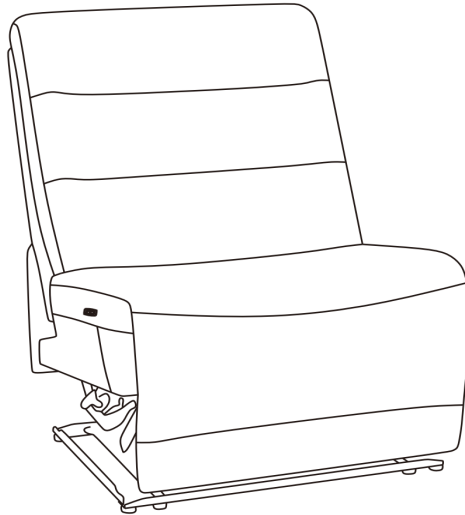
Felix Sectional



BEFORE ASSEMBLY

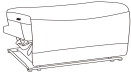

Thank you for purchasing this quality product. This product has been designed for easy assembly and constructed for durability. Please take the time to read and follow the assembly instructions carefully.

Power Armless Recliner



Part List

When unpacking, please be careful not to discard any parts with the packaging. Before continuing, please make sure you have the following parts:

No	Description	Sketch	Qty
A	Seat		1 PC
B	Backrest		1 PC

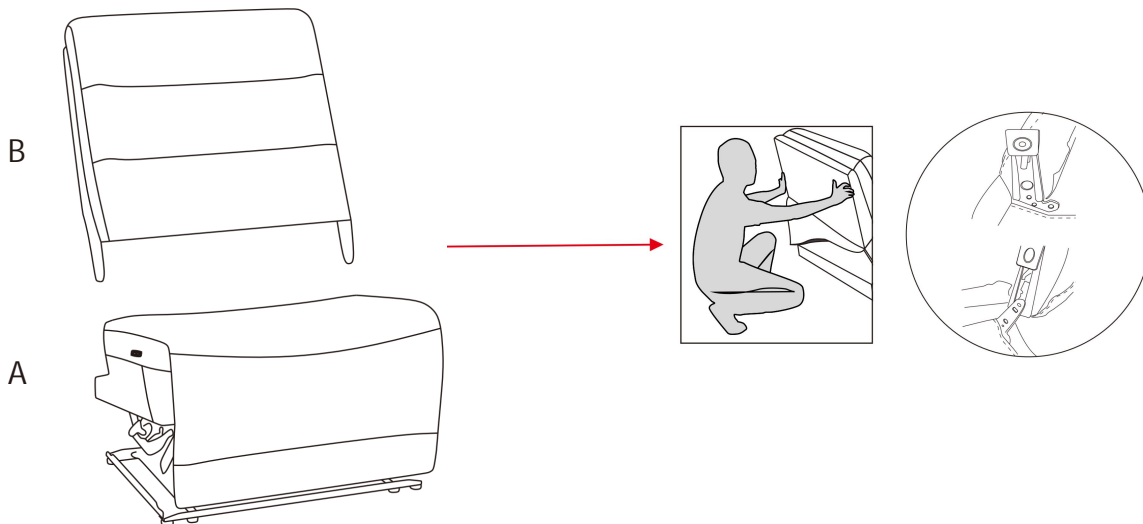
Step 1

1. Install the Backrest(B) into the Seat(A) by positioning the female metal receiver brackets over the male metal posts. Ensure that female metal receiver brackets on each side of the backrest are line up with the seat metal posts. Push down the female brackets over male posts simultaneously until each side is locked into the male metal posts.

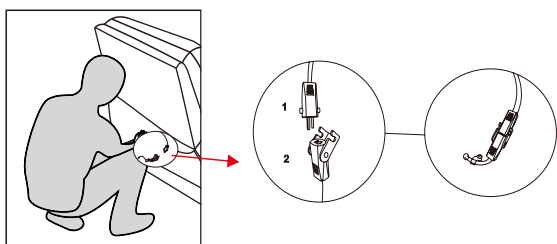
2. Connect the wire.

3. Attach the flap to the seat frame by pulling the flap down, and pressing the bottom hem under the seat base, connecting the velcro.

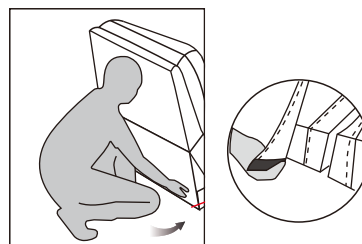
1.



2.



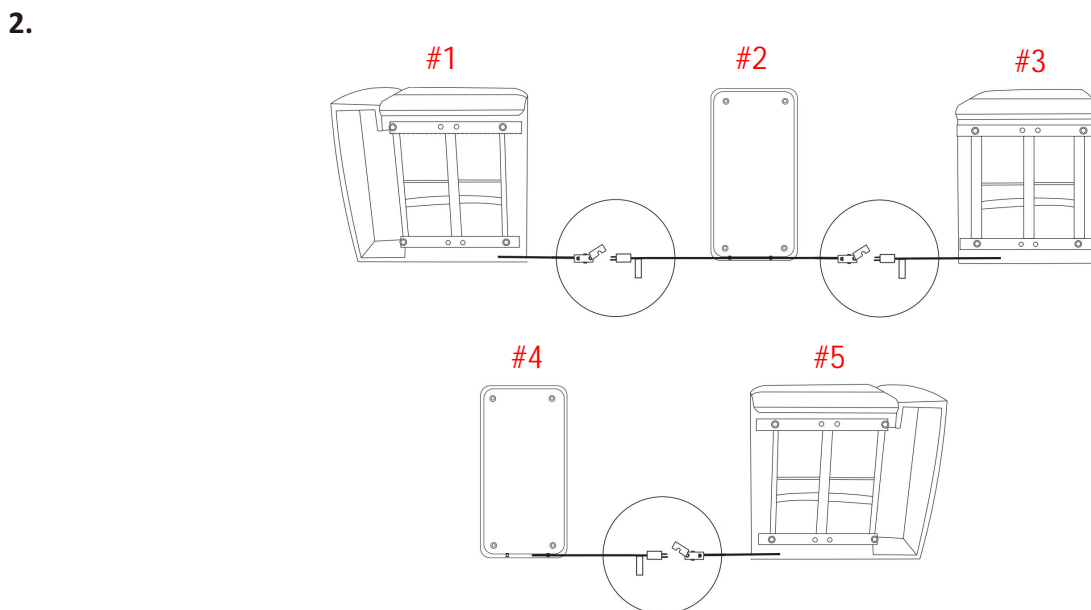
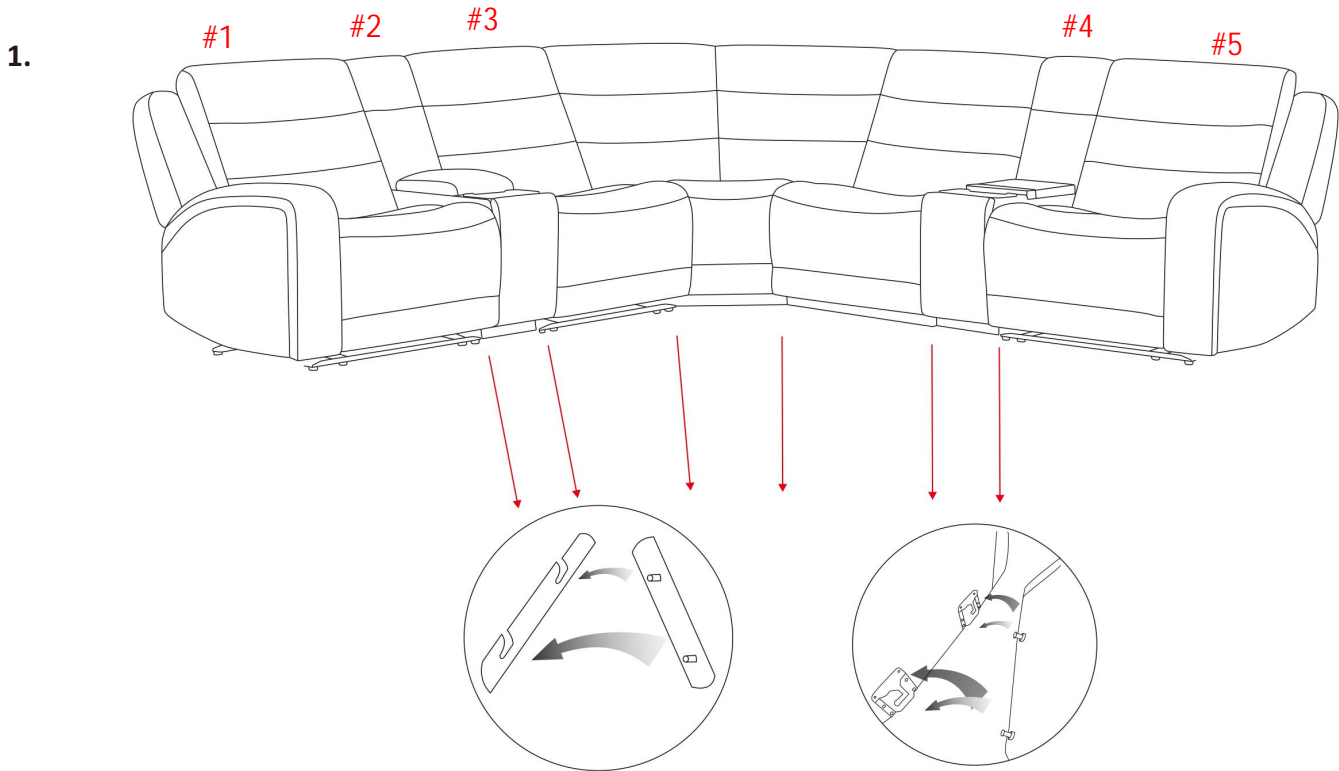
3.



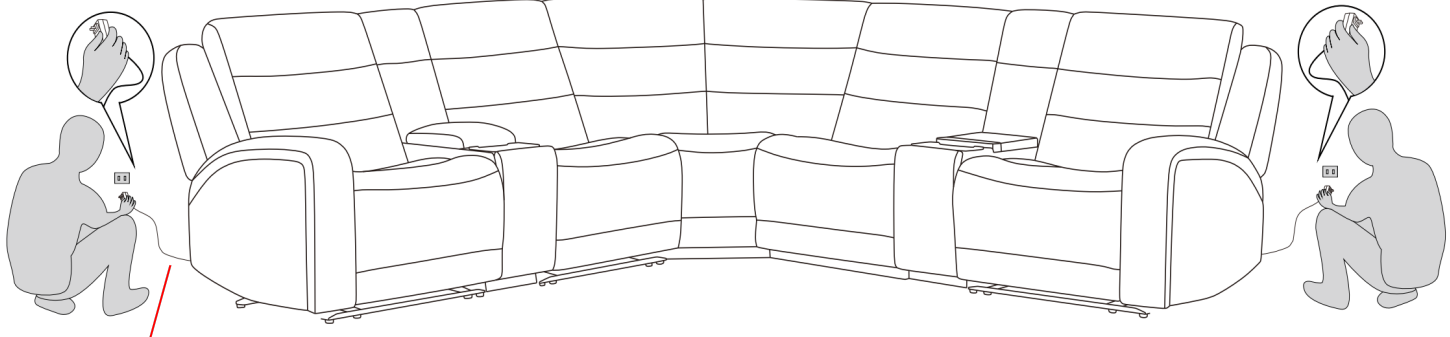
Seat contains 2.2 Density Foam, Back Cushion contains 100% Fiber.

Sectional Connect

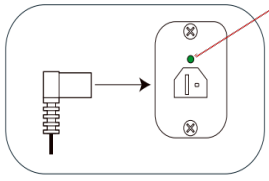
1. Begin sectional connection by placing the pieces in the desired location in the room. Connect the pieces together using the brackets on the sides of each piece.
2. Locate the wire plug on sectional piece #5 and latch it to the wire receiver #4. Follow the same latching wire connection instructions for the remaining pieces 1-2-3 on opposite side. Use velcro provided on the bottom seat rails of each seat recliner to secure connection wires.
Note: Stationary pieces such as the corner and armless stationary chair, that do not join to a power recliner piece will not be required to be connected, therefore pls buckle the unused by-pass wire as shown below.
3. Connect firmly one end of the wall plug transformer cord into the DC adapter located in the lower back corner of LAF/RAF Recliner and plug the other end into a power outlet/wall socket and enjoy.
Note: After all connections made, the green LED will be lit up.



3.



LED

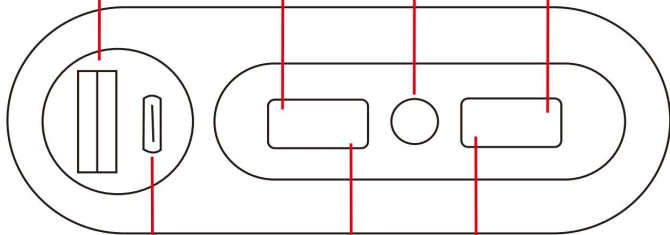


USB

All Return to Home Position

Headrest close

Legrest recline



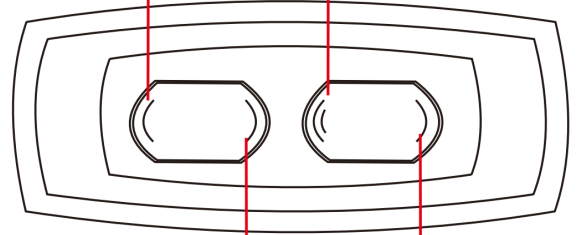
Type-C

Legrest close

Headrest recline

All Return to Home Position

Headrest close

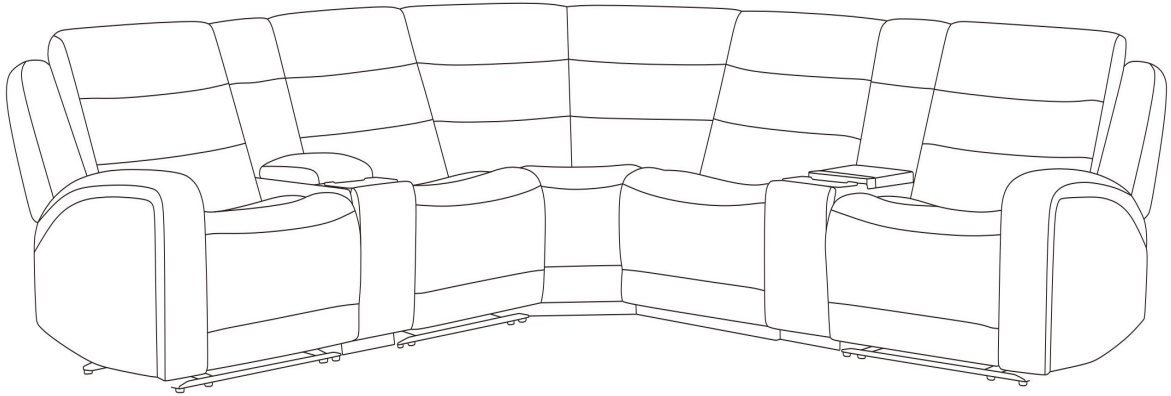


Headrest recline

Legrest recline

Assembly Instructions

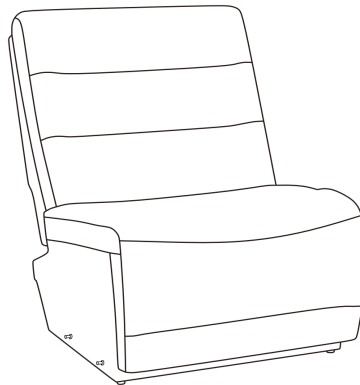
Felix Sectional



BEFORE ASSEMBLY



Thank you for purchasing this quality product. This product has been designed for easy assembly and constructed for durability. Please take the time to read and follow the assembly instructions carefully.

Armless Chair



Part List

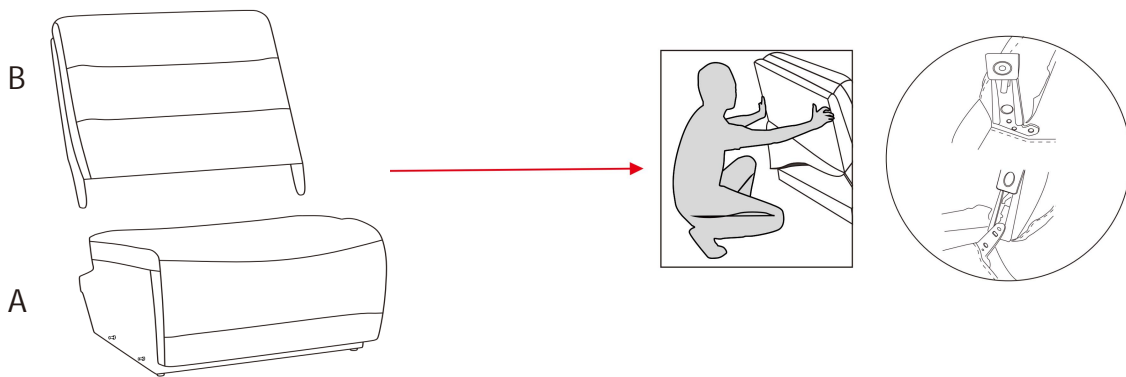
When unpacking, please be careful not to discard any parts with the packaging. Before continuing, please make sure you have the following parts:

No	Description	Sketch	Qty
A	Seat		1 PC
B	Backrest		1 PC

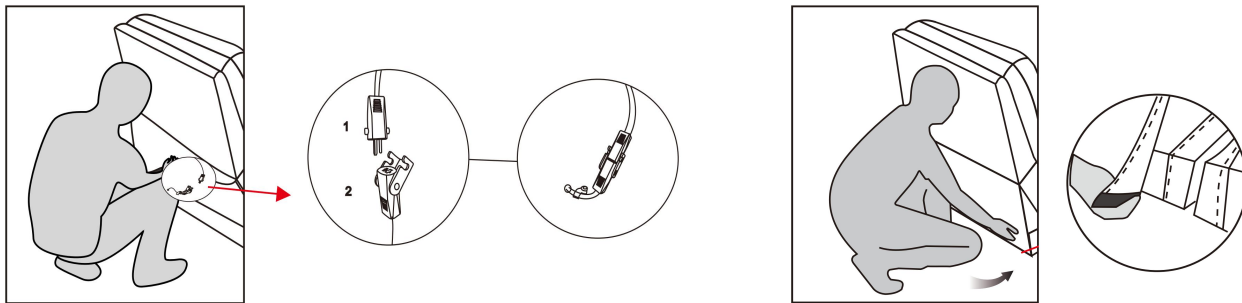
Step 1

1. Install the Backrest(B) into the Seat(A) by positioning the female metal receiver brackets over the male metal posts. Ensure that female metal receiver brackets on each side of the backrest are line up with the seat metal posts. Push down the female brackets over male posts simultaneously until each side is locked into the male metal posts.
2. Attach the flap to the seat frame by pulling the flap down, and pressing the bottom hem under the seat base, connecting the velcro.

1.



2.



Seat contains 2.2 Density Foam, Back Cushion contains 100% Fiber.

Sectional Connect

1. Begin sectional connection by placing the pieces in the desired location in the room. Connect the pieces together using the brackets on the sides of each piece.

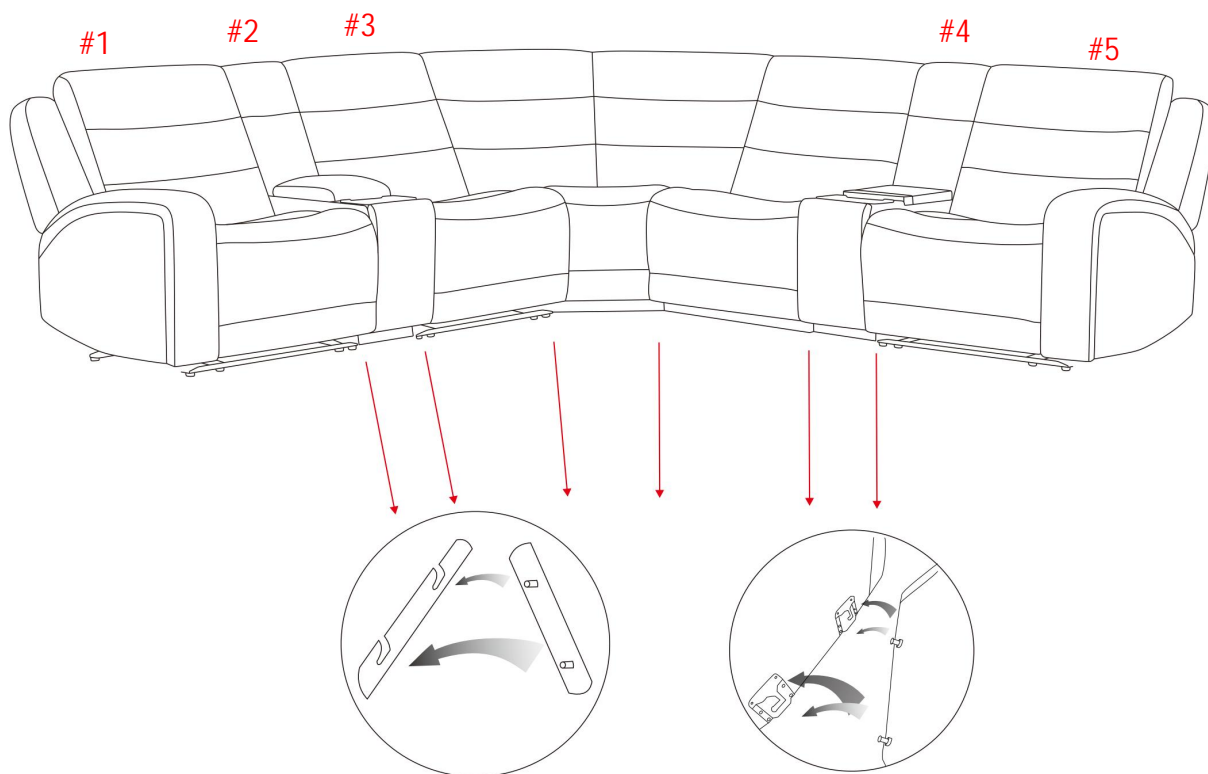
2. Locate the wire plug on sectional piece #5 and latch it to the wire receiver #4. Follow the same latching wire connection instructions for the remaining pieces 1-2-3 on opposite side.

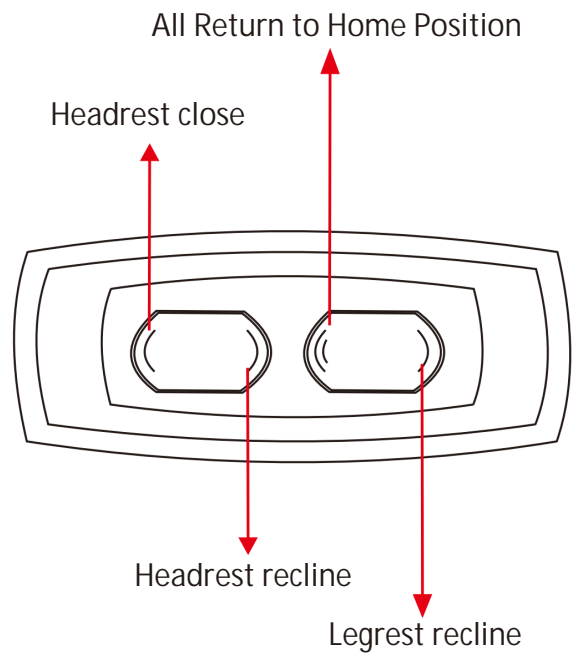
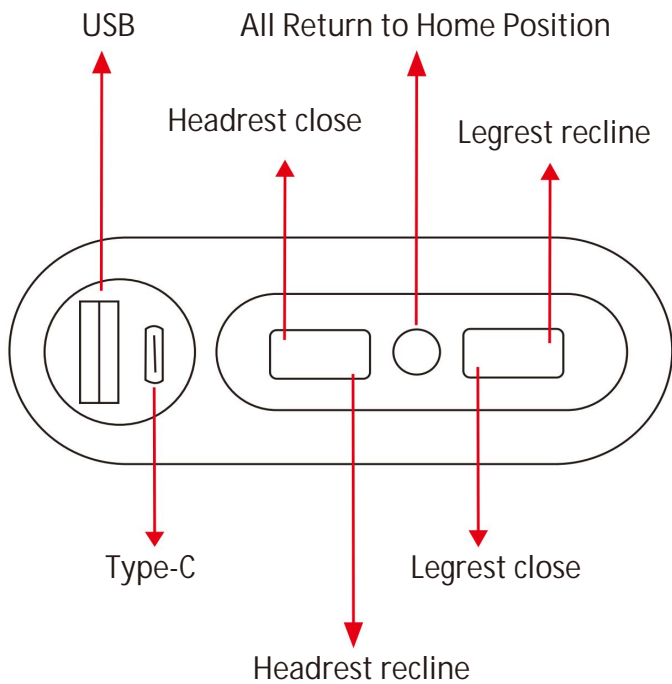
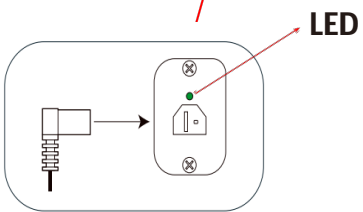
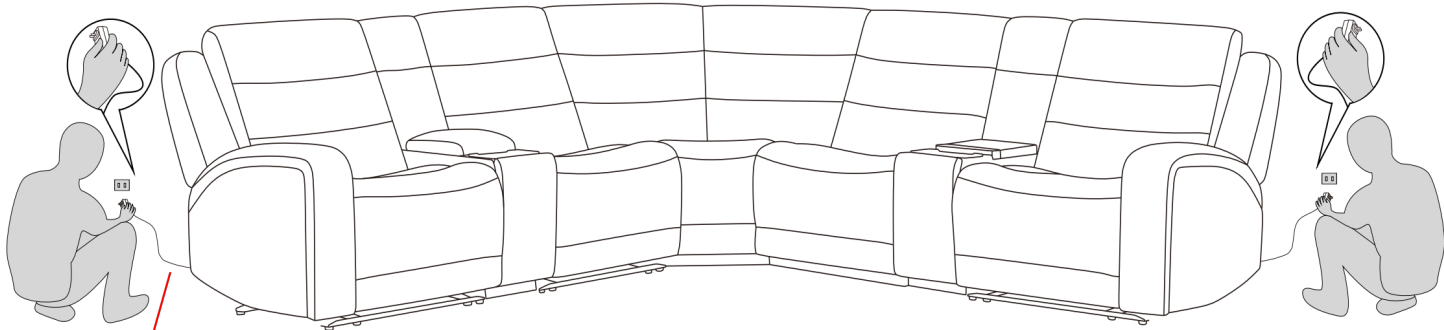
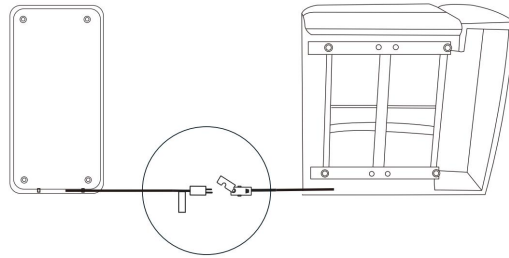
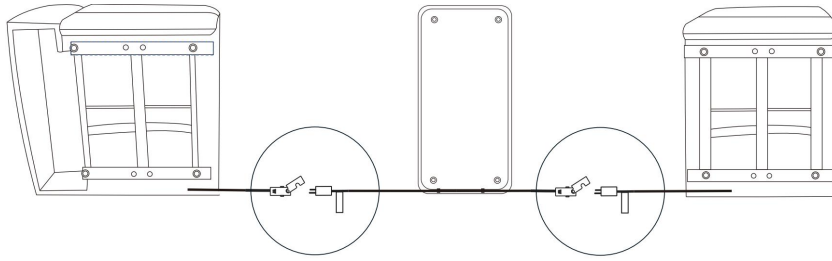
Note: Stationary pieces such as the corner and armless stationary chair, that do not join to a power recliner piece will not be required to be connected, therefore pls buckle the unused by-pass wire as shown below.

3. Connect firmly one end of the wall plug transformer cord into the DC adapter located in the lower back corner of LAF/RAF Recliner and plug the other end into a power outlet/wall socket and enjoy.

Note: After all connections made, the green LED will be lit up.

1.

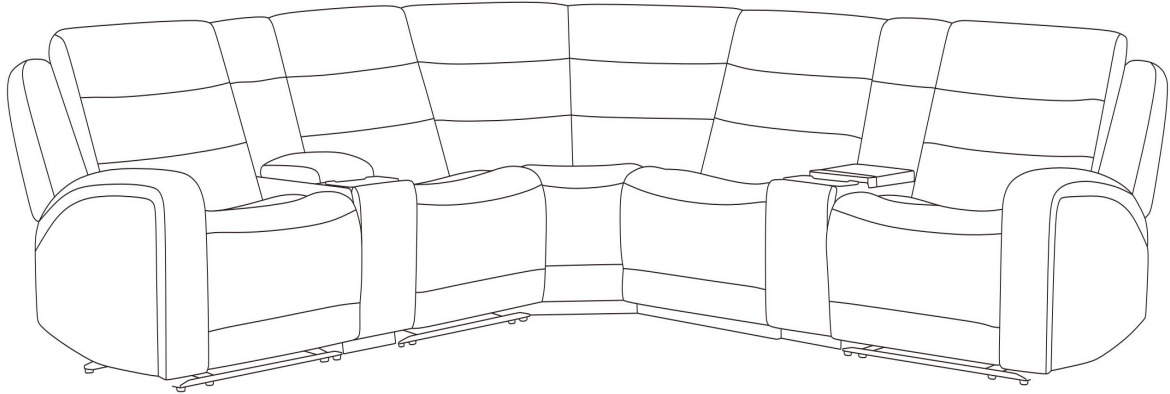






Parker Living
A Division of Parker House

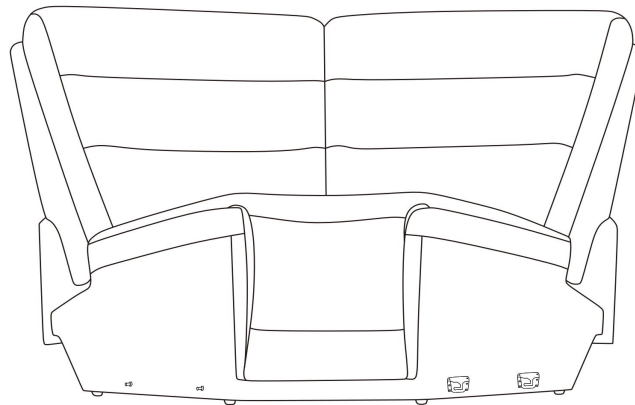
Assembly Instructions Felix Sectional



BEFORE ASSEMBLY




Thank you for purchasing this quality product. This product has been designed for easy assembly and constructed for durability. Please take the time to read and follow the assembly instructions carefully.

Corner Wedge



Part List

When unpacking, please be careful not to discard any parts with the packaging. Before continuing, please make sure you have the following parts:

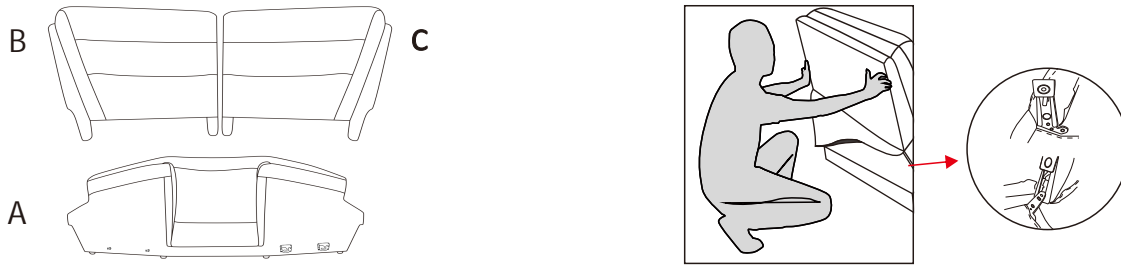
No	Description	Sketch	Qty
A	Seat		1 PC
B	LAF Backrest		1 PC
C	RAF Backrest		1 PC

Step 1

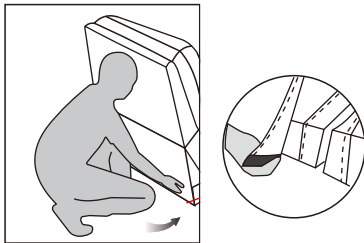
1. Install the Backrest(B/C) into the Seat(A) by positioning the female metal receiver brackets over the male metal posts. Ensure that female metal receiver brackets on each side of the backrest are line up with the seat metal posts. Push down the female brackets over male posts simultaneously until each side is locked into the male metal posts.

2. Attach the flap to the seat frame by pulling the flap down, and pressing the bottom hem under the seat base, connecting the velcro.

1.



2.



Seat contains 2.2 Density Foam, Back Cushion contains 100% Fiber

Sectional Connect

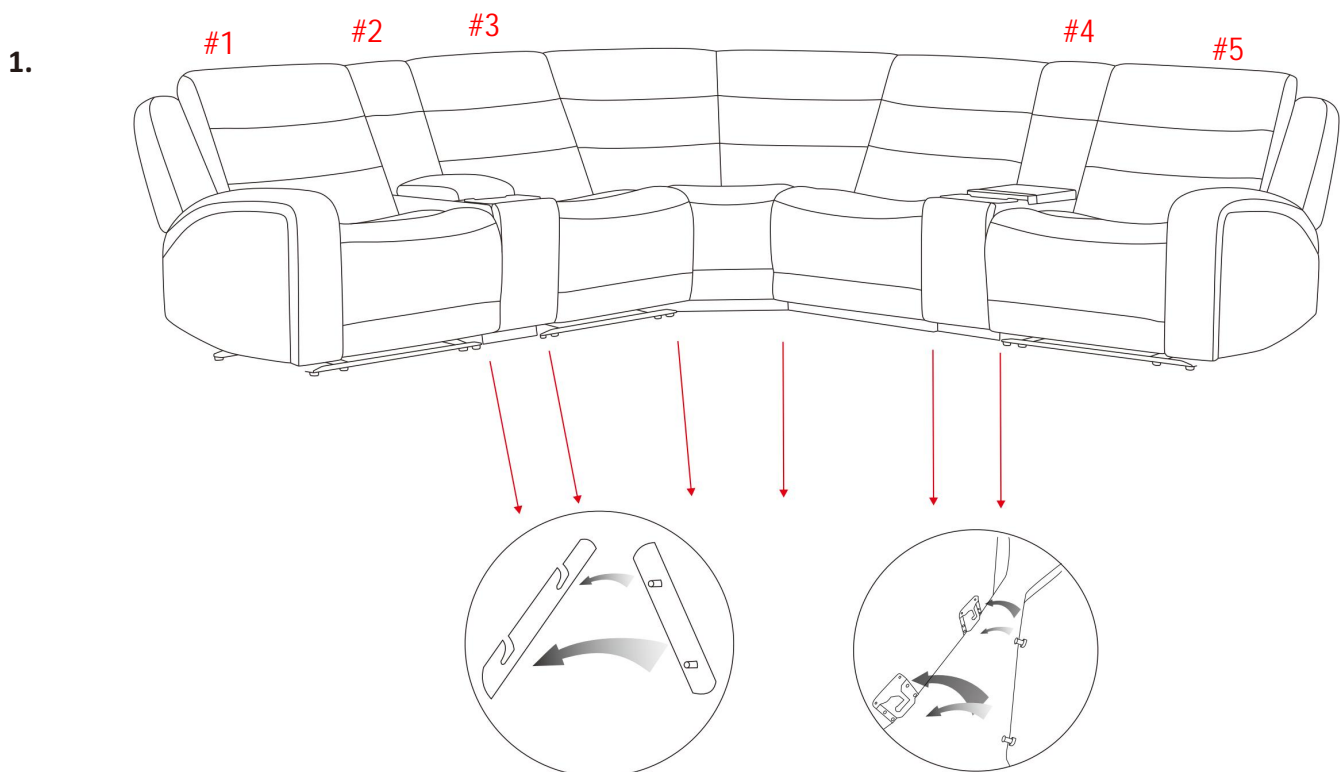
1. Begin sectional connection by placing the pieces in the desired location in the room. Connect the pieces together using the brackets on the sides of each piece.

2. Locate the wire plug on sectional piece #5 and latch it to the wire receiver #4. Follow the same latching wire connection instructions for the remaining pieces 1-2-3 on opposite side. Use velcro provided on the bottom seat rails of each seat recliner to secure connection wires.

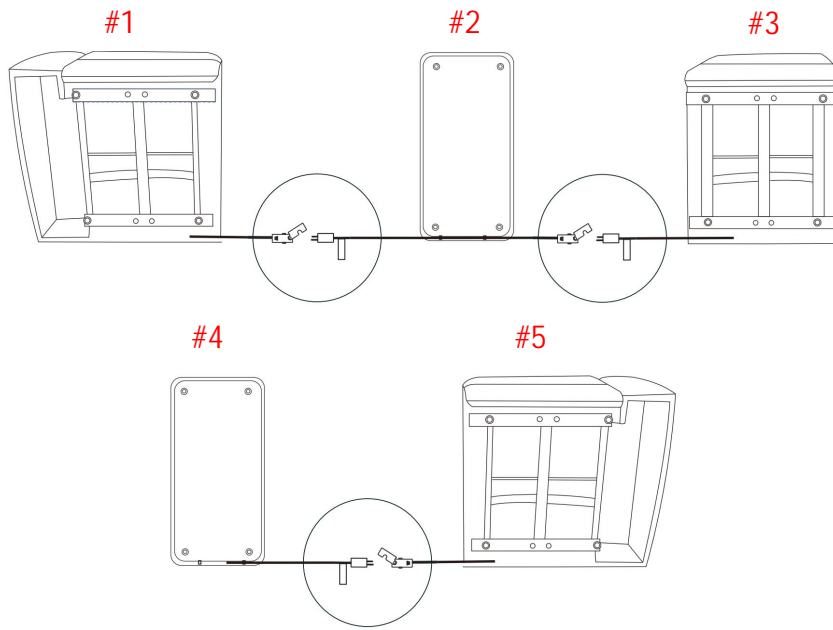
Note: Stationary pieces such as the corner and armless stationary chair, that do not join to a power recliner piece will not be required to be connected, therefore pls buckle the unused by-pass wire as shown below.

3. Connect firmly one end of the wall plug transformer cord into the DC adapter located in the lower back corner of LAF/RAF Recliner and plug the other end into a power outlet/wall socket and enjoy.

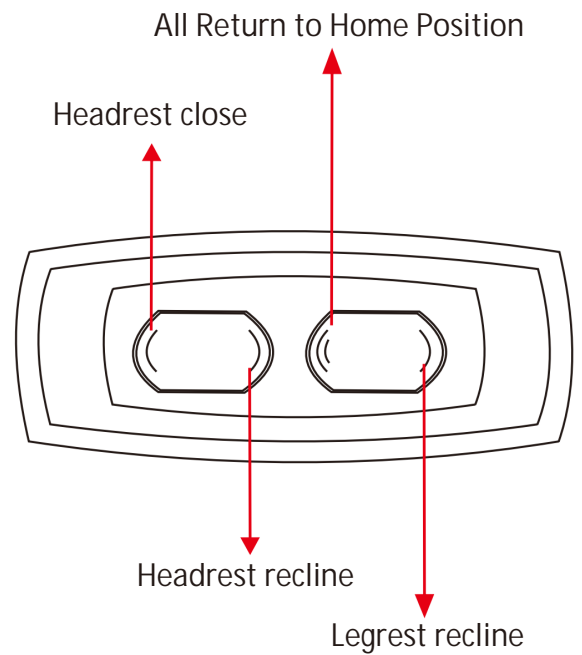
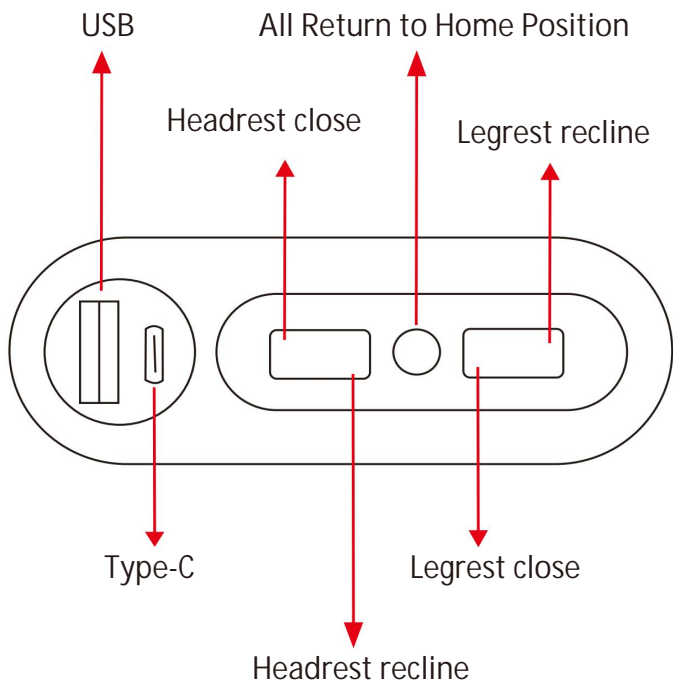
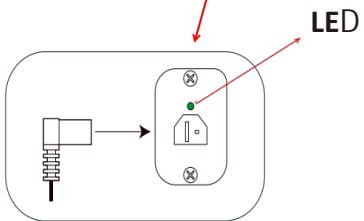
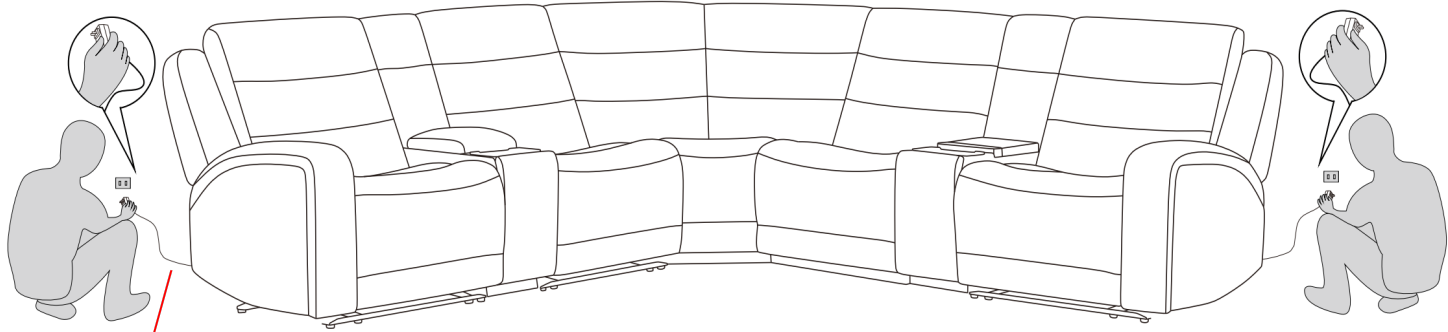
Note: After all connections made, the green LED will be lit up.



2.



3.

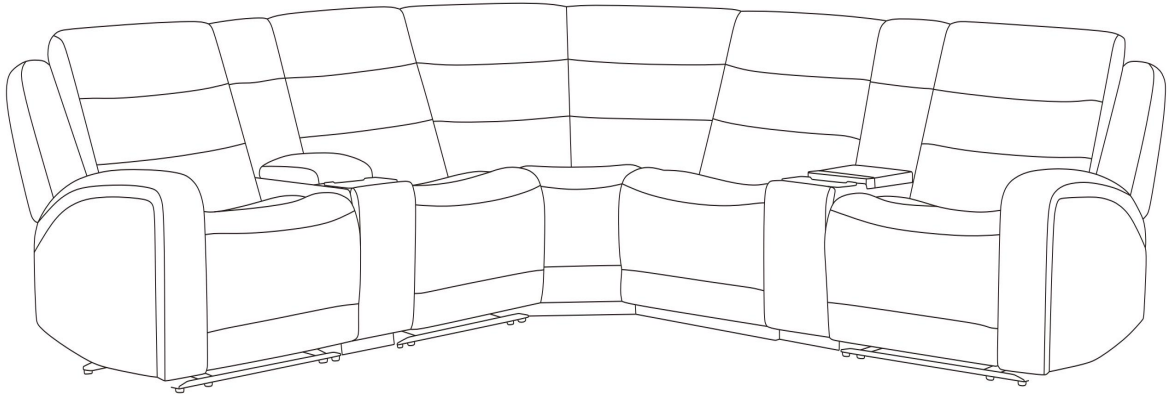




Parker Living
A Division of Parker House

Assembly Instructions

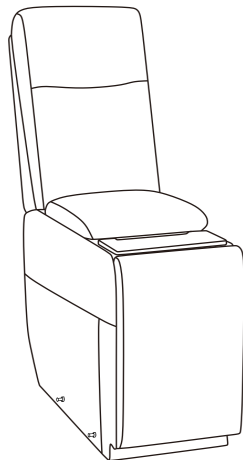
Felix Sectional



BEFORE ASSEMBLY




Thank you for purchasing this quality product. This product has been designed for easy assembly and constructed for durability. Please take the time to read and follow the assembly instructions carefully.

Power Tilt Console



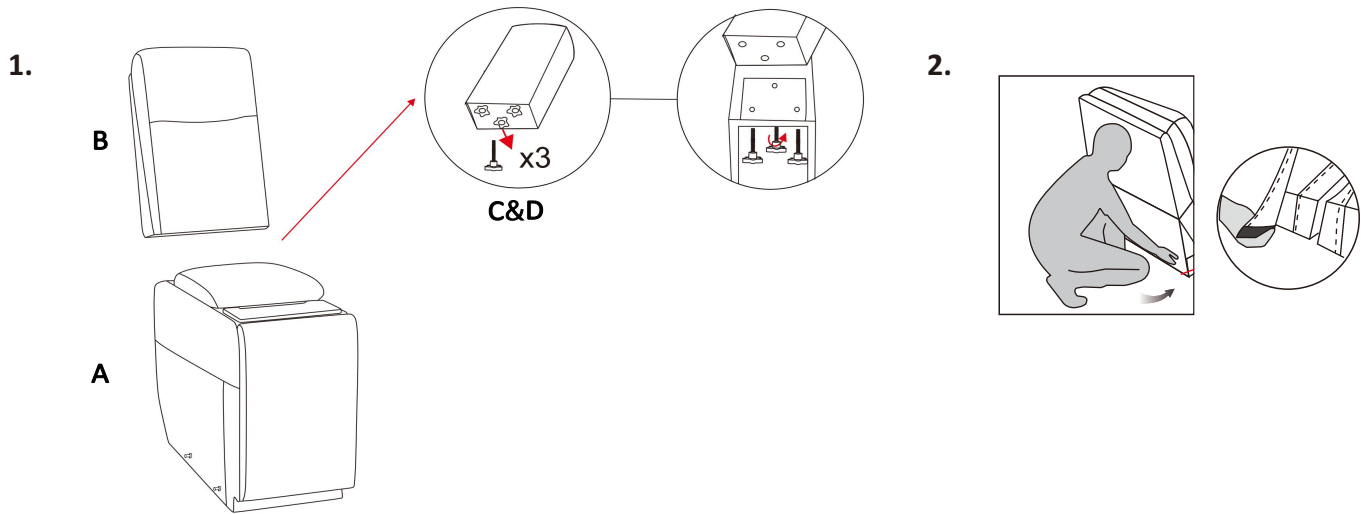
Part List

When unpacking, please be careful not to discard any parts with the packaging. Before continuing, please make sure you have the following parts:

No	Description	Sketch	Qty
A	Body		1 PC
B	Backrest		1 PC
C	Screw Base		3 PCS
D	Screw		3 PCS

Step 1

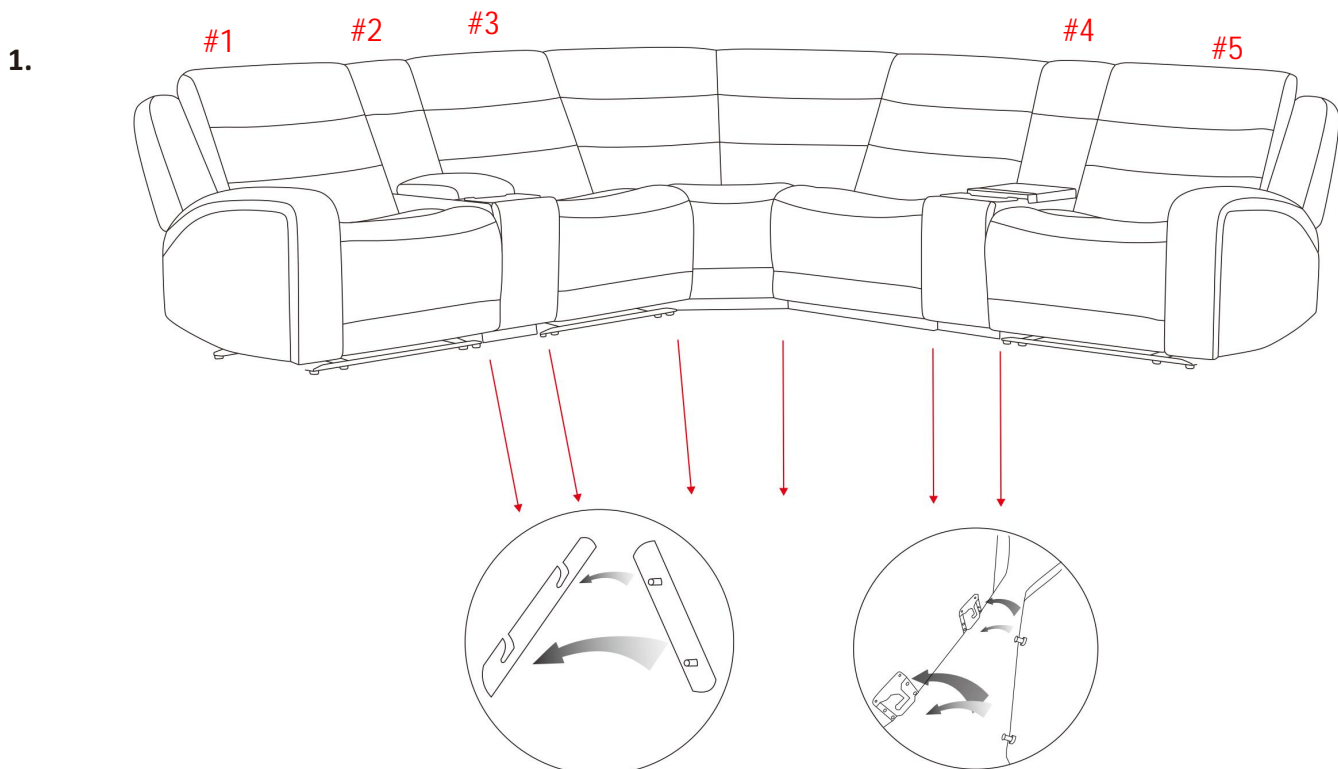
1. Take out the Backrest (B) from the bottom of the console and install the Backrest by inserting 3 screws (C&D) into predrilled holes on Console Body (A). Screw up from bottom to attach the console back.
2. Attach the flap to the seat frame by pulling the flap down, and pressing the bottom hem under the seat base, connecting the velcro.



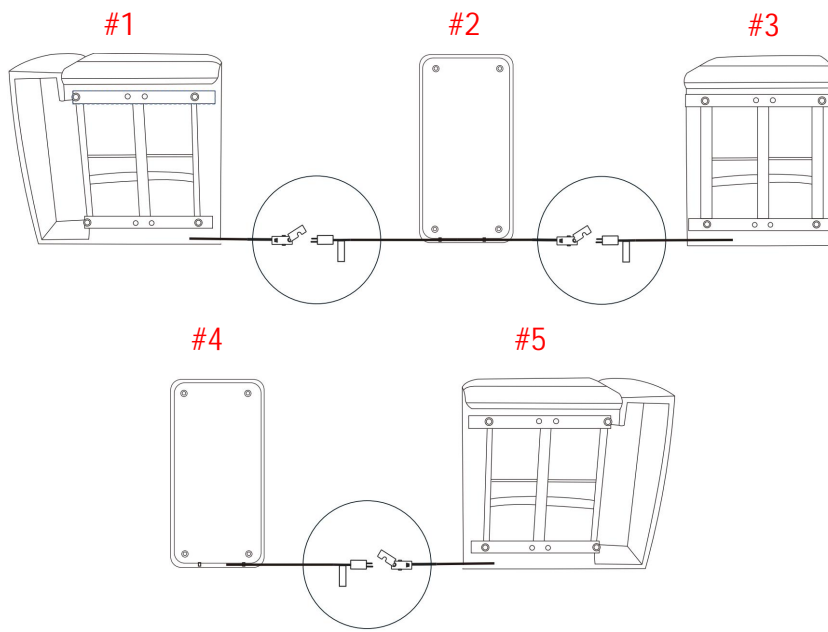
Seat contains 2.2 Density Foam, Back Cushion contains 100% Fiber.

Sectional Connect

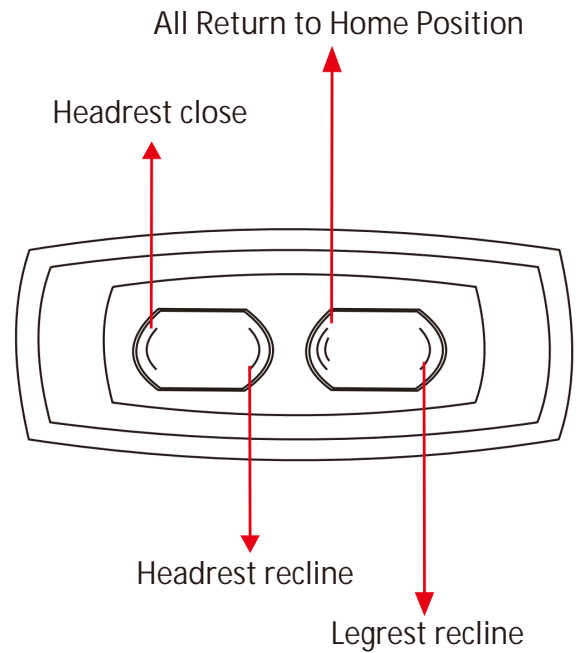
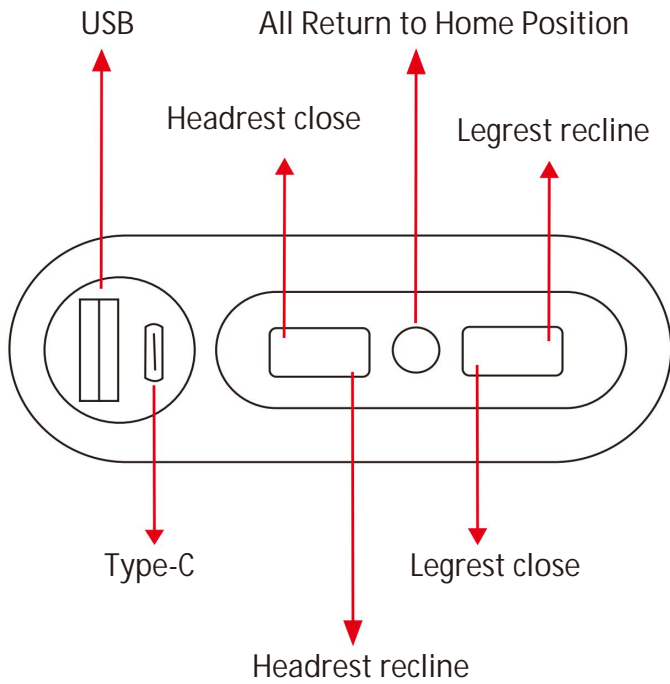
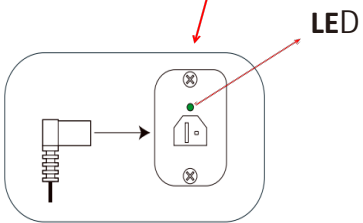
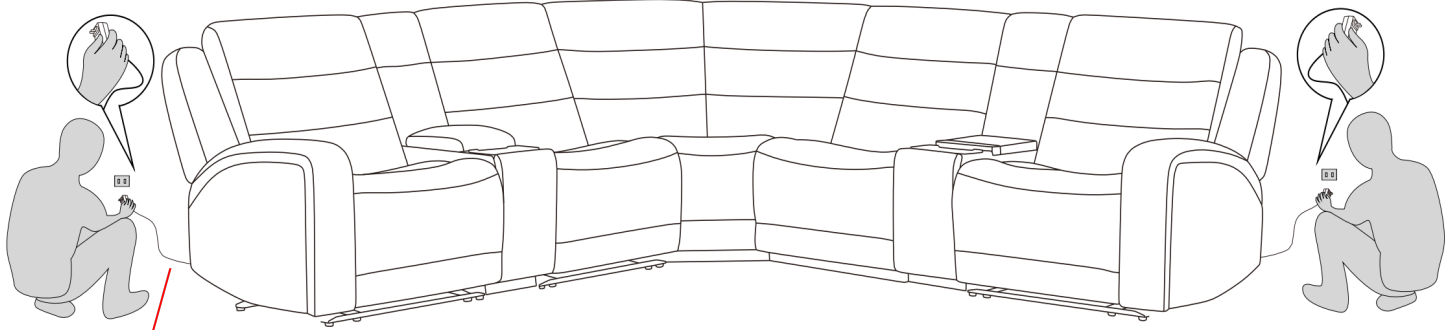
1. Begin sectional connection by placing the pieces in the desired location in the room. Connect the pieces together using the brackets on the sides of each piece.
2. Locate the wire plug on sectional piece #5 and latch it to the wire receiver #4. Follow the same latching wire connection instructions for the remaining pieces 1-2-3 on opposite side. Use velcro provided on the bottom seat rails of each seat recliner to secure connection wires.
Note: Stationary pieces such as the corner and armless stationary chair, that do not join to a power recliner piece will not be required to be connected, therefore pls buckle the unused by-pass wire as shown below.
3. Connect firmly one end of the wall plug transformer cord into the DC adapter located in the lower back corner of LAF/RAF Recliner and plug the other end into a power outlet/wall socket and enjoy.
Note: After all connections made, the green LED will be lit up.



2.



3.

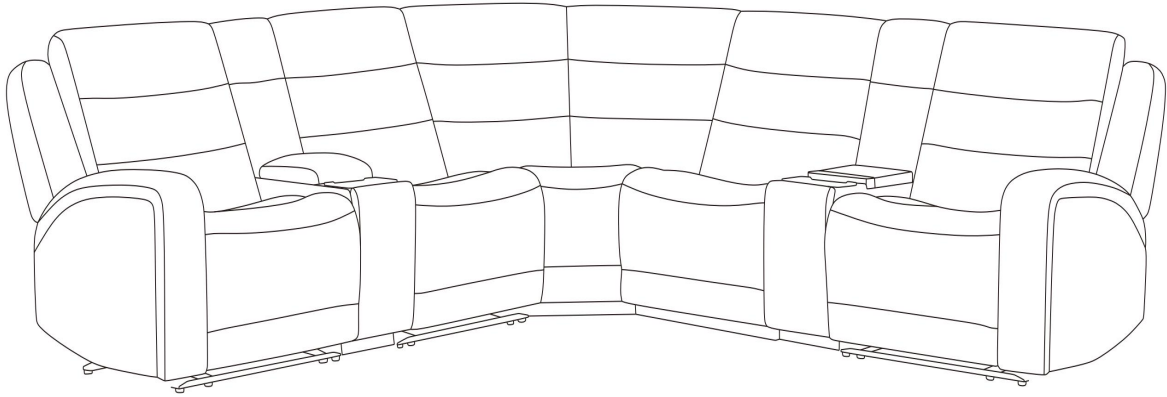




Parker Living
A Division of Parker House

Assembly Instructions

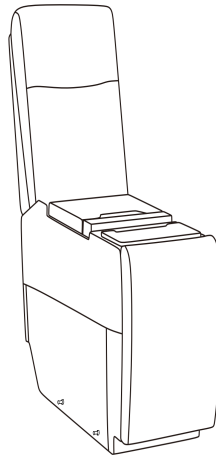
Felix Sectional



BEFORE ASSEMBLY





Thank you for purchasing this quality product. This product has been designed for easy assembly and constructed for durability. Please take the time to read and follow the assembly instructions carefully.

Power Tilt Console with Beverage Chiller



Part List

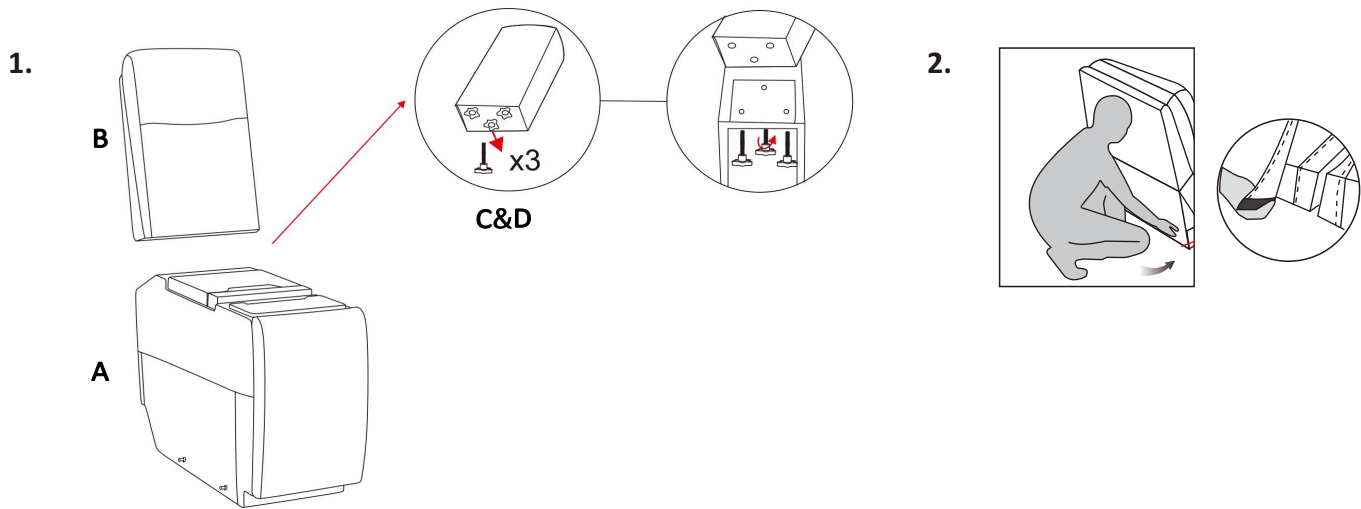
When unpacking, please be careful not to discard any parts with the packaging. Before continuing, please make sure you have the following parts:

No	Description	Sketch	Qty
A	Body		1 PC
B	Backrest		1 PC
C	Screw Base		3 PCS
D	Screw		3 PCS

Step 1

1. Take out the Backrest (B) from the bottom of the console and install the Backrest (B) by inserting 3 screws (C&D) into predrilled holes on Console Body (C). Screw up from bottom to attach the console back.

2. Attach the flap to the seat frame by pulling the flap down, and pressing the bottom hem under the seat base, connecting the velcro.



Seat contains 2.2 Density Foam, Back Cushion contains 100% Fiber.

Sectional Connect

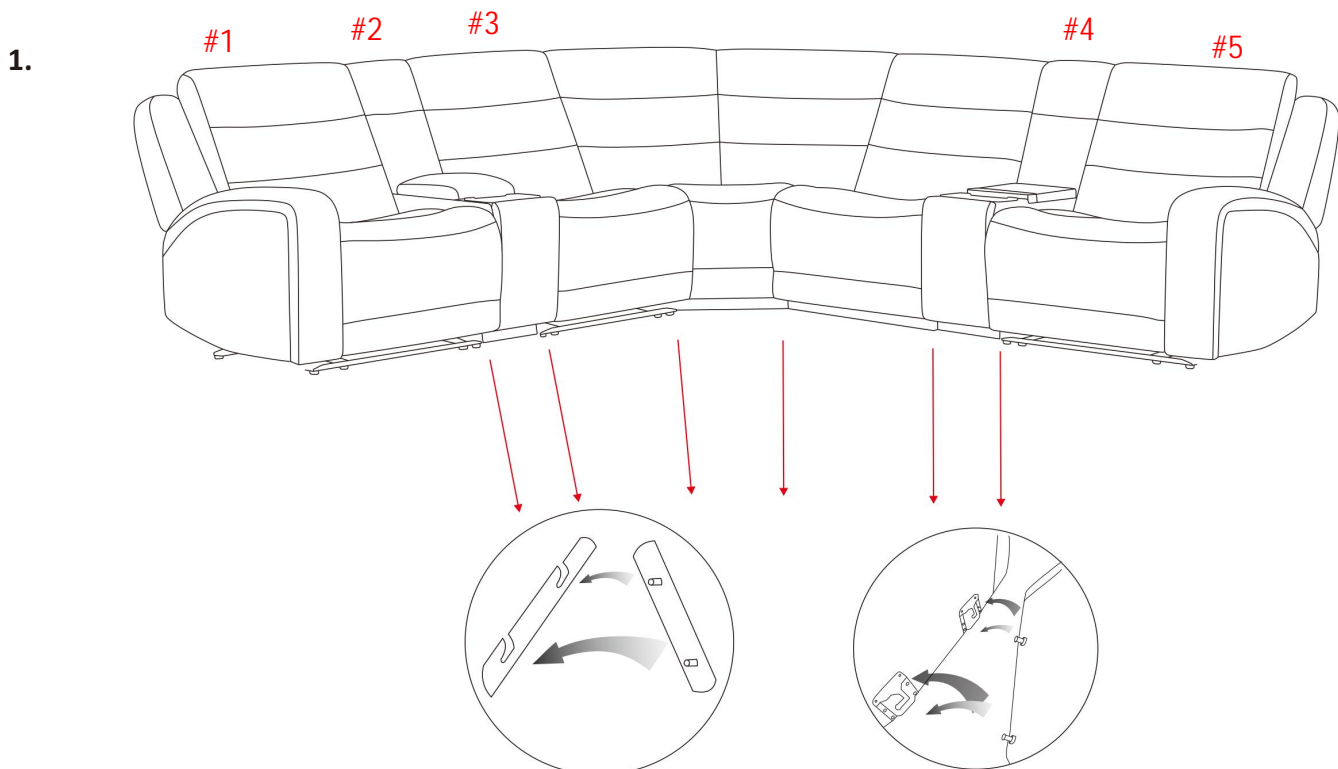
1. Begin sectional connection by placing the pieces in the desired location in the room. Connect the pieces together using the brackets on the sides of each piece.

2. Locate the wire plug on sectional piece #5 and latch it to the wire receiver #4. Follow the same latching wire connection instructions for the remaining pieces 1-2-3 on opposite side. Use velcro provided on the bottom seat rails of each seat recliner to secure connection wires.

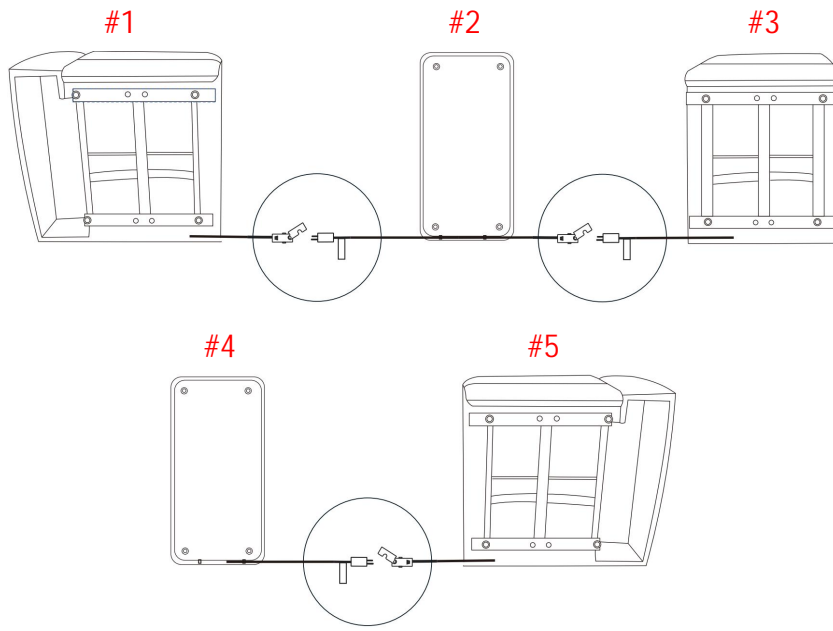
Note: Stationary pieces such as the corner and armless stationary chair, that do not join to a power recliner piece will not be required to be connected, therefore pls buckle the unused by-pass wire as shown below.

3. Connect firmly one end of the wall plug transformer cord into the DC adapter located in the lower back corner of LAF/RAF Recliner and plug the other end into a power outlet/wall socket and enjoy.

Note: After all connections made, the green LED will be lit up.



2.



3.

