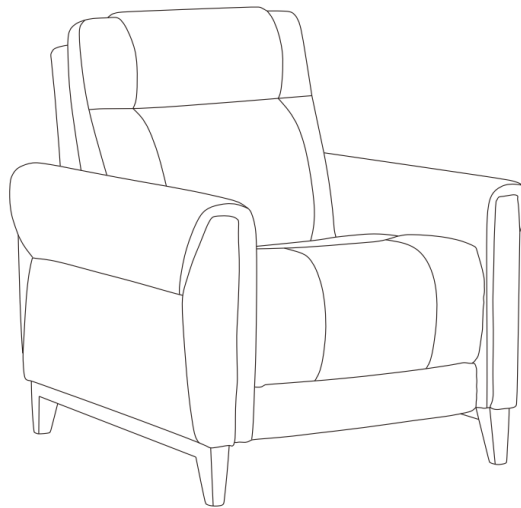




Parker Living
A Division of Parker House

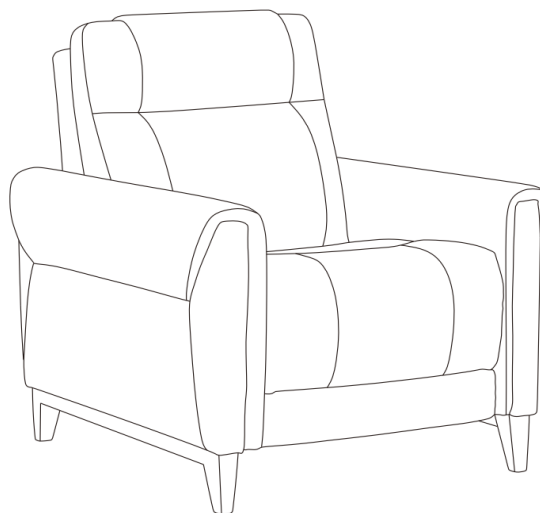
Assembly Instructions Conrad



BEFORE ASSEMBLY







Thank you for purchasing this quality product. This product has been designed for easy assembly and constructed for durability. Please take the time to read and follow the assembly instructions carefully.

Power Recliner with Power Headrest



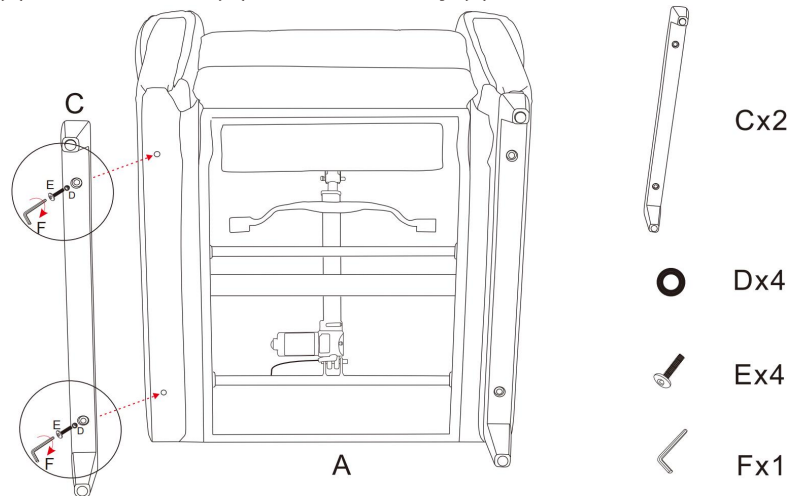
Part List

When unpacking, please be careful not to discard any parts with the packaging. Before continuing, please make sure you have the following parts:

No	Description	Sketch	Qty
A	Seat		1 PC
B	Backrest		1 PC
C	Wood Leg		2 PC
D	Flat Washer		4 PC
E	Flat-tip Screw		4 PC
F	Hex Key		1 PC

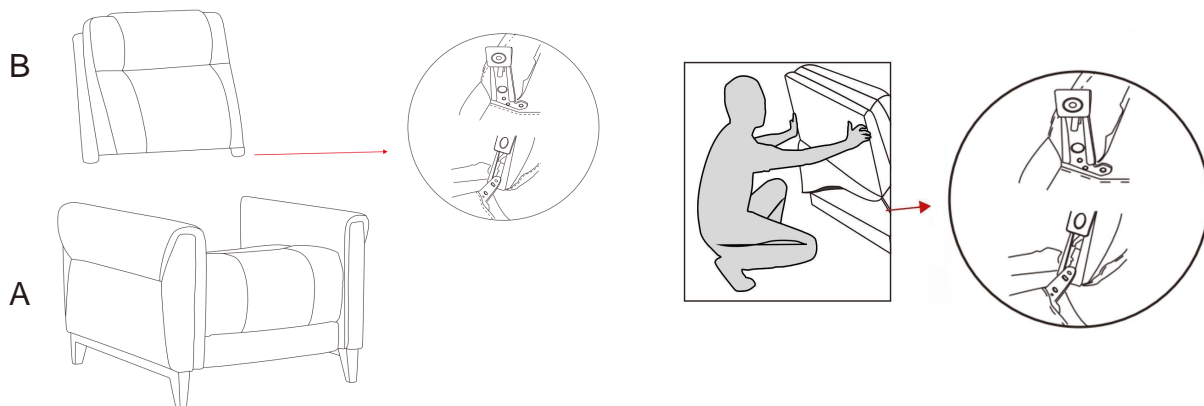
Step 1

After removing the product from the carton, secure the wood leg (C) to the base of the seat (A) by tightening the screws (E) and washers (D) with a hex key (F).



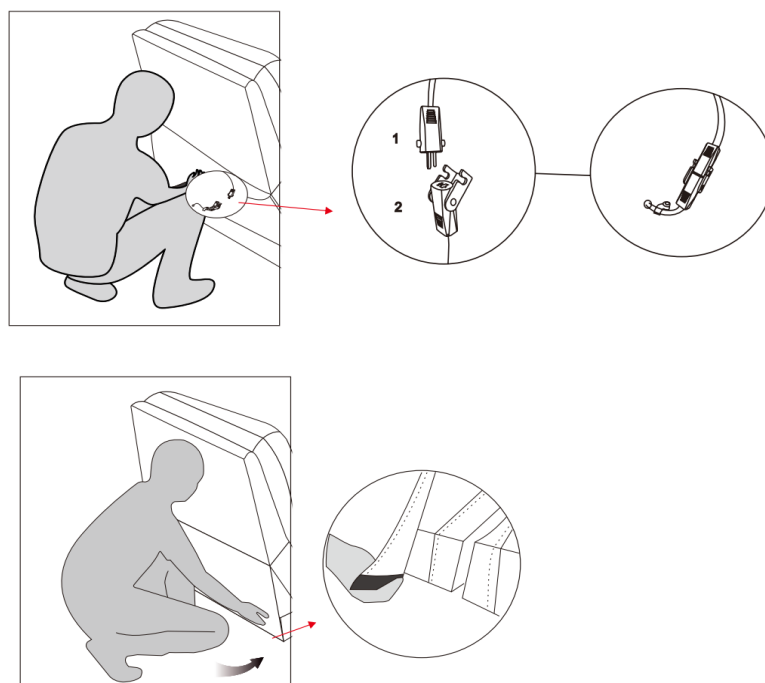
Step 2

Install the Backrest (B) into the Seat (A) by positioning the female metal receiver brackets over the male metal posts. Ensure that female metal receiver brackets on each side of the backrest are lined up with the seat metal posts. Push down the female brackets over male posts simultaneously until each side is locked into the male metal posts.



Step 3

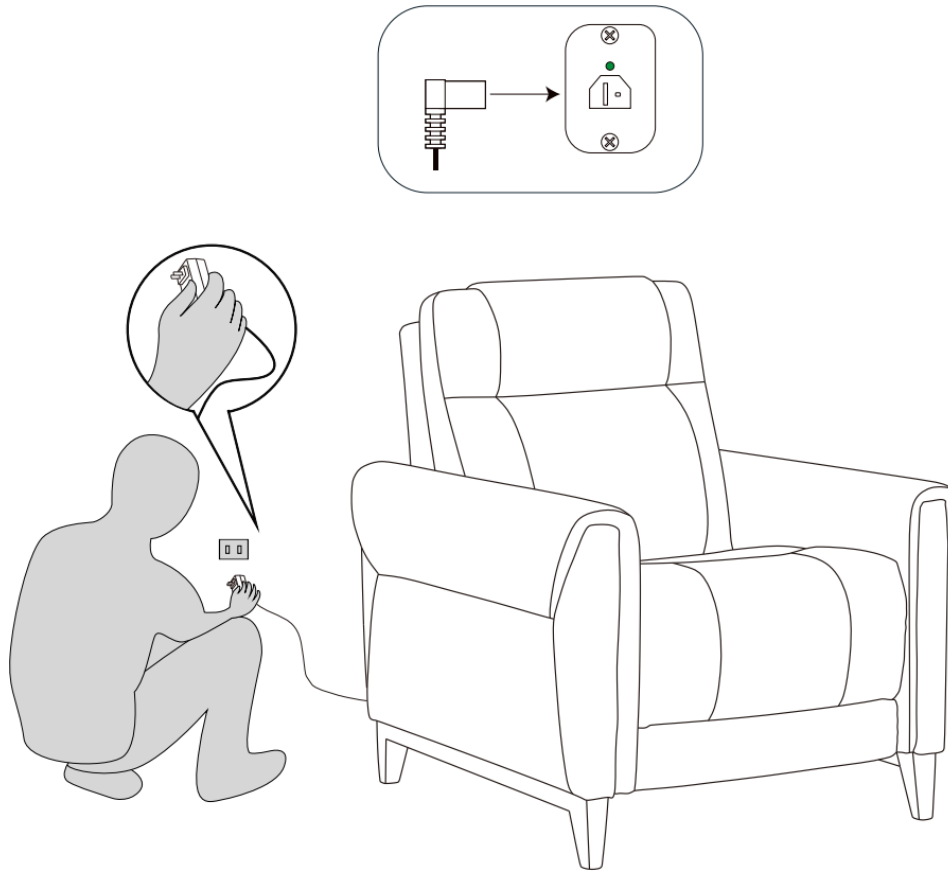
1. Connect the wire as shown in the diagram.
2. Attach the flap to the seat frame by pulling the flap down, and pressing the bottom hem under the seat base, connecting the velcro.



Step 4

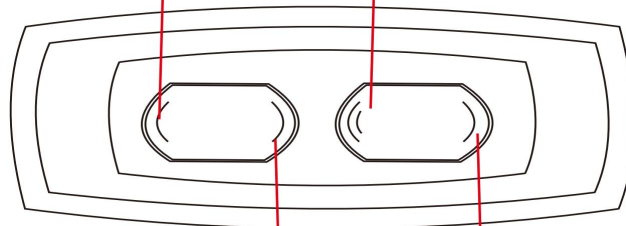
Please firmly plug in the power cord and operate the controller to activate the power functions.

Note: After the connection are successfully made, the green LED will be lit up.



Headrest close

All Return to Home Position



Headrest recline

Legrest and Backrest recline

Seat contains 2.2 density foam, backrest contains 100% Fiber.