



Parker Living
A Division of Parker House

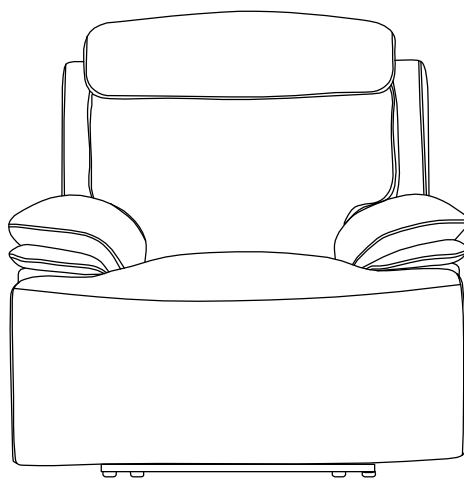
Assembly Instructions

Alpine Recliner

BEFORE ASSEMBLY




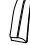


Thank you for purchasing this quality product. This product has been designed for easy assembly and constructed for durability. **Please take the time to read and follow the assembly instructions carefully.**

Power Zero Gravity Recliner P2



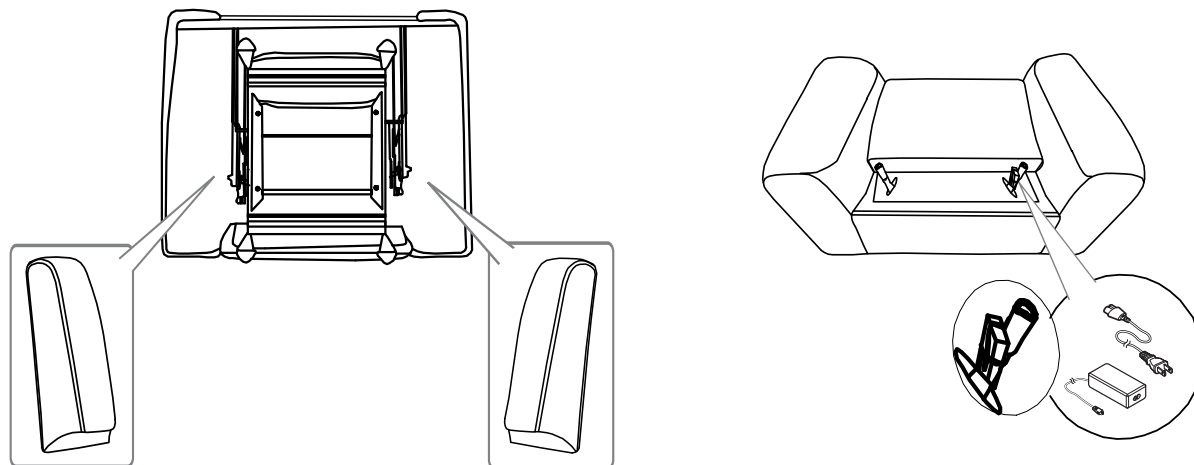
Part List

When unpacking, please be careful not to discard any parts with the packaging. Before continuing, please make sure you have the following parts:

No	Description	Sketch	Qty
A	Body		1 PC
B	Back cushion		1 PC
C	LAF Wing		1 PC
D	RAF Wing		1 PC
E	Plug Transformer		1 PC
F	Power Cord		1 PC

Step 1

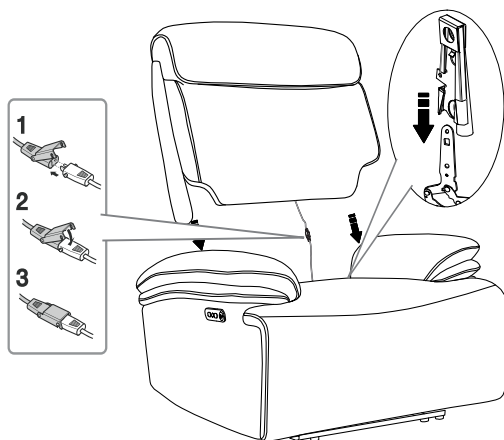
1. Take out the LAF wing (C) and RAF wing (D) from the bottom of the armrest;
2. Take out the power cord and transformer from the plastic bag backside of the seat.



Step 2

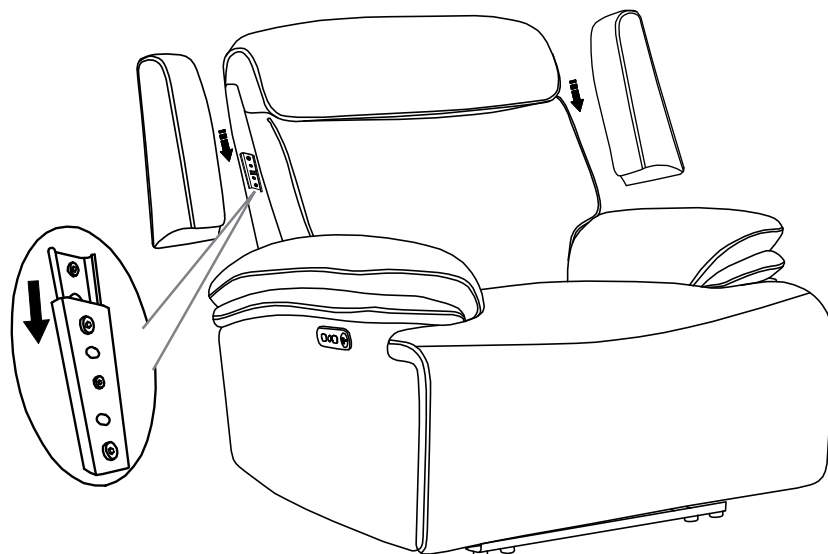
1. Install the back cushion (B) into the body (A) by positioning the female metal receiver brackets over the male metal posts. Ensure that the female metal receiver brackets on each side line up with the seat metal posts. Push the backrest down until each side is locked into place and an audible "click" is heard;

2. Connect the wires as shown.

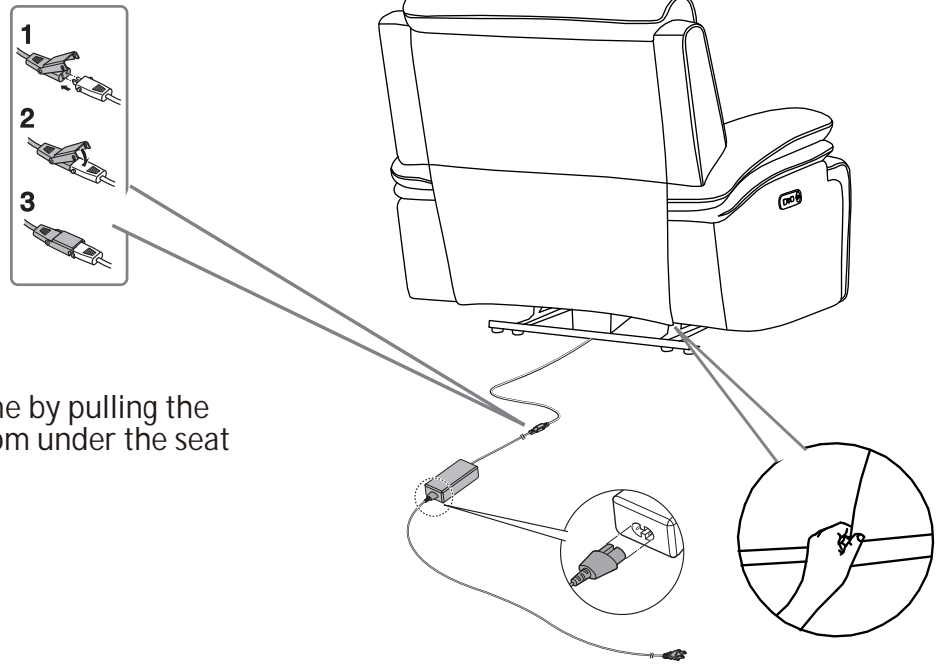


Step 3

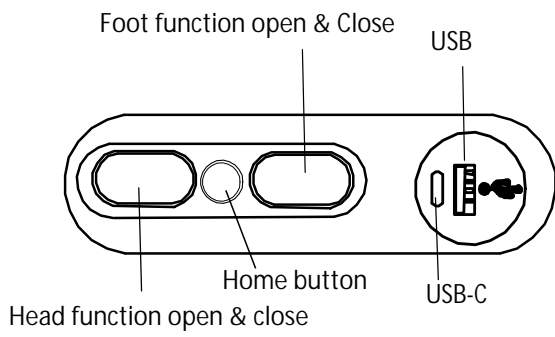
1. Install the LAF Wing (C) and RAF Wing (D) by sliding wings in a downward motion along the side of the seat back to connect the brackets.



2. Connect the wires.



3. Attach the flap to the seat frame by pulling the flap down, and pressing the bottom under the seat base, connecting the velcro.



Function Display

