



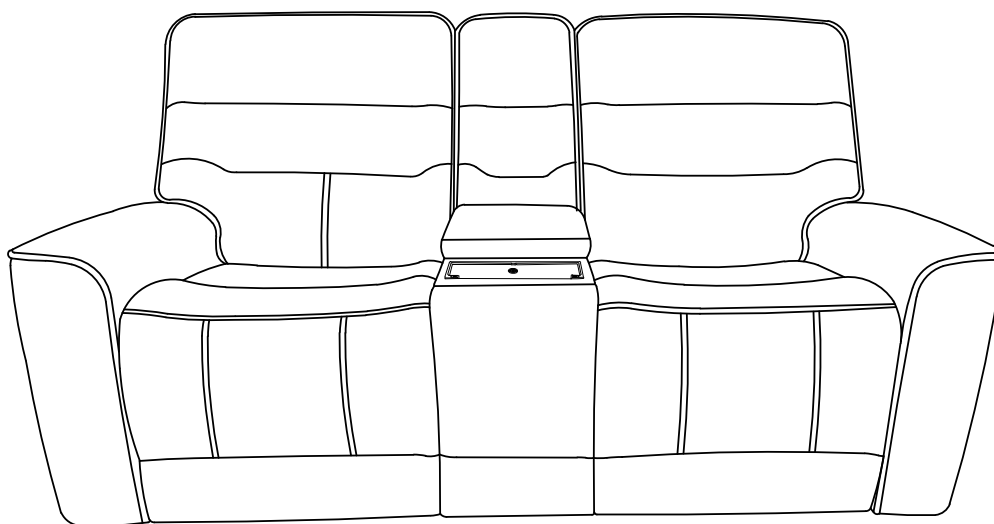
Parker Living
A Division of Parker House

Assembly Instructions Lawson Console Loveseat

BEFORE ASSEMBLY

Thank you for purchasing this quality product. This product has been designed for easy assembly and constructed for durability. Please take the time to read and follow the assembly instructions carefully.

Power Zero Gravity Tilt Console Loveseat P2



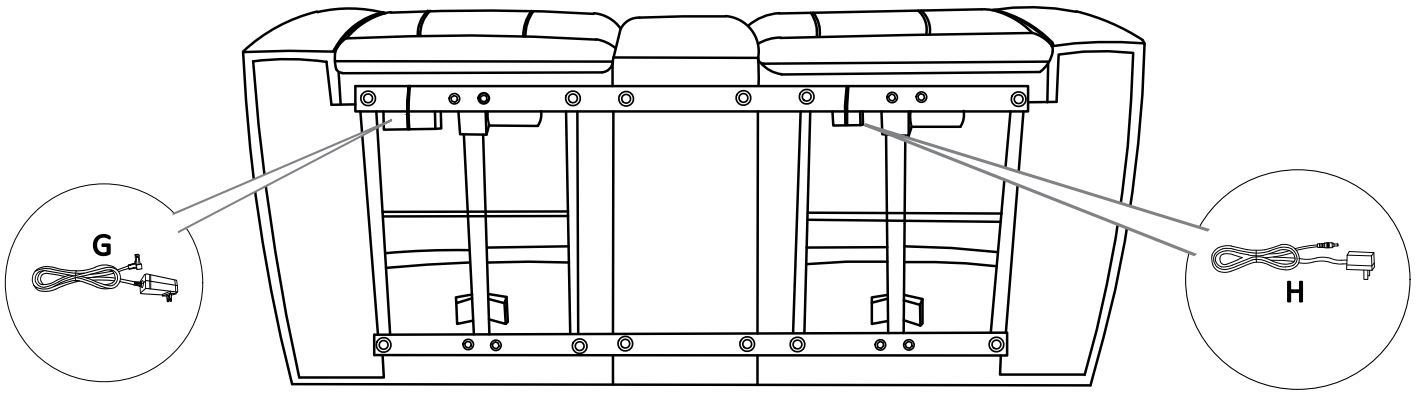
Part List

When unpacking, please be careful not to discard any parts with the packaging. Before continuing, please make sure you have the following parts:

No	Description	Sketch	Qty
A	Body		1 PC
B	LAF Back Cushion		1 PC
C	Middle Console Back Cushion		1 PC
D	RAF Back Cushion		1 PC
E	Screw Base		2 PCS
F	Screws		2 PCS
G	plug transformer		1 PC
H	plug transformer 2		1 PC

Step 1

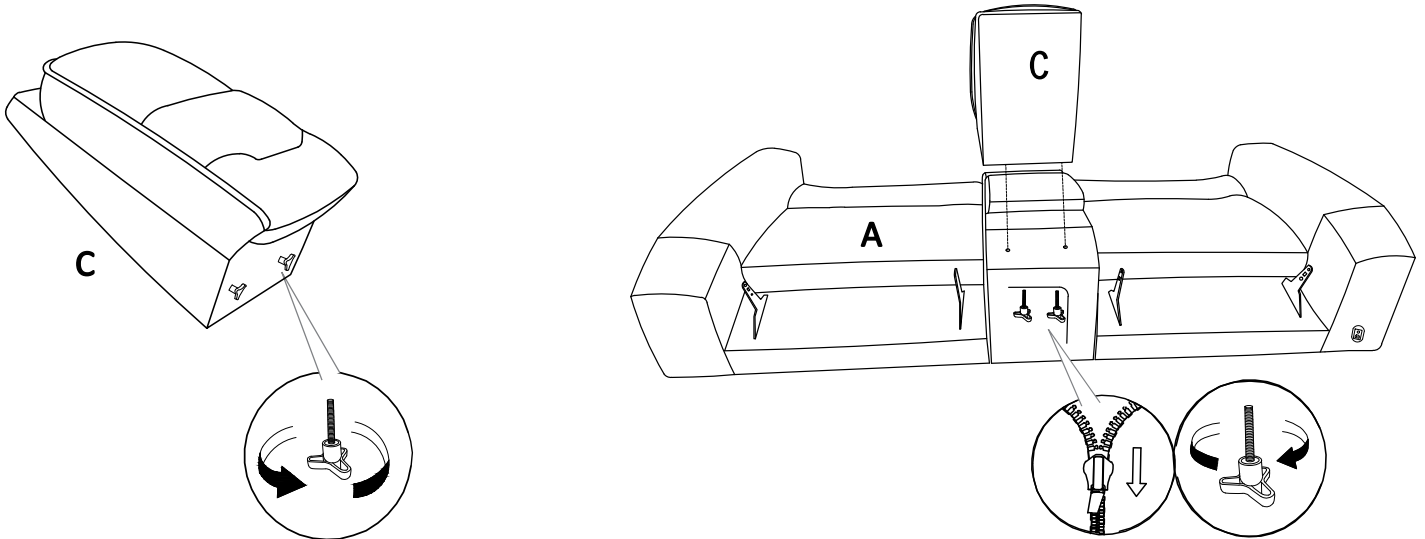
1. Remove Plug Transformer (G) and Plug Transformer (H) from the bottom of the Body (A).



Step 2

1. Unscrew the knob screws from the console backrest (C).

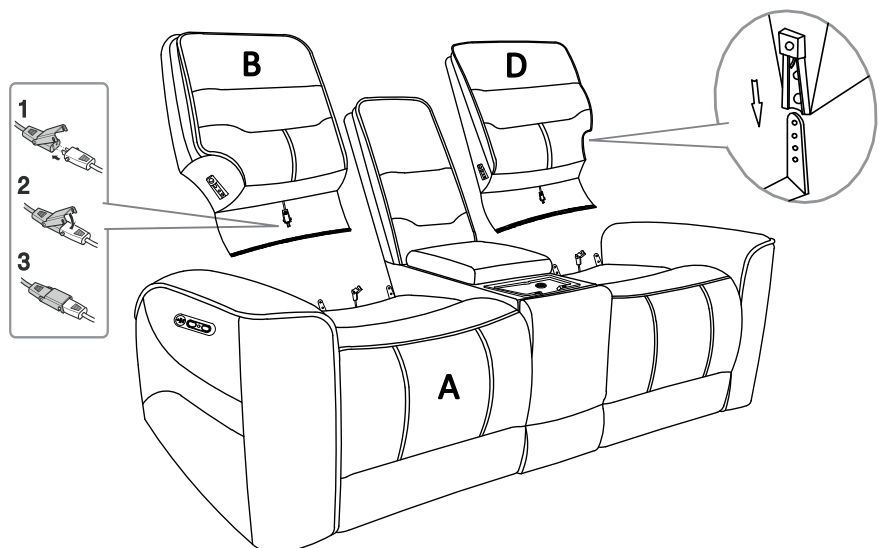
2. Install the back cushion by unzipping the back of the body and inserting 2 screws into the pre-drilled holes on the body. Align the console back over the inserted screws and screw up from the bottom to attach.



Step 3

1. Install the Backrest (B/D) into the Seat (A) by positioning the female metal receiver brackets over the male metal posts. Ensure that female metal receiver brackets on each side of the backrest are line up with the seat metal posts. Push down the female brackets over male posts simultaneously until each side is locked into place and an audible "click" is heard.

2. Connect the headrest (B,D) wire Power cord located at the bottom of the backrest to the corresponding wire located at the back of the body. Make sure the locking latch is firmly closed to avoid loose connection during use.

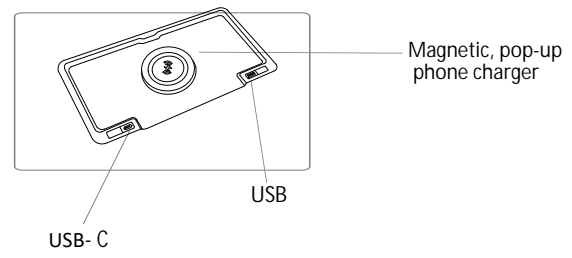
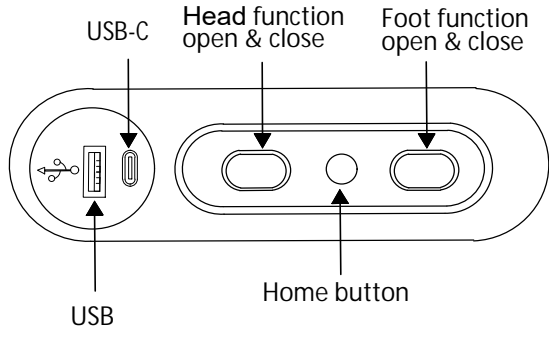
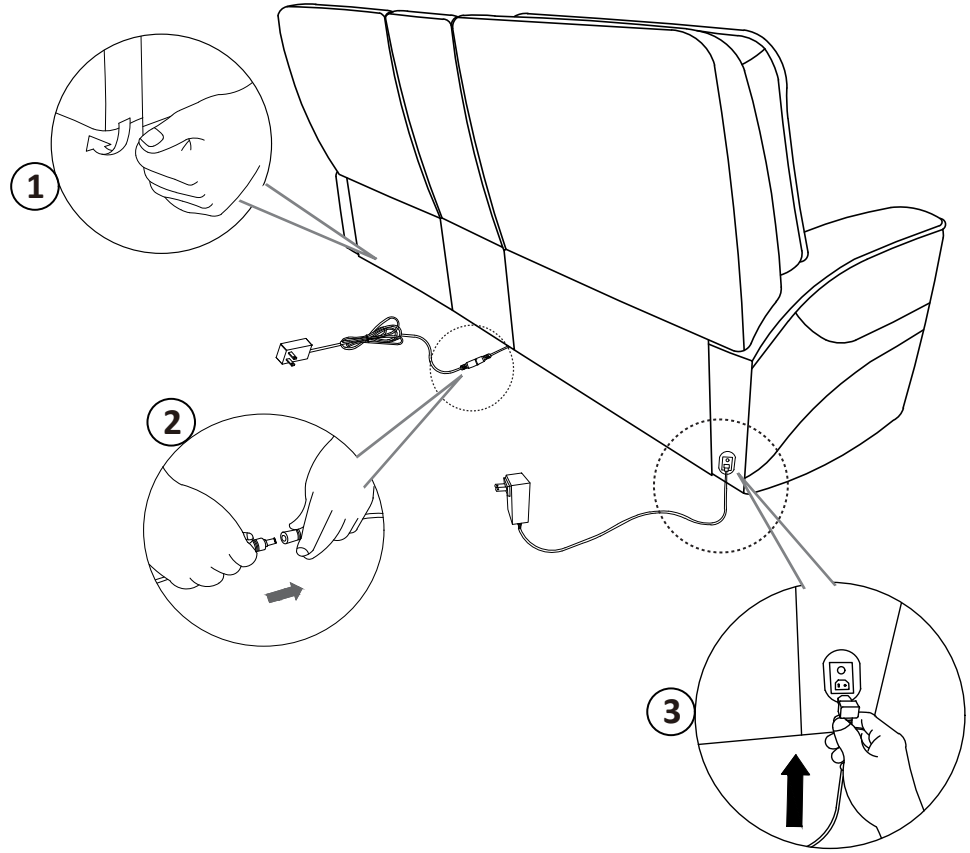


Step 4

1. Attach the flap to the seat frame by pulling the flap down, and pressing the bottom under the seat base, connecting the velcro.

2. Plug one end of the wall plug transformer cord (H) firmly into the wireless charger's DC power adapter on the back of the console and plug the other end into a wall outlet/power strip.

3. Connect firmly one end of the wall plug transformer cord (G) into the DC adapter located in the lower back corner of Recliner and plug the other end into a power outlet/wall socket and enjoy.



Function Display

