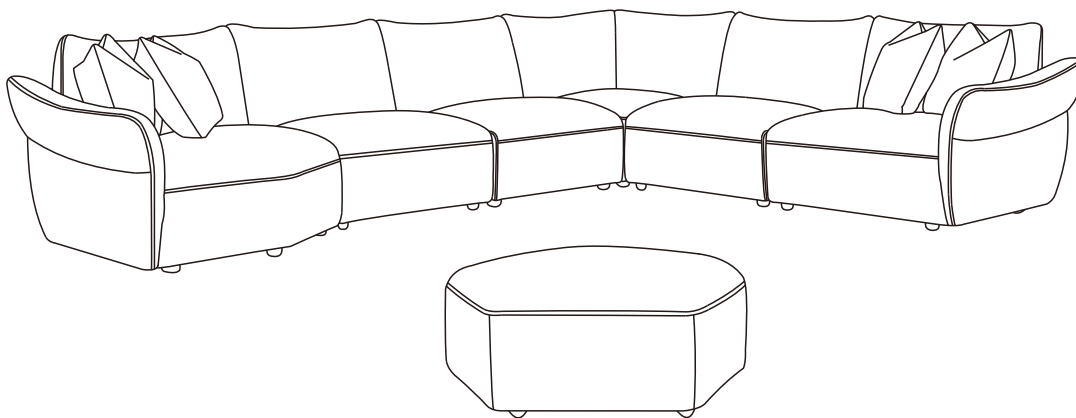




Parker Living
A Division of Parker House

Assembly Instructions Playful Modular Sectional




BEFORE ASSEMBLY

Thank you for purchasing this quality product. This product has been designed for easy assembly and constructed for durability. Please take the time to read and follow the assembly instructions carefully.

PART LIST

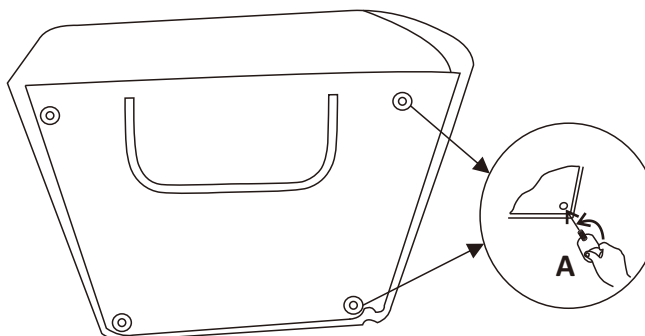
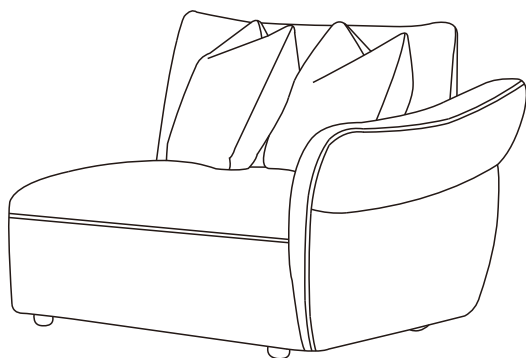
When unpacking, please be careful not to discard any parts with the packaging. Before continuing, please make sure you have the following parts:

Item# SPLA#911R-CNCB
Description# Right Arm Facing Chair

HARDWARE LIST			
No	Description	Sketch	Qty
A	Plastic leg		4 PCS

Step 1

Please lay the item on its back on a soft, clean floor. Open the flap in the lining and remove the red package containing the four plastic legs. Install as shown below.




 A X4

PART LIST

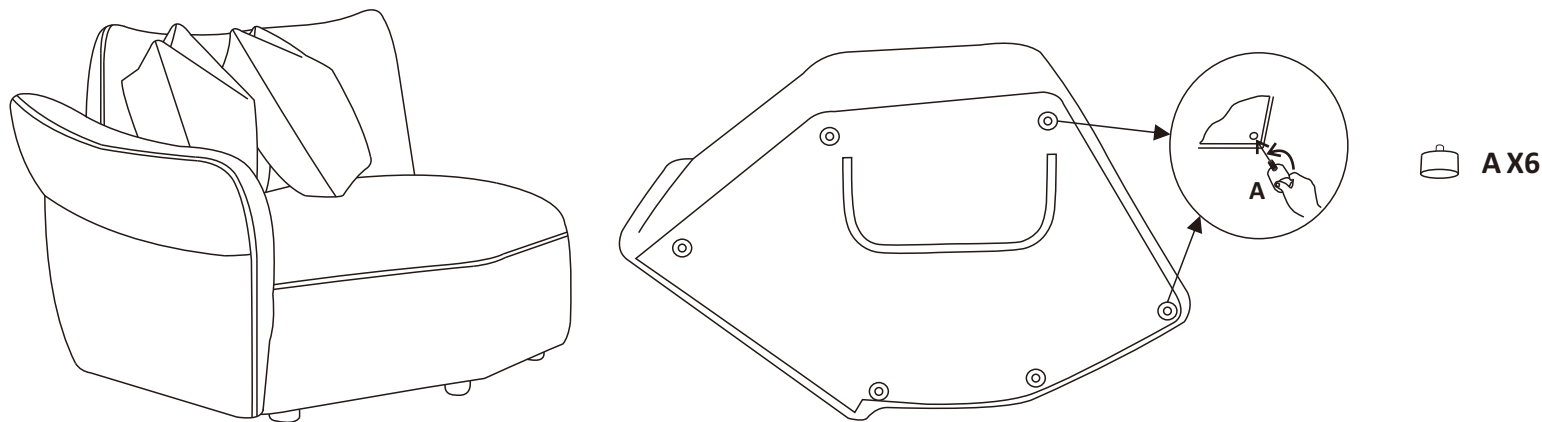
When unpacking, please be careful not to discard any parts with the packaging. Before continuing, please make sure you have the following parts:

Item# SPLA#915L-CNCB
Description# Left Arm Facing Bumper Chaise

HARDWARE LIST			
No	Description	Sketch	Qty
A	Plastic leg		6 PCS


Step 2

Please lay the item on its back on a soft, clean floor. Open the flap in the lining and remove the red package containing the six plastic legs. Install as shown below.

**PART LIST**

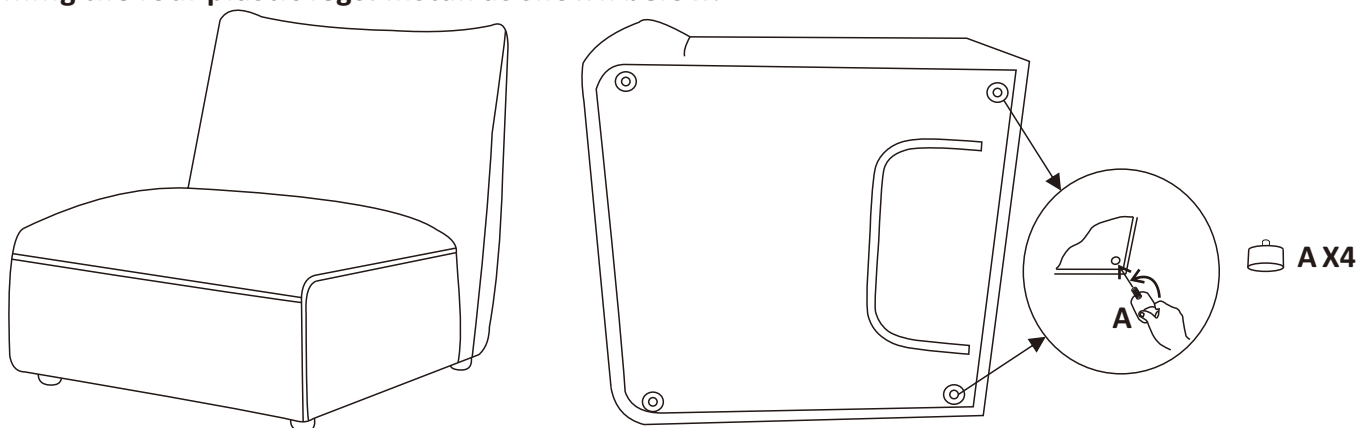
When unpacking, please be careful not to discard any parts with the packaging. Before continuing, please make sure you have the following parts:

Item# SPLA#910-CNCB
Description# Armless Chair

HARDWARE LIST			
No	Description	Sketch	Qty
A	Plastic leg		4 PCS


Step 3

Please lay the item on its back on a soft, clean floor. Open the flap in the lining and remove the red package containing the four plastic legs. Install as shown below.

**PART LIST**

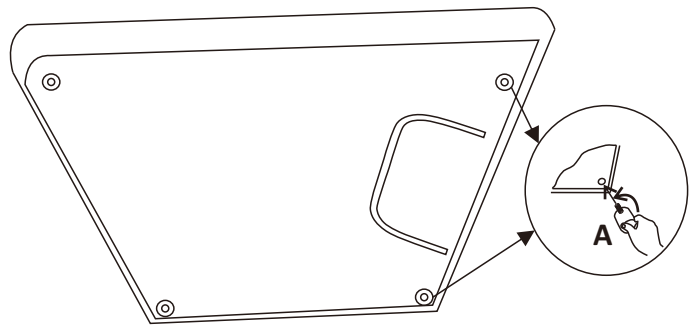
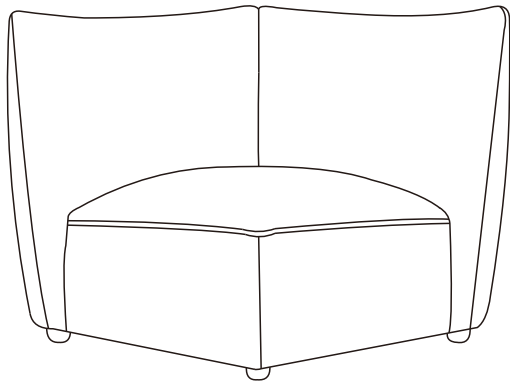
When unpacking, please be careful not to discard any parts with the packaging. Before continuing, please make sure you have the following parts:

Item# SPLA#950-CNCB
Description# Wedge

HARDWARE LIST			
No	Description	Sketch	Qty
A	Plastic leg		4 PCS

Step 4

Please lay the item on its back on a soft, clean floor. Open the flap in the lining and remove the red package containing the four plastic legs. Install as shown below.





 AX4

PART LIST

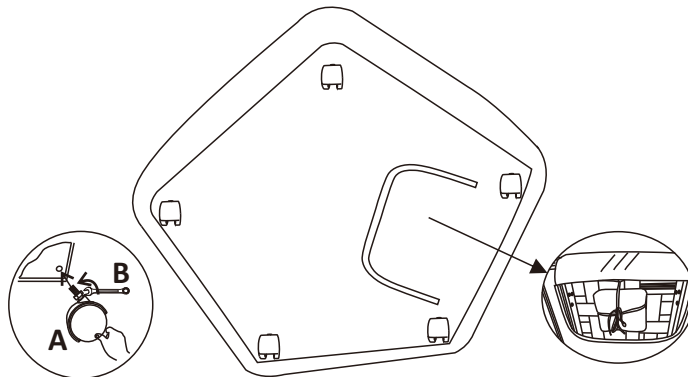
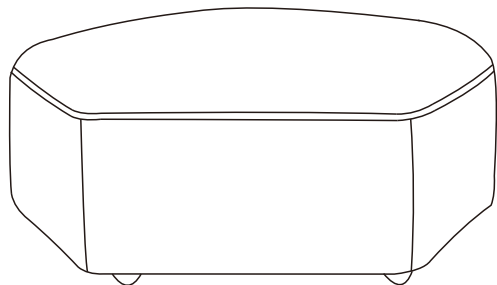
When unpacking, please be careful not to discard any parts with the packaging. Before continuing, please make sure you have the following parts:

Item# SPLA#900-CNCB
Description# Ottoman with casters

HARDWARE LIST			
No	Description	Sketch	Qty
A	Caster		5 PCS
B	Wrench		1 PCS

Ottoman

Please lay the item on its back on a soft, clean floor. Open the flap in the lining and remove the red package containing the five casters and one wrench. Install as shown below.

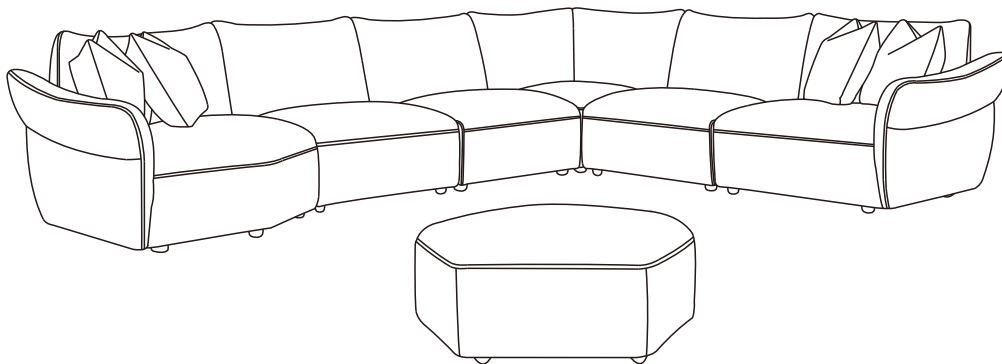


 AX5
 BX1

Step 5

Your items are now ready to be placed together in any configuration you choose.

Note: Each LAF Chaise, RAF Chair includes two self pillows.



Seat contains 2.2 Density Foam and 10% Feather, Back contains 100% Fiber, Toss Pillow Contains 70% Feather and 30% Fiber.