

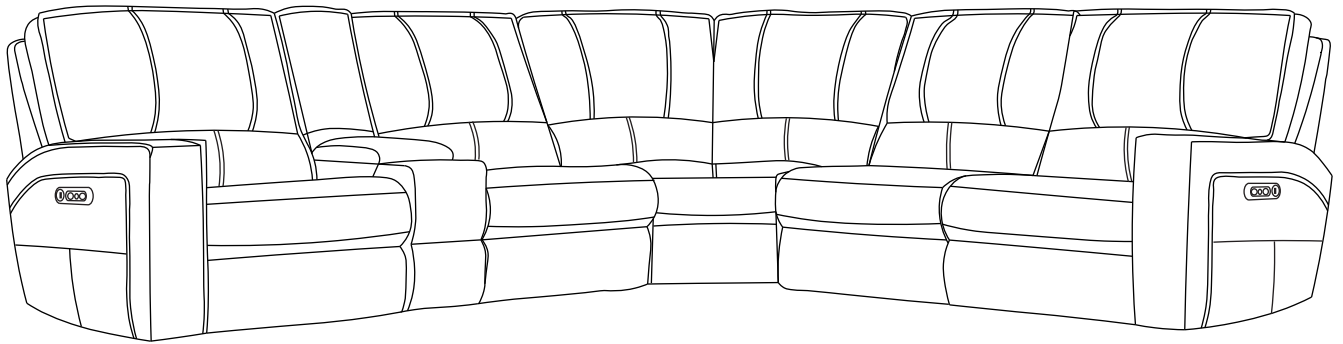


Parker Living®  
A Division of Parker House

# SWIFT COLLECTION

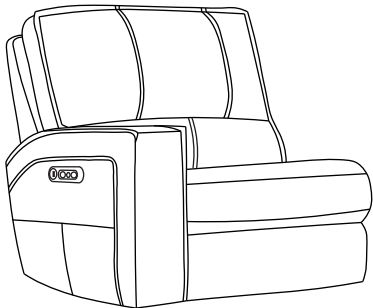
MSWI-PACKA  
Power Reclining Sectional

## ASSEMBLY INSTRUCTIONS NOTICE DE MONTAGE



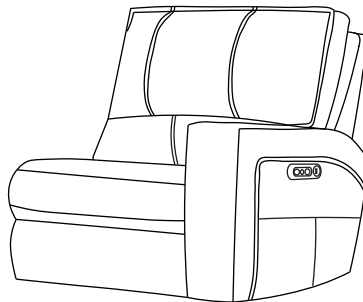
MSWI#811LPH

x1



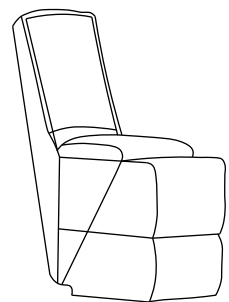
MSWI#811RPH

x1



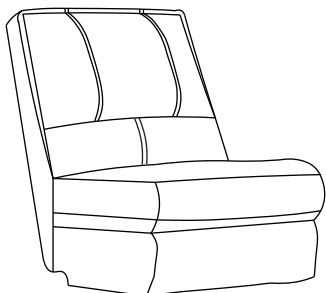
MSWI#860

x1



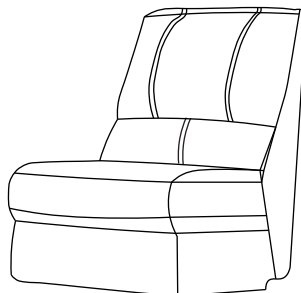
MSWI#810P

x1



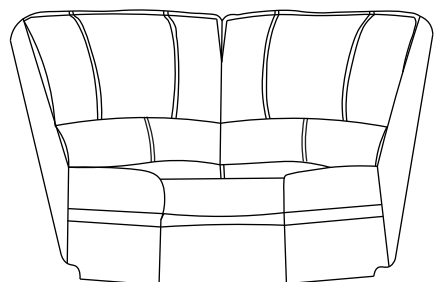
MSWI#840

x1



MSWI#850

x1

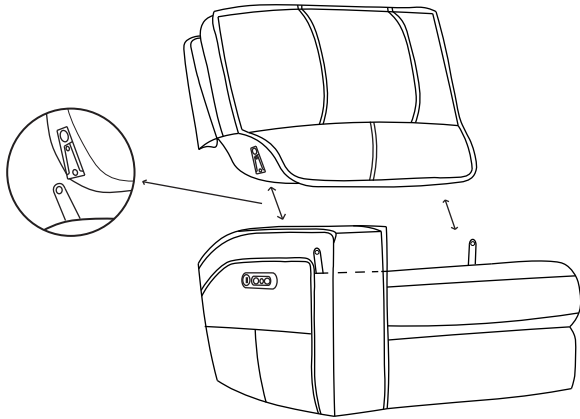


# SWIFT COLLECTION MSWI-PACKA

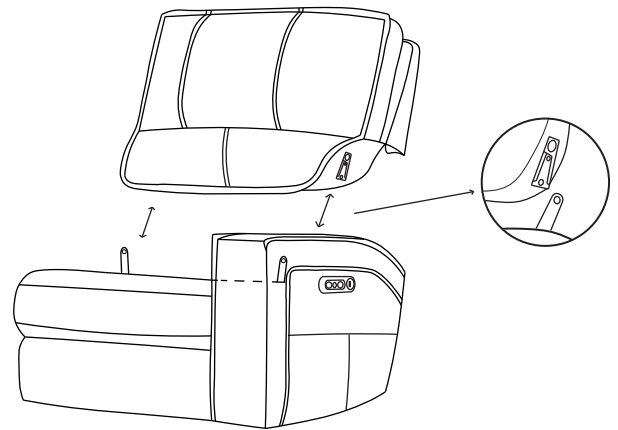
## Step 1

Combine all back pieces to the base.

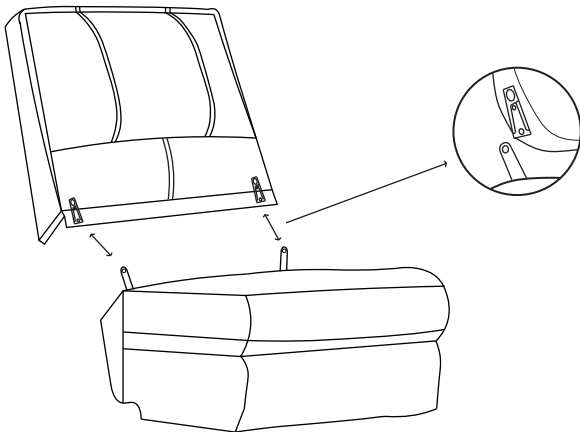
MSWI#811LPH



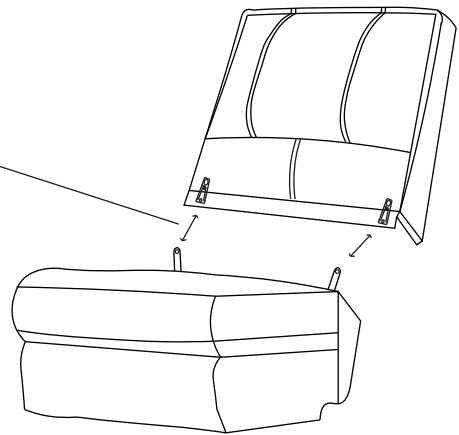
MSWI#811RPH



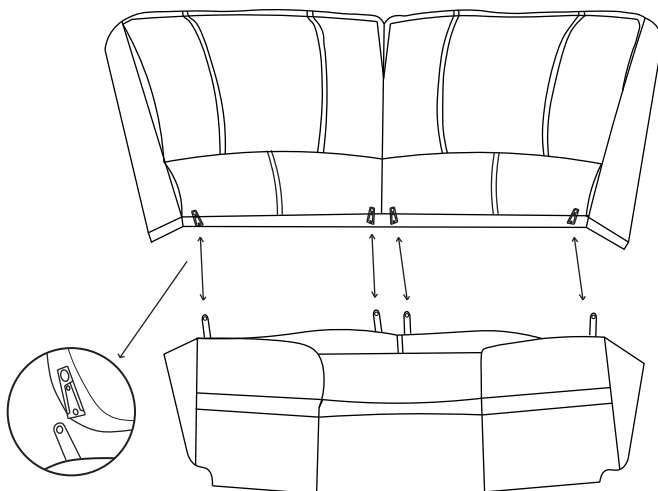
MSWI#810P



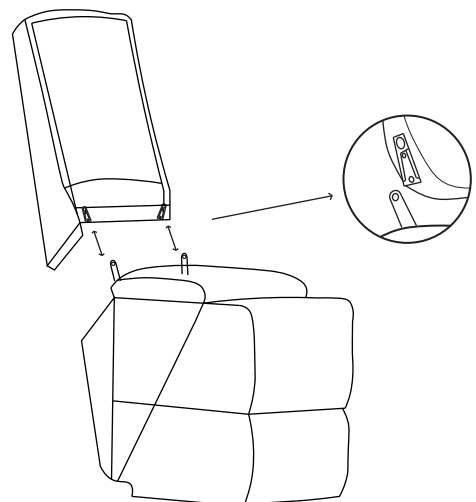
MSWI#840



MSWI#850

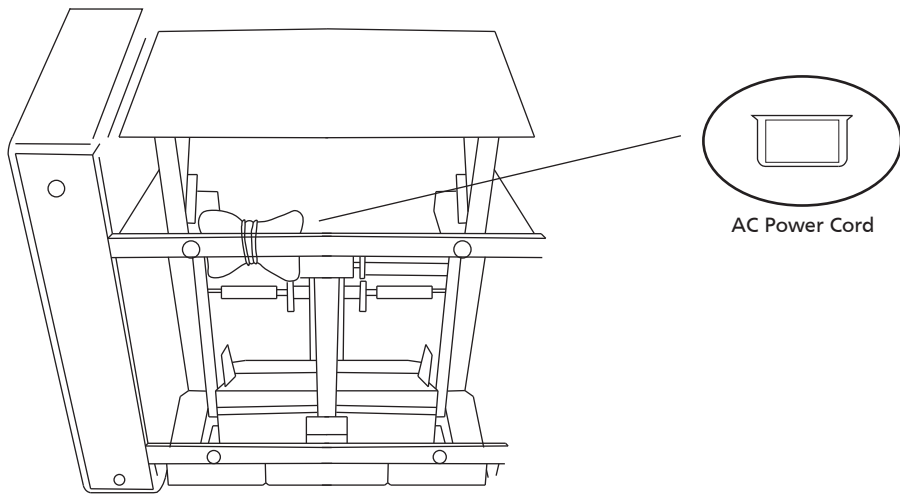


MSWI#860



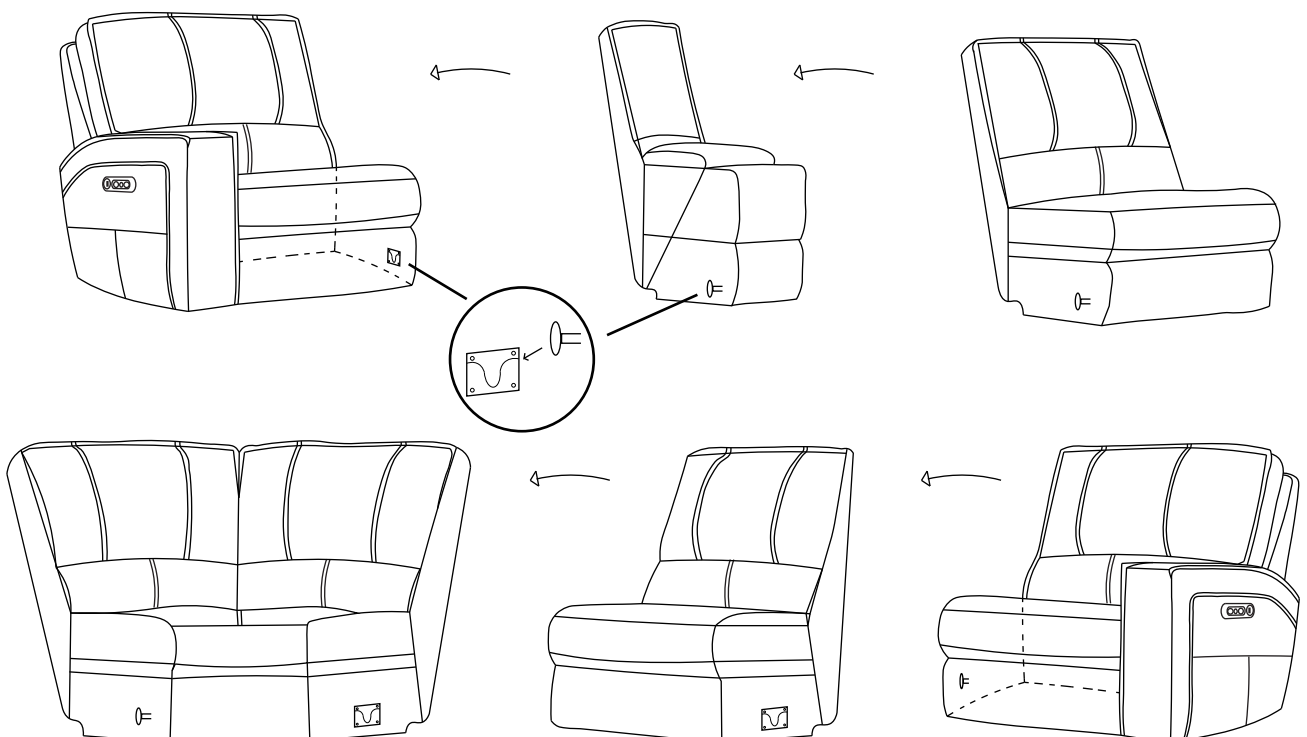
# SWIFT COLLECTION MSWI-PACKA

## Step 3



## Step 4

Attach each piece of the sectional, from left to right

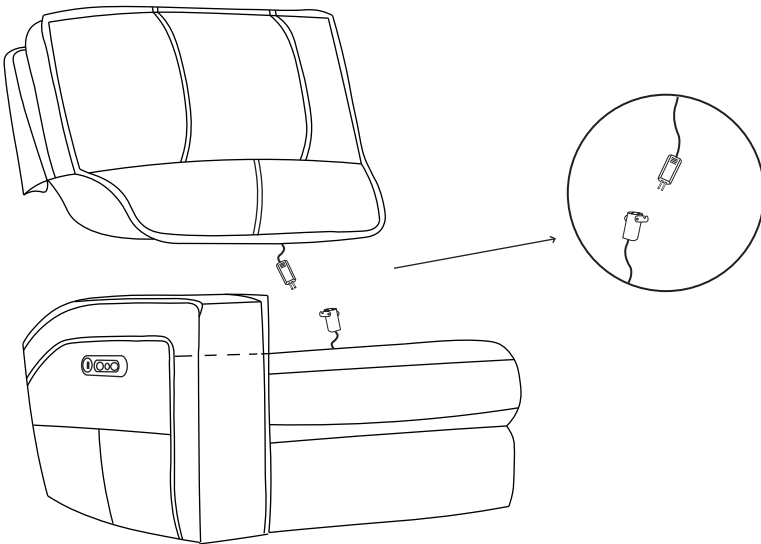


# SWIFT COLLECTION MSWI-PACKA

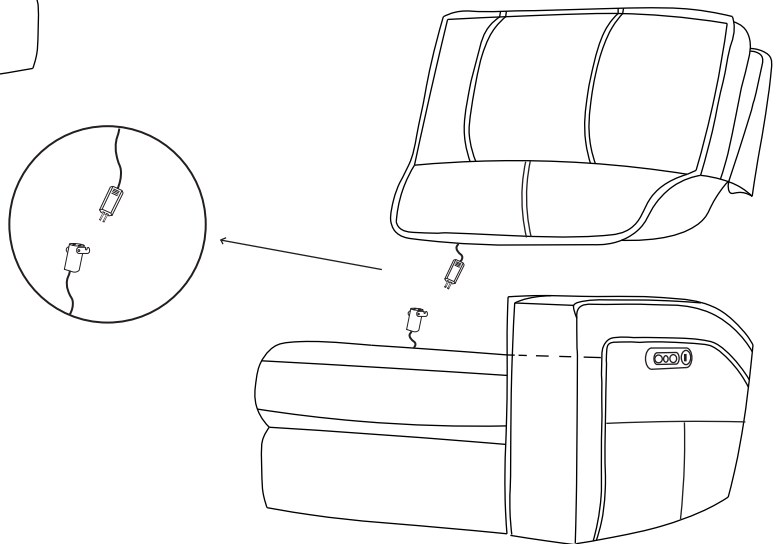
## Step 2

Headrest connection

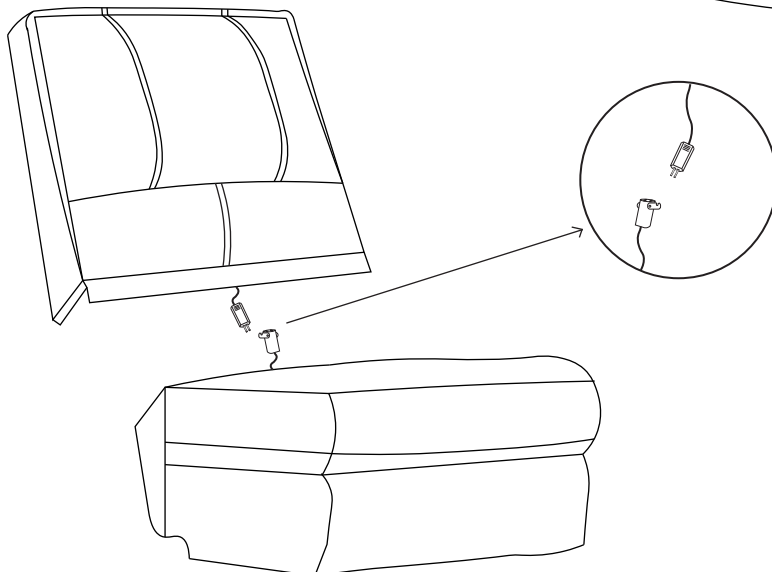
MSWI#811LPH



MSWI#811RPH



MSWI#810P



# SWIFT COLLECTION MSWI-PACKA

## Step 5

