

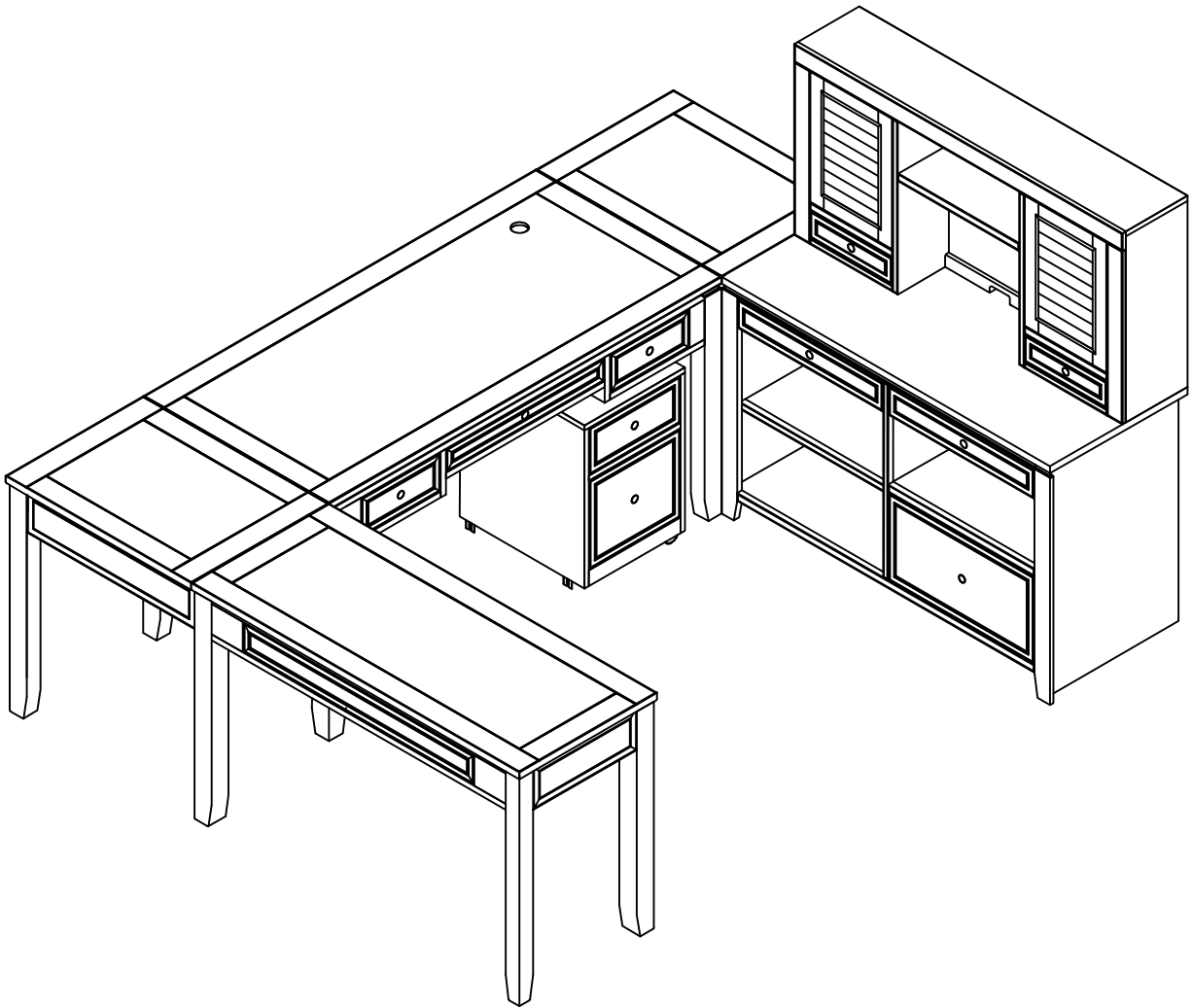


Parker House
FURNITURE

Assembly Instruction

Item No: BOC-375

Description : ROLLING FILE






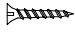

Parker House
FURNITURE

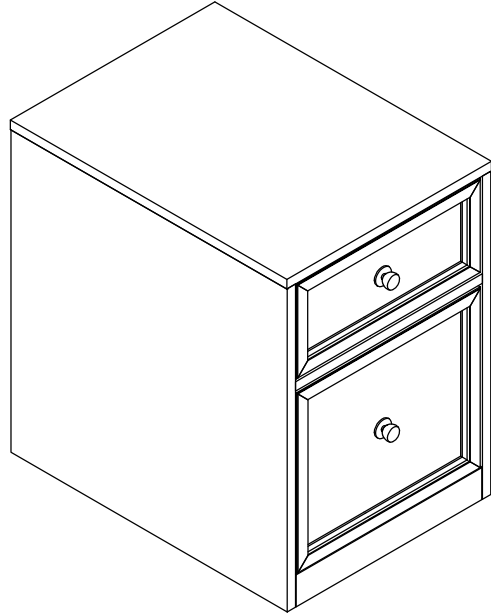
Assembly Instruction

Item No: BOC-375

Description : ROLLING FILE

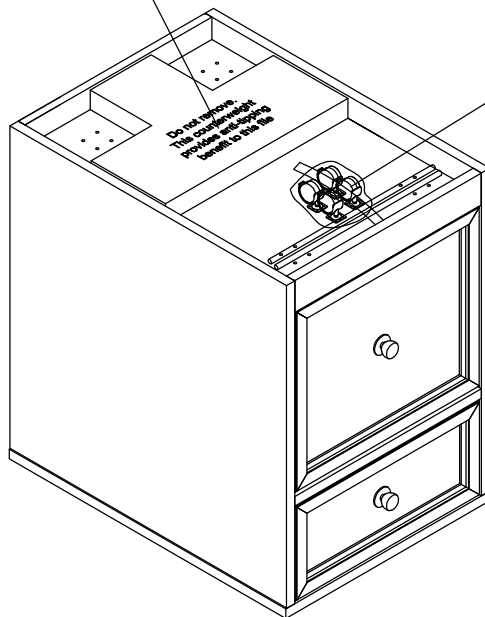
HARDWARE LIST

No	Description	Sketch	Q'TY
A	Caster		4PCS
B	Screw Ø4x5/8"		17 PCS
C	File rods 296mm x Ø7		2PCS



STEP 1

Do not remove.
This counterweight
provides anti-tipping
benefit to this file



HARDWARE
File rods pack is here

The above diagram shows a counter weight placed under the bottom of the file cabinet. Do not remove this weight as it will greatly reduce the chance of tip over.



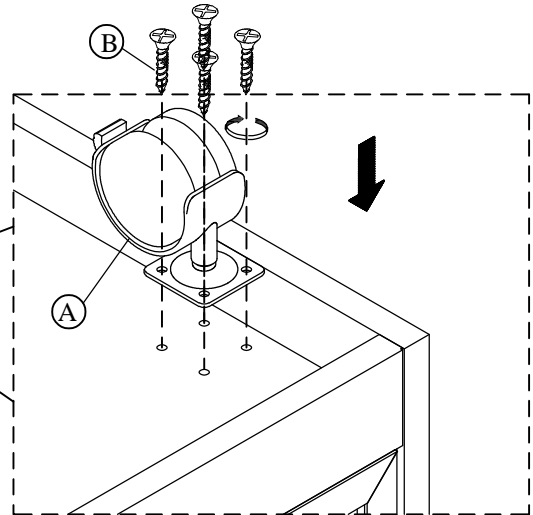
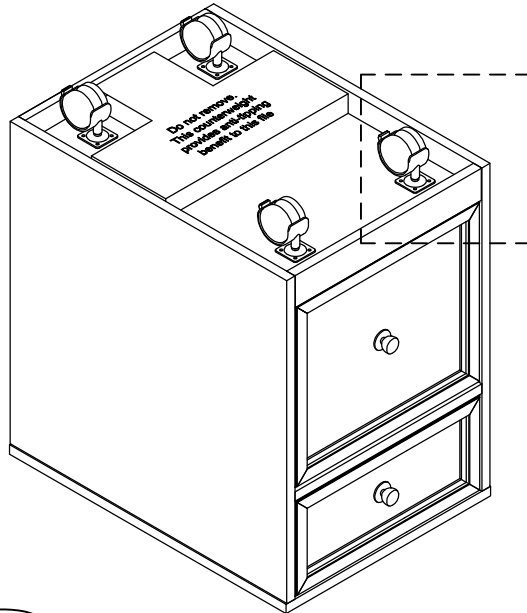
Parker House
FURNITURE

Assembly Instruction

Item No: BOC-375

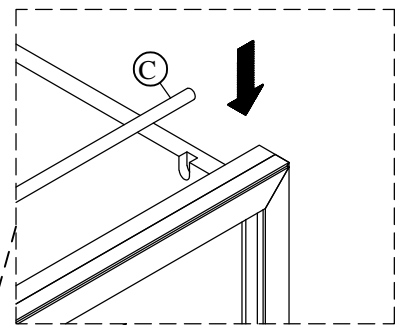
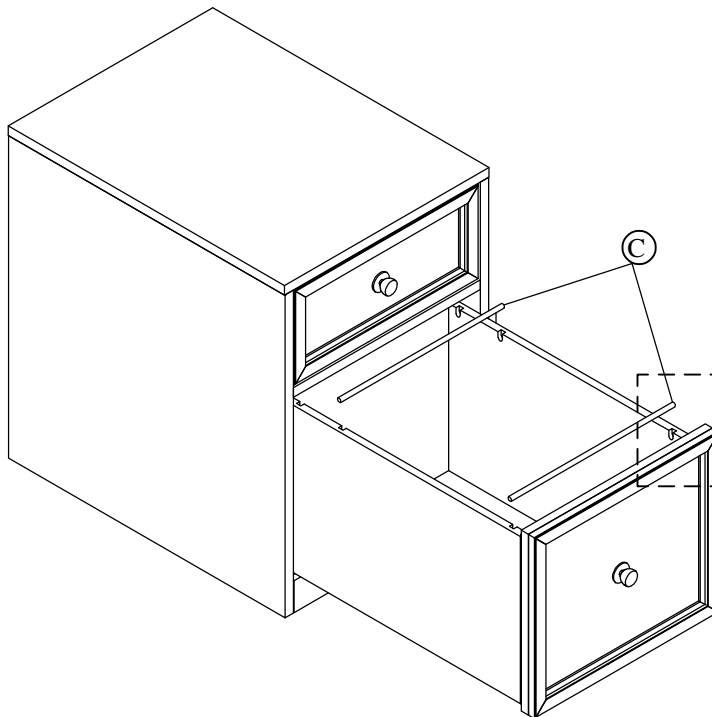
Description : ROLLING FILE

STEP 2



Use Screw(B) to fix the casters through the predrilled holes to the bottom of the Lateral File.

STEP 3



WARNING: To prevent tip over, never open both drawers at the same time.