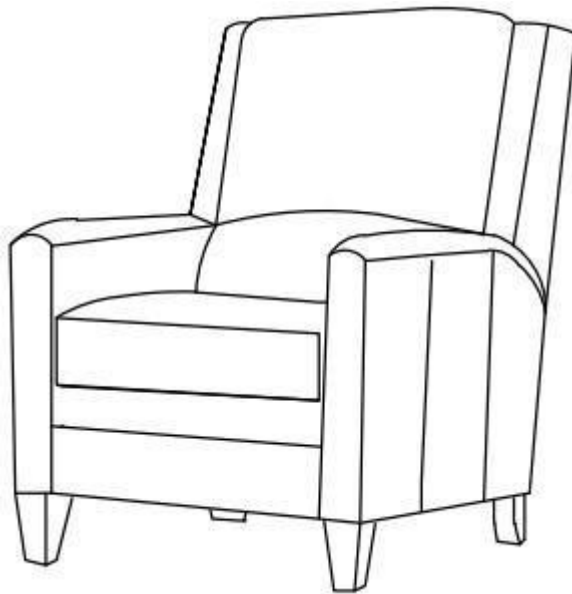


**CONNOR ASSEMBLY INSTRUCTIONS**

**NOTICE DE MONTAGE**

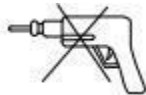
**MCNR#812PH-P25-LTLX/MCNR#812PH-P25-ESPR**

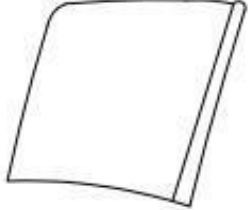
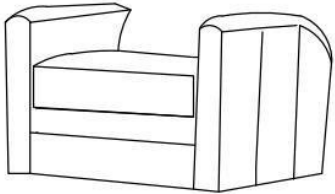


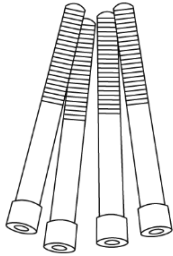
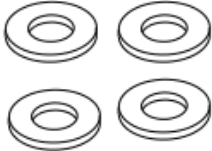


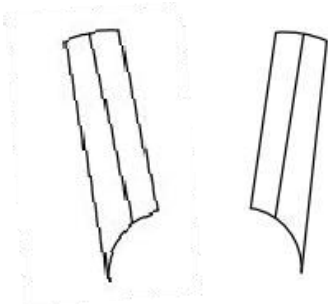
**Please keep these instructions and have the product model #and part # available when requesting a service.**



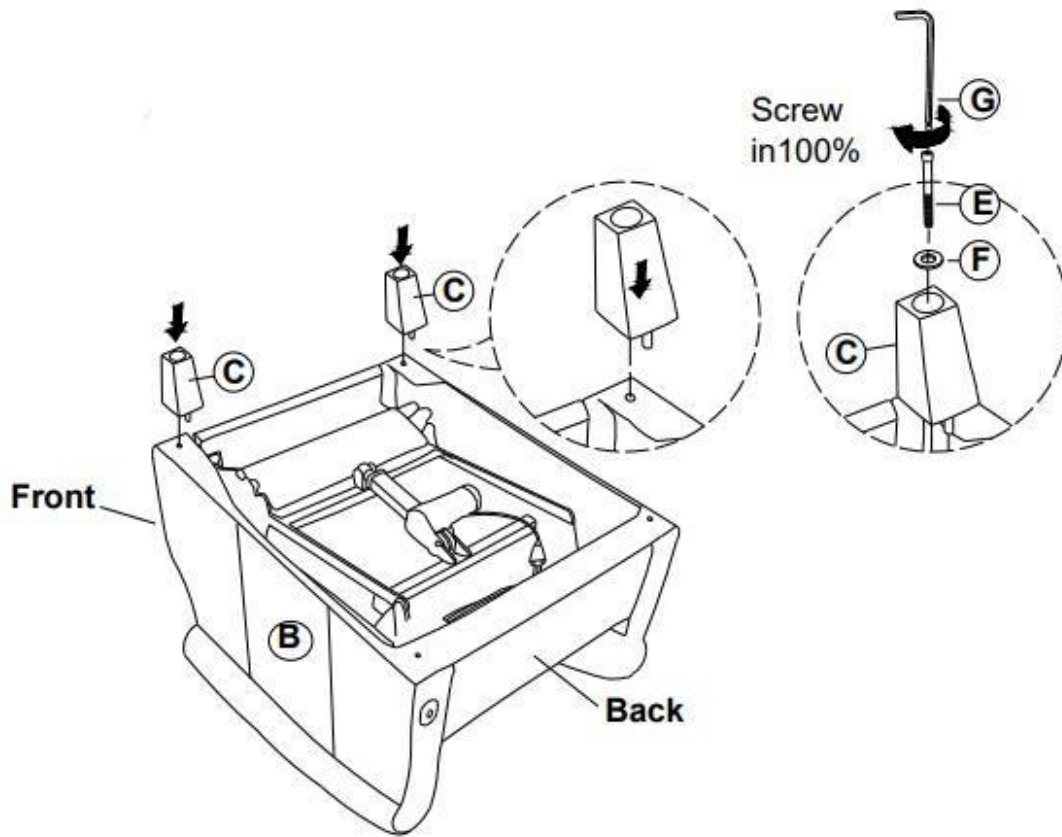
**IMPORTANT NOTE**

Do not use a power tool to assemble this product as it could damage the thread of the hardware and affect the solidity/durability of the product.

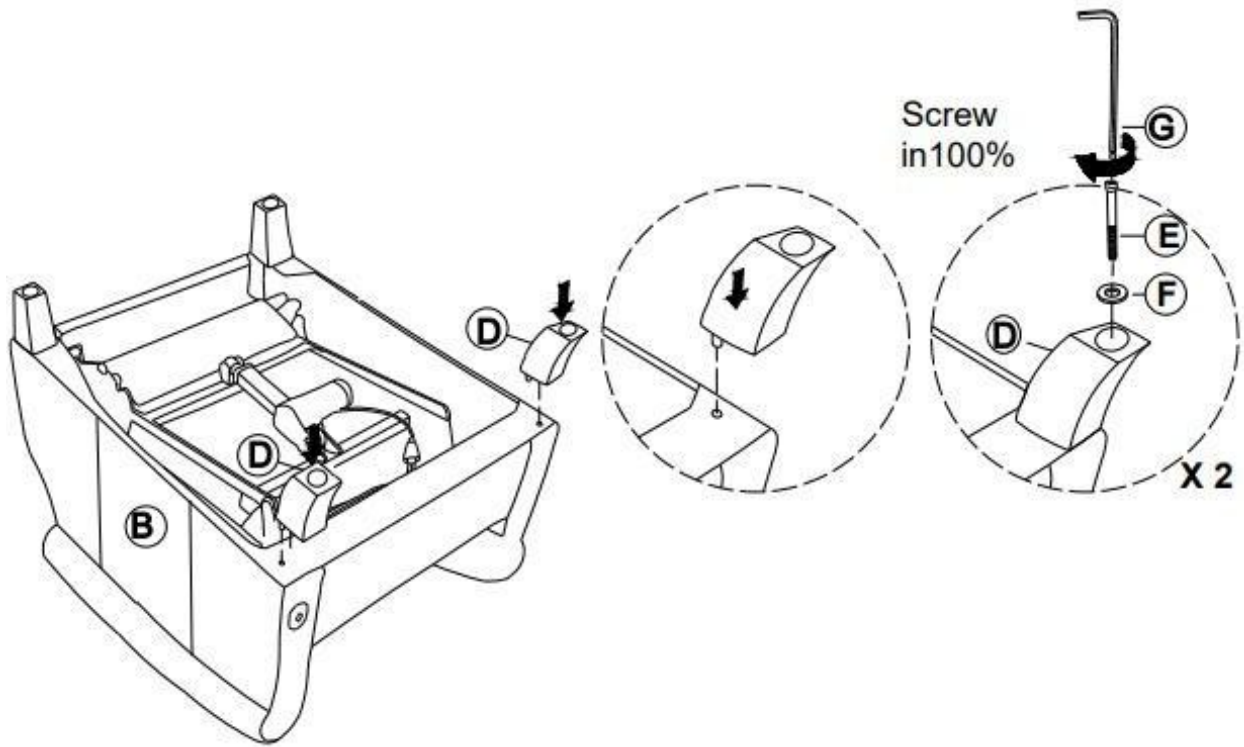


<p>A x 1</p> 	<p>B x 1</p> 
<p>C x 2</p> 	<p>D x 2</p> 
<p>E x 4</p> 	<p>F x 4</p> 
<p>G x 1</p> 	<p>H x 4</p> 
<p>I x 2</p> 	

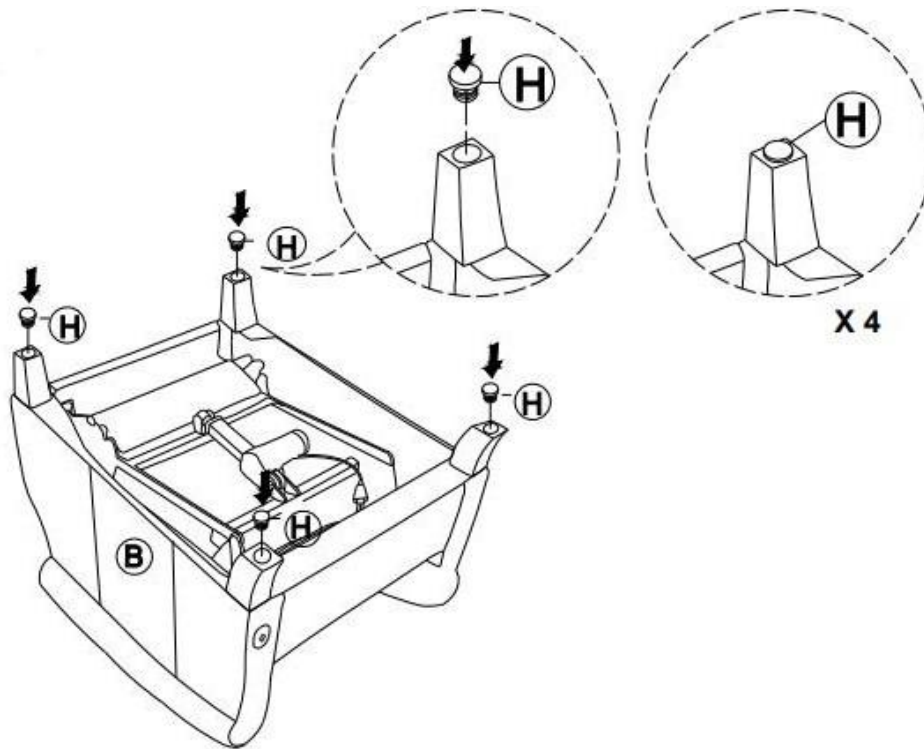
# STEP 1



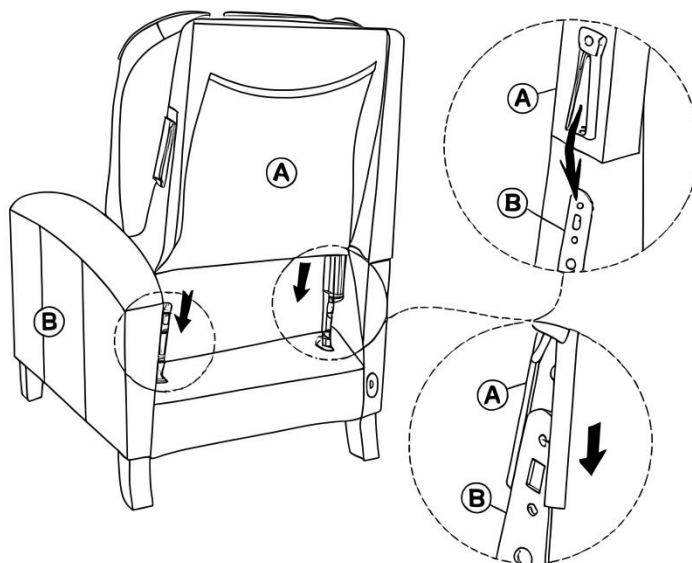
## STEP 2



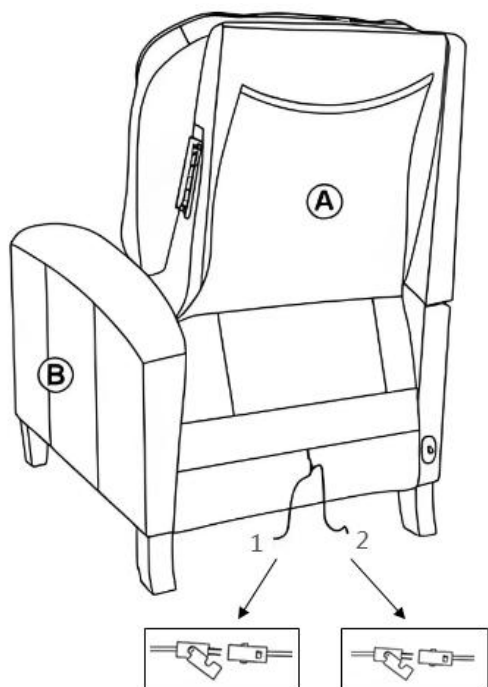
## STEP 3



## STEP 4



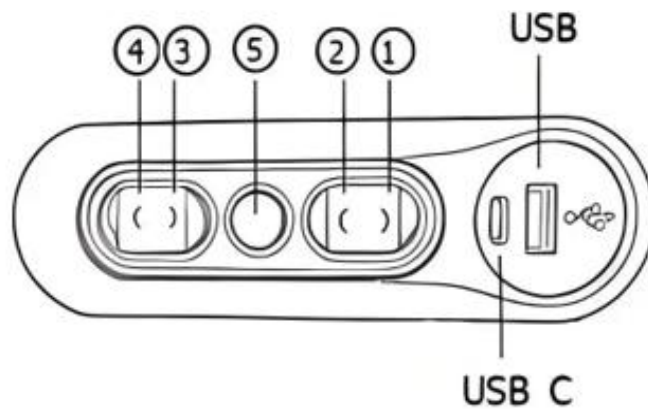
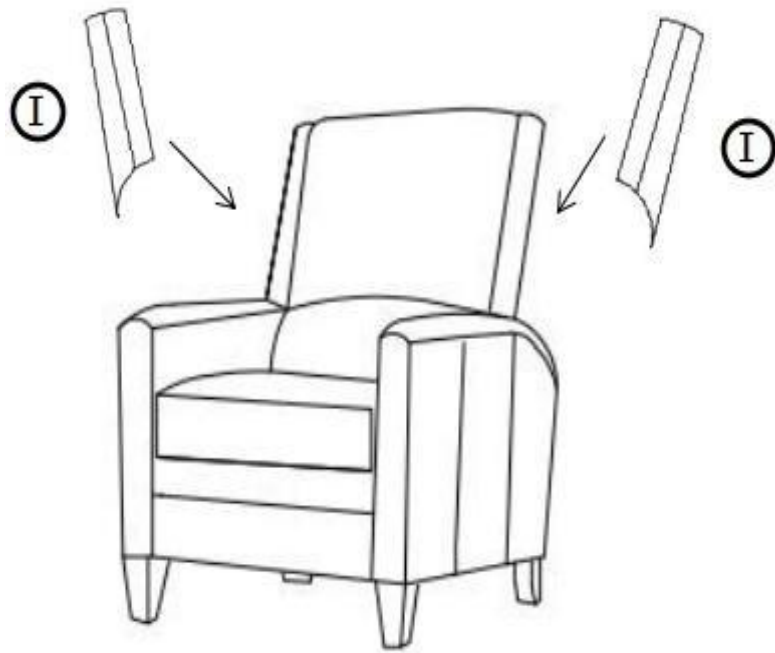
## STEP 5



### **Connect two cables as shown**

- Power cord marked in yellow is connected to headrest motor
- Power cord marked in green is connected to transformer

## STEP 6



1. Press button ① Headrest Back
2. Press button ② Headrest Forward
3. Press button ③ Leg Rest Close
4. Press button ④ Leg Rest Open
5. Press button ⑤ All Close