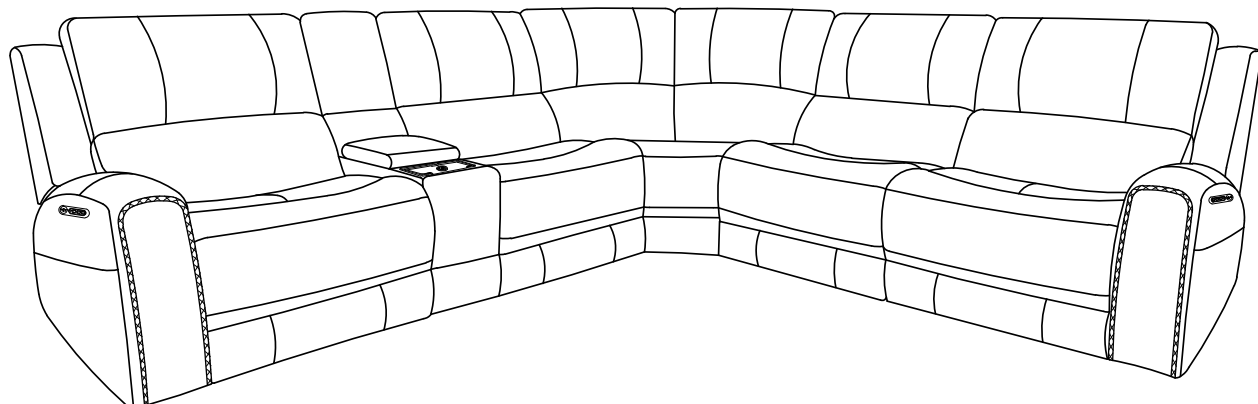




Parker Living
A Division of Parker House

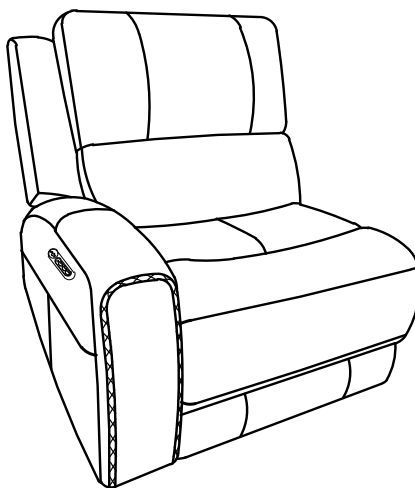
Assembly Instructions Belmont Collection



BEFORE ASSEMBLY





Thank you for purchasing this quality product. This product has been designed for easy assembly and constructed for durability. Please take the time to read and follow the assembly instructions carefully.

Power LAF Zero G Recliner P3



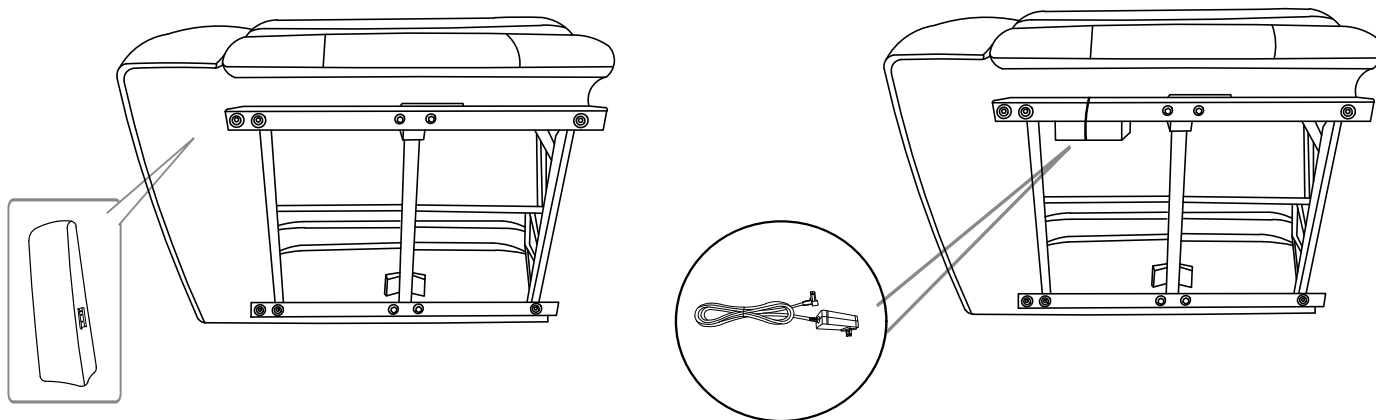
Part List

When unpacking, please be careful not to discard any parts with the packaging. Before continuing, please make sure you have the following parts:

NO	Description	Sketch	Qty
A	Body		1 PC
B	Back Cushion		1 PC
C	LAF Wing		1 PC
E	Plug Transformer		1 PC

Step 1

1. Take out the LAF wing (C) from the bottom of the armrest.
2. Remove the transformer from the bottom of the seat.



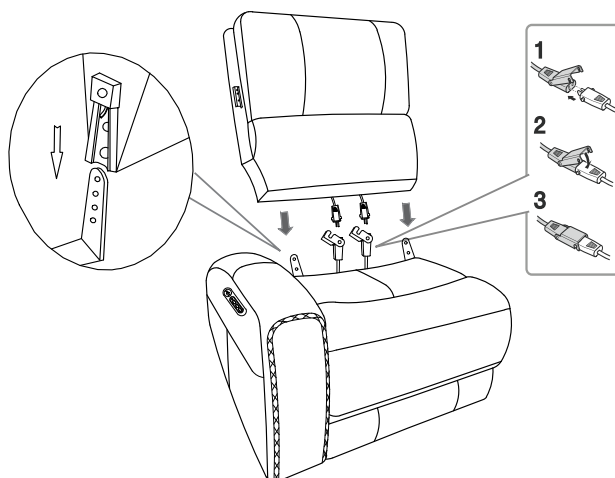
Step 2

1. Install the Back cushion (B) into the Body (A) by positioning the female metal receiver brackets over the male metal posts. Ensure that the female metal receiver brackets on each side line up with the seat metal posts. Push the backrest down until each side is locked into place and an audible "click" is heard.

2. The power cables on the backrest and seat are labeled (Head and Lumbar) please connect each wire correctly.

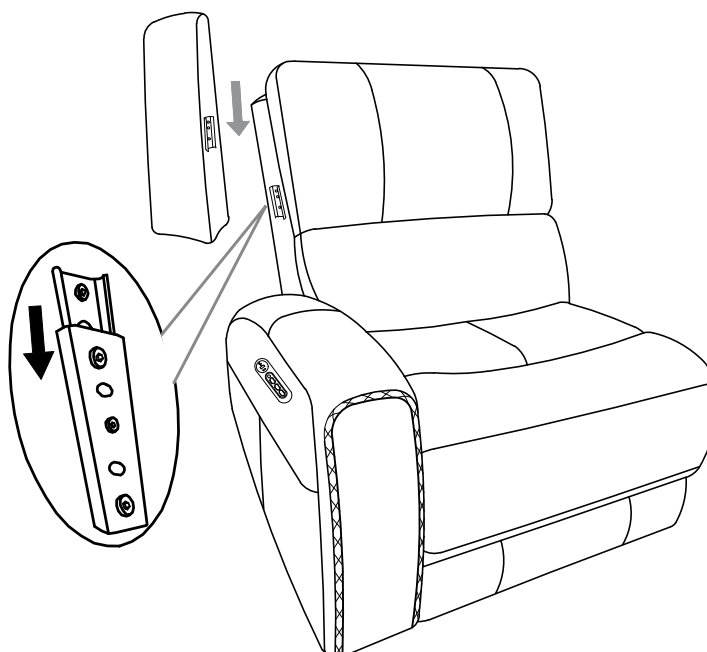
- Connect the "Head" wire to the "Head" wire.

- Connect the "Lumbar" wire to the "Lumbar" wire.



Step 3

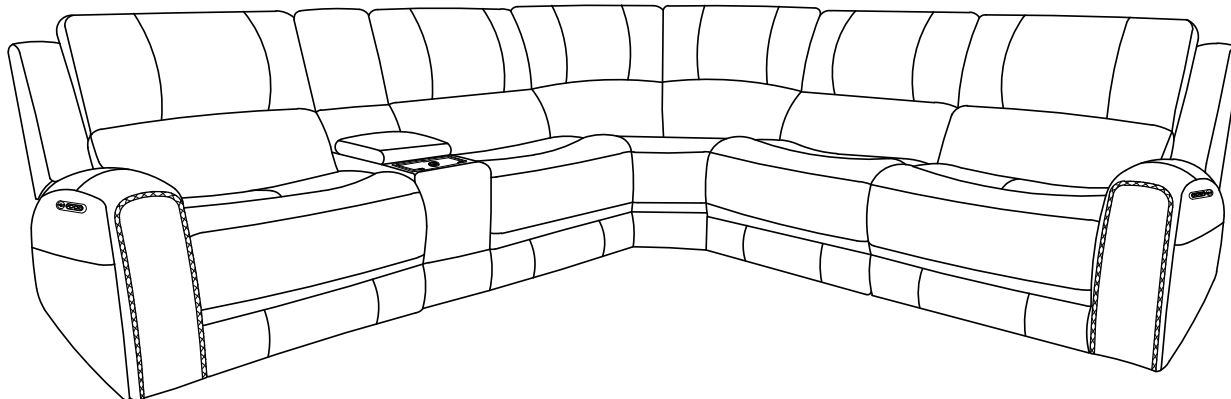
Install the LAF Wing (C) by sliding wings in a downward motion along the side of the seat back to connect the brackets.





Parker Living
A Division of Parker House

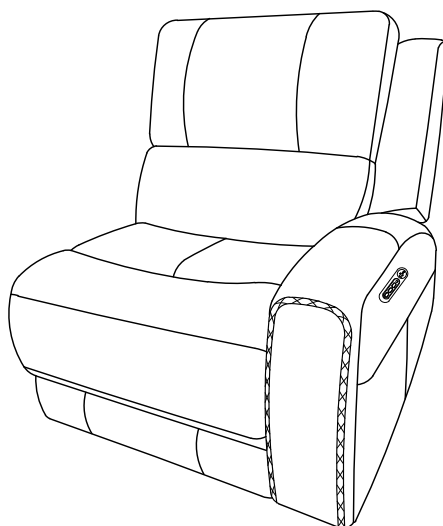
Assembly Instructions Belmont Collection



BEFORE ASSEMBLY

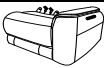



Thank you for purchasing this quality product. This product has been designed for easy assembly and constructed for durability. Please take the time to read and follow the assembly instructions carefully.

Power RAF Zero G Recliner P3



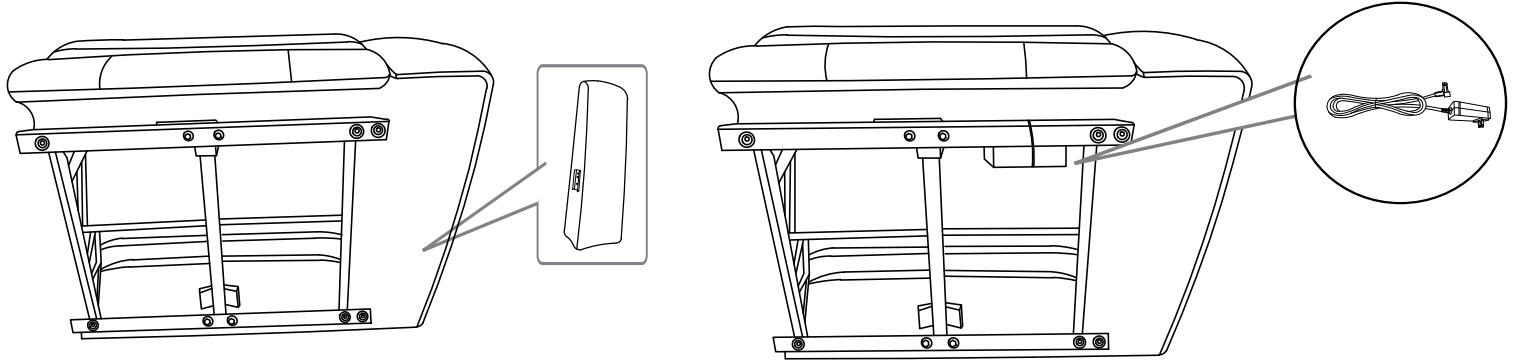
Part List

When unpacking, please be careful not to discard any parts with the packaging. Before continuing, please make sure you have the following parts:

No	Description	Sketch	Qty
A	Body		1 PC
B	Back Cushion		1 PC
C	RAF Wing		1 PC
D	Plug Transformer		1 PC

Step 1

1. Take out the RAF wing (C) from the bottom of the armrest.
2. Remove the transformer from the bottom of the seat.

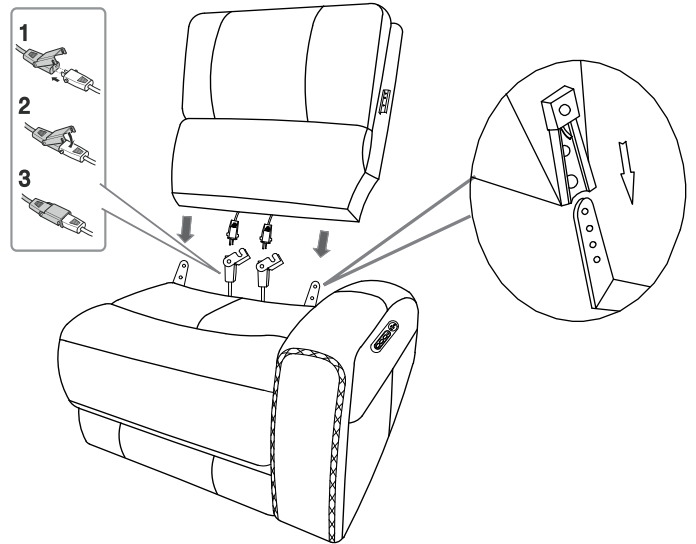


Step 2

1. Install the Back cushion (B) into the Body (A) by positioning the female metal receiver brackets over the male metal posts. Ensure that the female metal receiver brackets on each side line up with the seat metal posts. Push the backrest down until each side is locked into place and an audible "click" is heard;

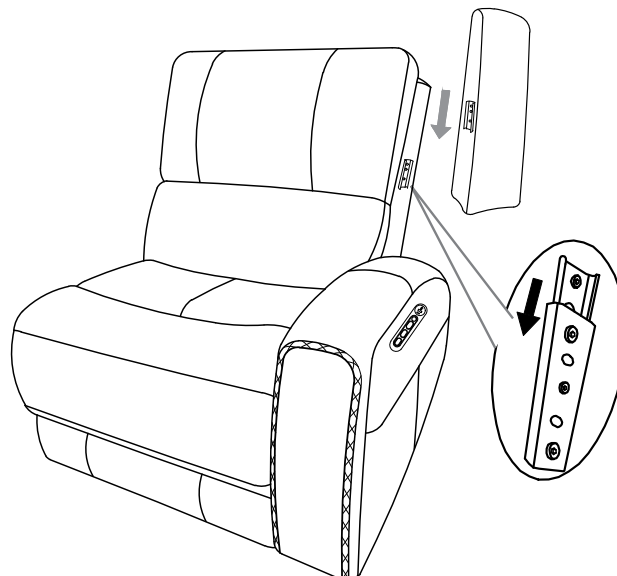
2. The power cables on the backrest and seat are labeled (Head and Lumbar) please connect each wire correctly.

- Connect the "Head" wire to the "Head" wire.
- Connect the "Lumbar" wire to the "Lumbar" wire.



Step 3

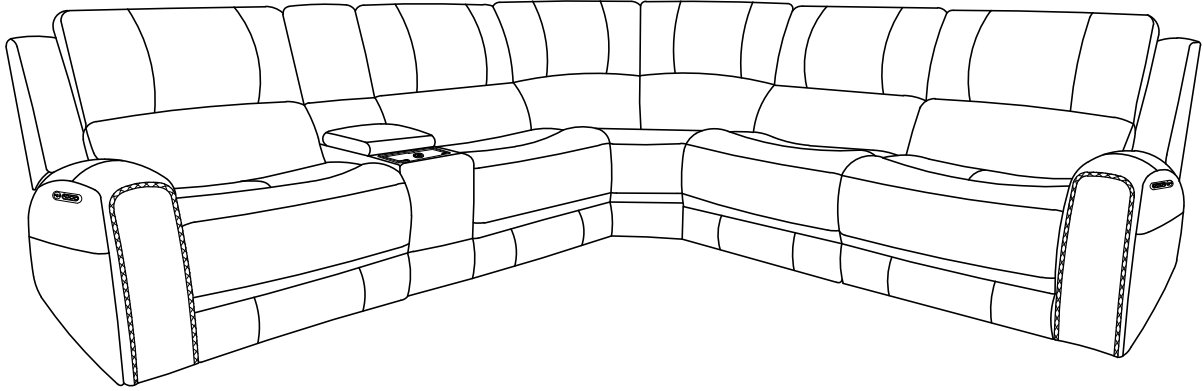
- Install the RAF Wing (C) by sliding wings in a downward motion along the side of the seatback to connect the brackets.





Parker Living
A Division of Parker House

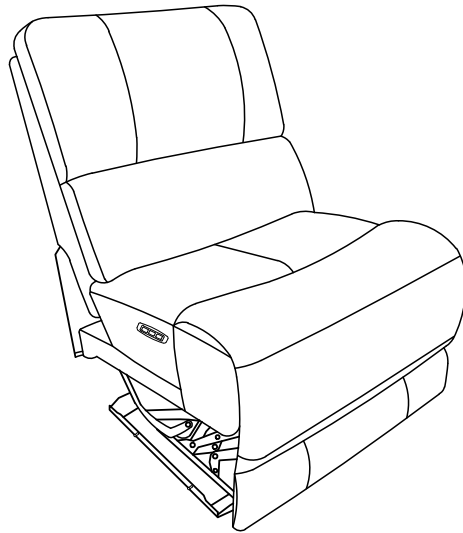
Assembly Instructions Belmont Collection



BEFORE ASSEMBLY



Thank you for purchasing this quality product. This product has been designed for easy assembly and constructed for durability. Please take the time to read and follow the assembly instructions carefully.

Power Armless Zero G Recliner P3



Part List

When unpacking, please be careful not to discard any parts with the packaging. Before continuing, please make sure you have the following parts:

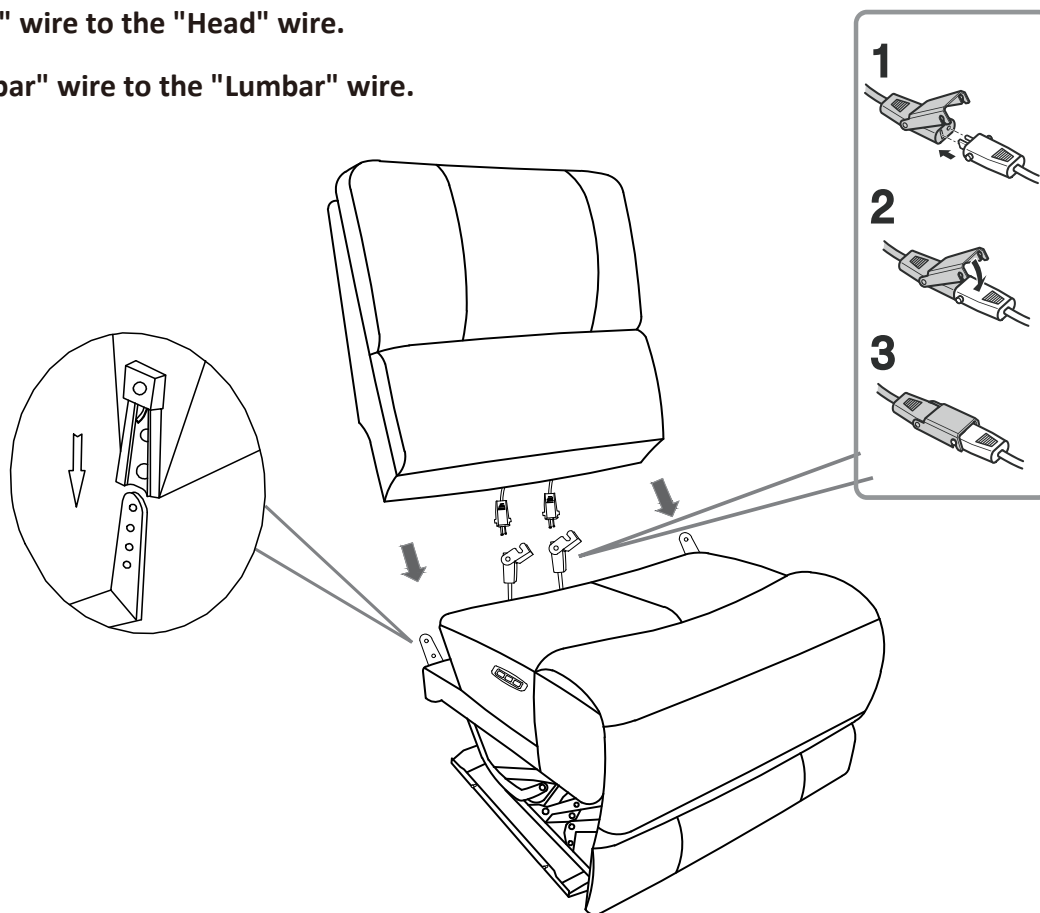
No	Description	Sketch	Qty
A	Body		1 PC
B	Back Cushion		1 PC

1. Install the Back cushion(B) into the Body (A) by positioning the female metal receiver brackets over the male metal posts. Ensure that the female metal receives brackets on each side line up with the seat metal posts. Push the backrest down until each side is locked into place and an audible "click" is heard.

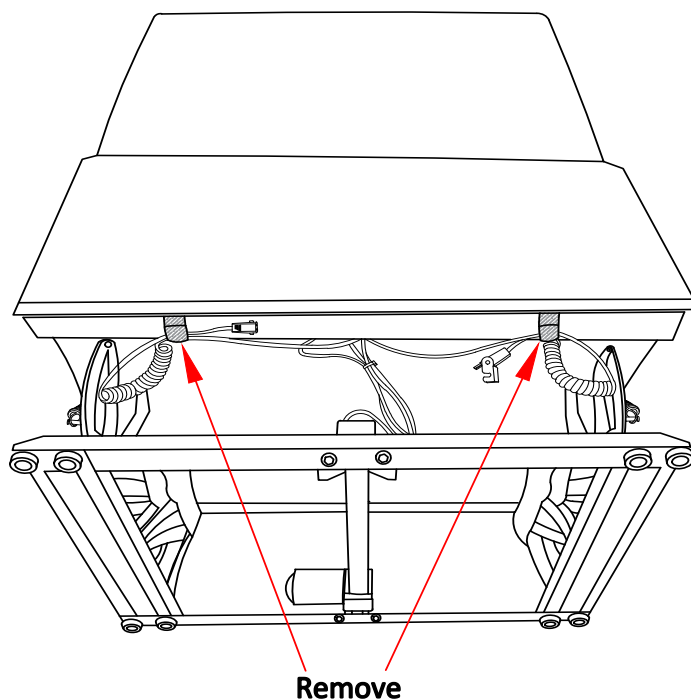
2. The power cables on the backrest and seat are labeled (Head and Lumbar) please connect each wire correctly.

- Connect the "Head" wire to the "Head" wire.

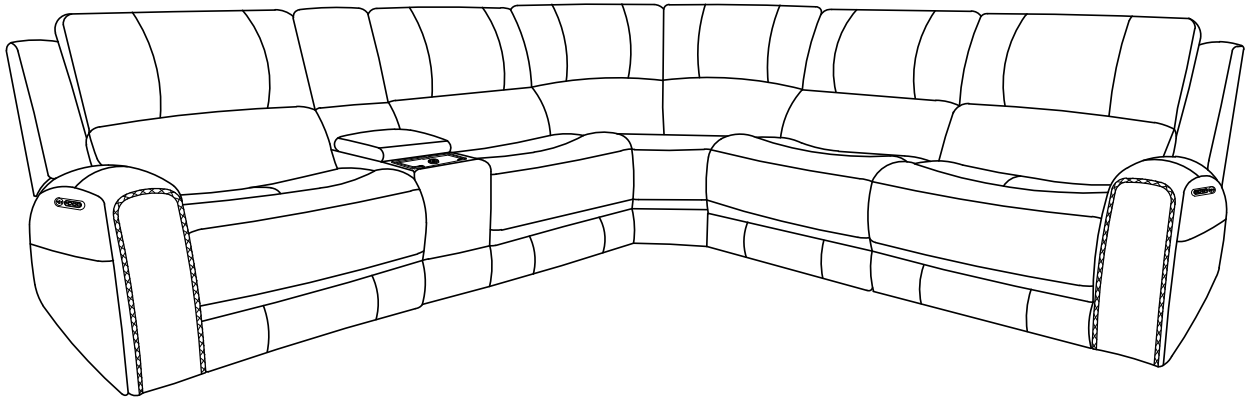
- Connect the "Lumbar" wire to the "Lumbar" wire.



3. Remove the velcro patch securing the power connection cable.



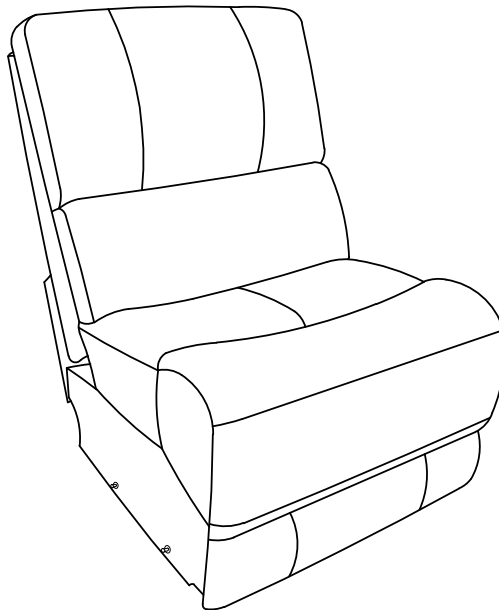
Assembly Instructions Belmont Collection



BEFORE ASSEMBLY

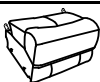

Thank you for purchasing this quality product. This product has been designed for easy assembly and constructed for durability. Please take the time to read and follow the assembly instructions carefully.

Armless Chair



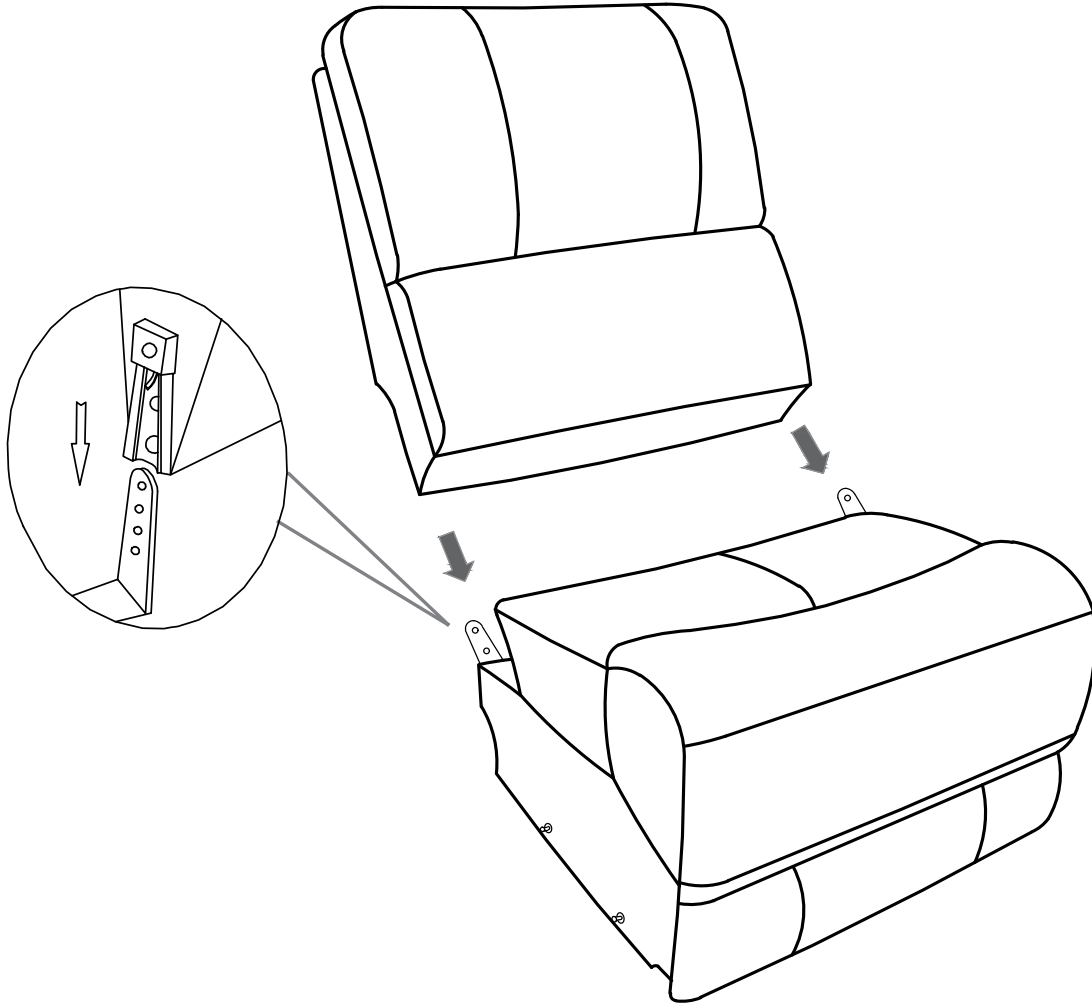
Part List

When unpacking, please be careful not to discard any parts with the packaging. Before continuing, please make sure you have the following parts:

No	Description	Sketch	Qty
A	Body		1 PC
B	Back Cushion		1 PC

Step 1

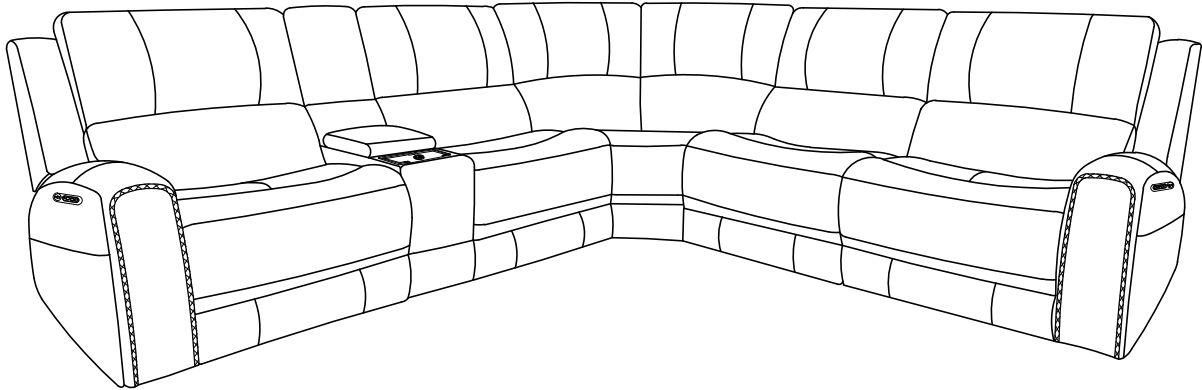
Install the Back cushion(B) into the Body (A) by positioning the female metal receiver brackets over the male metal posts. Ensure that the female metal receives brackets on each side line up with the seat metal posts. Push the backrest down until each side is locked into place and an audible "click" is heard.





Parker Living
A Division of Parker House

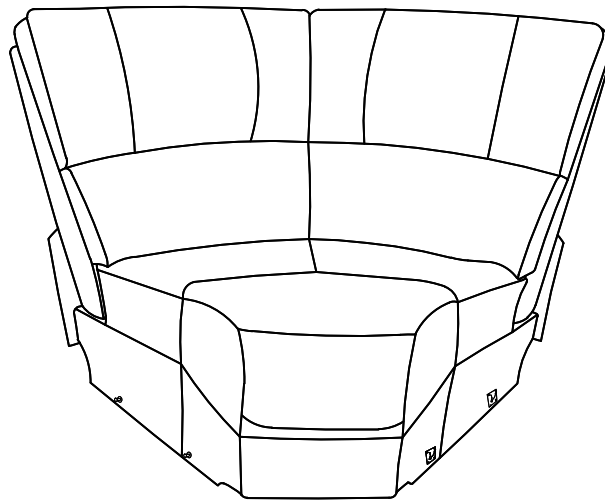
Assembly Instructions Belmont Collection



BEFORE ASSEMBLY

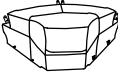


Thank you for purchasing this quality product. This product has been designed for easy assembly and constructed for durability. Please take the time to read and follow the assembly instructions carefully.

Corner Wedge



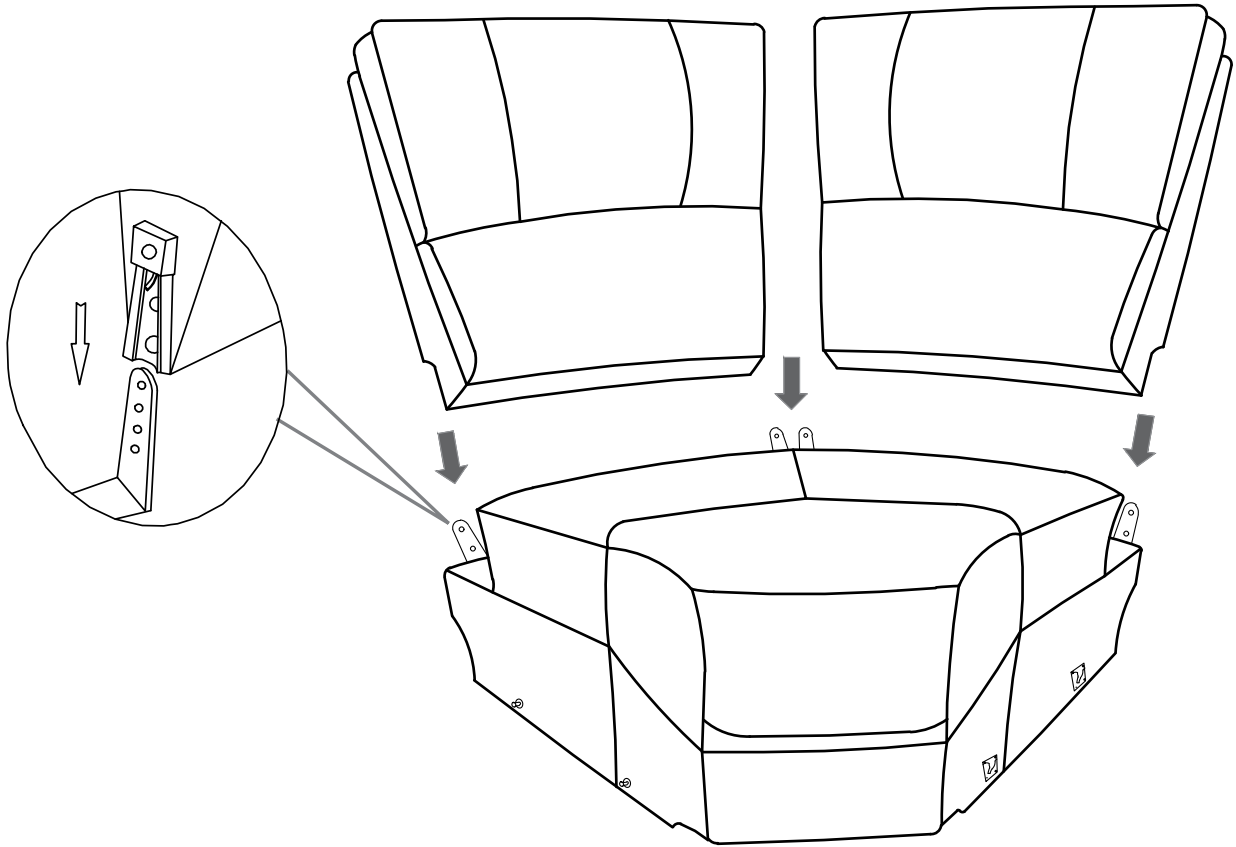
Part List

When unpacking, please be careful not to discard any parts with the packaging. Before continuing, please make sure you have the following parts:

No	Description	Sketch	Qty
A	Body		1 PC
B	LAF Back Cushion		1 PC
C	RAF Back Cushion		1 PC

Step 1

Install the Backrest(B/C) into the Body(A) by positioning the female metal receiver brackets over the male metal posts. Ensure that female metal receiver brackets on each side of the backrest are line up with the seat metal posts. Push down the female brackets over male posts simultaneously until each side is locked into place and an audible “ click ” is heard .

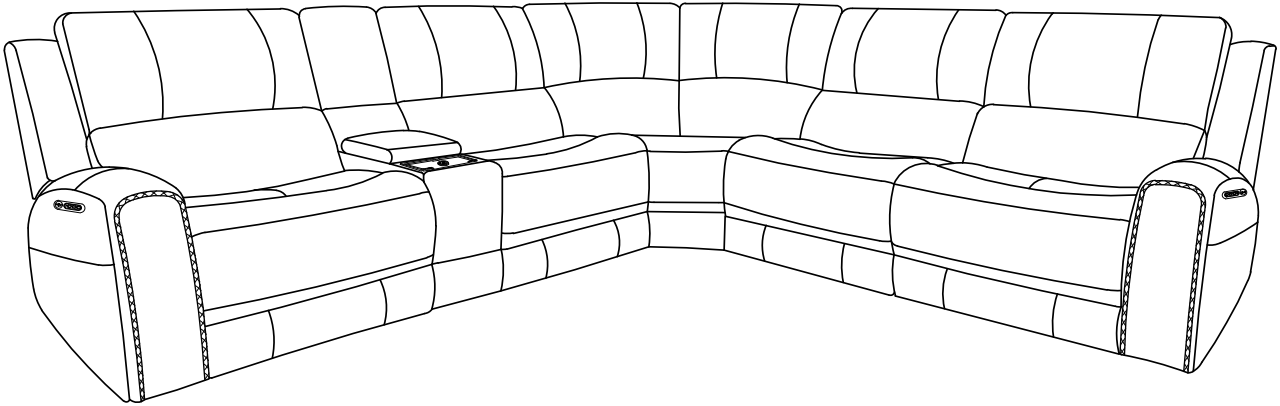




Parker Living
A Division of Parker House

Assembly Instructions

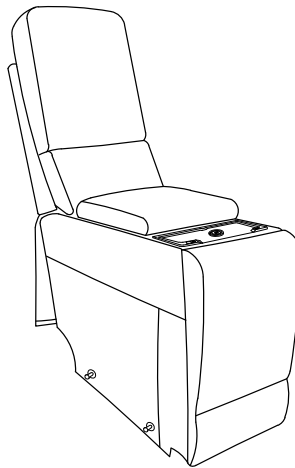
Belmont Collection



BEFORE ASSEMBLY






Thank you for purchasing this quality product. This product has been designed for easy assembly and constructed for durability. Please take the time to read and follow the assembly instructions carefully.

Entertainment Tilt Console with Wireless Charger



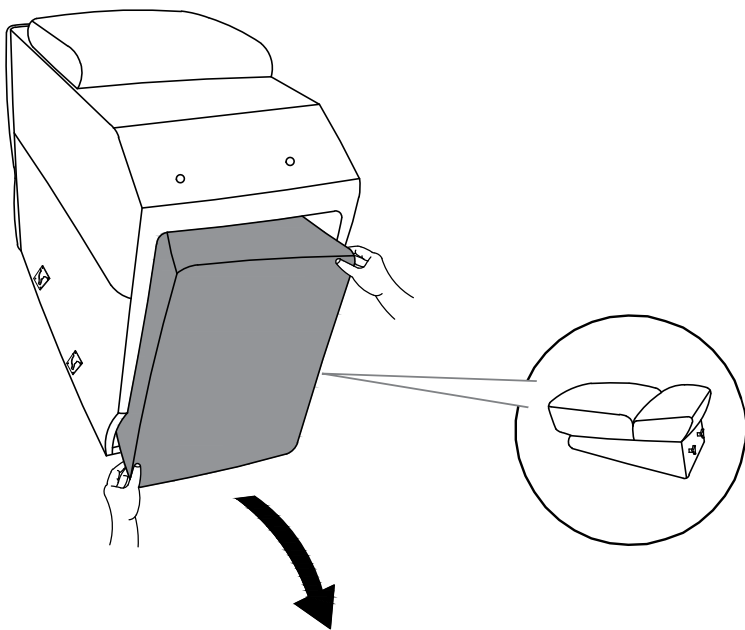
Part List

When unpacking, please be careful not to discard any parts with the packaging. Before continuing, please make sure you have the following parts:

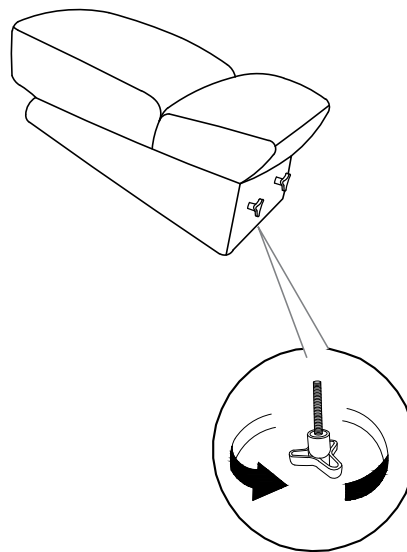
No	Description	Sketch	Qty
A	Body		1 PC
B	Back Cushion		1 PC
C	Screws		2 PC
D	Screw Base		2 PC
E	Plug Transformer		1 PC

1. Take the back cushion (B) from behind the Body (A).
2. Unscrew the knob screws from the console backrest (B).
3. Install the Back cushion by inserting 2 screws into predrilled holes on Console Body. Screw up from bottom to attach the console back.

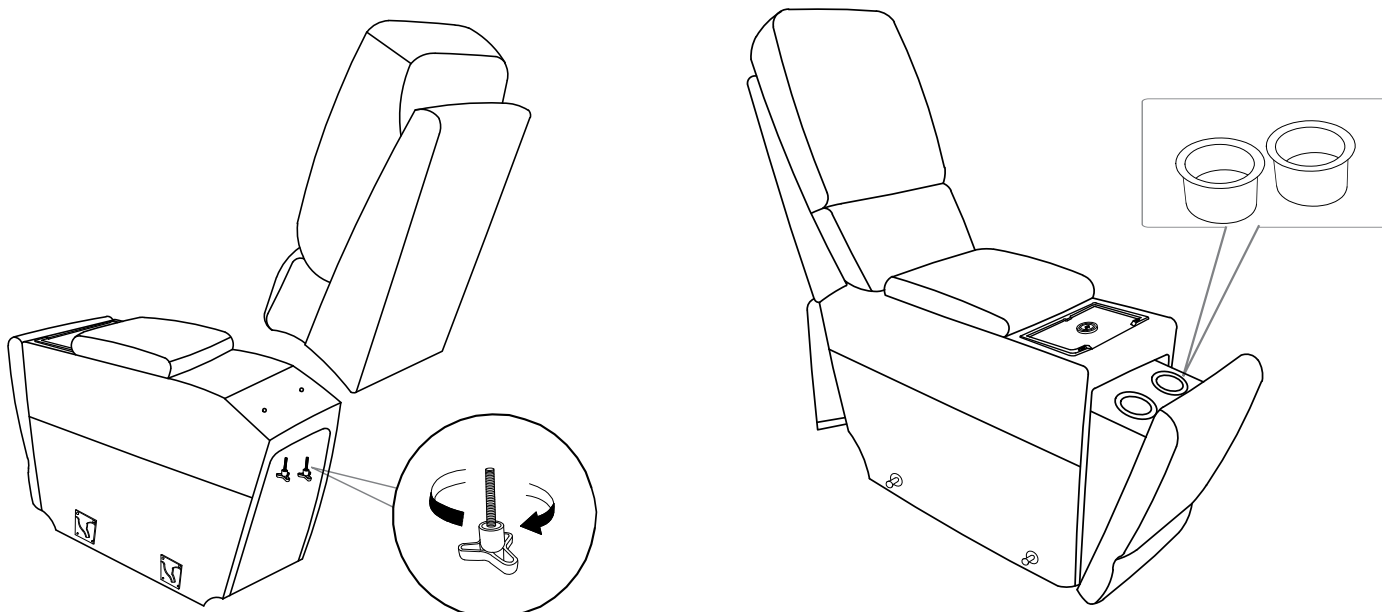
1



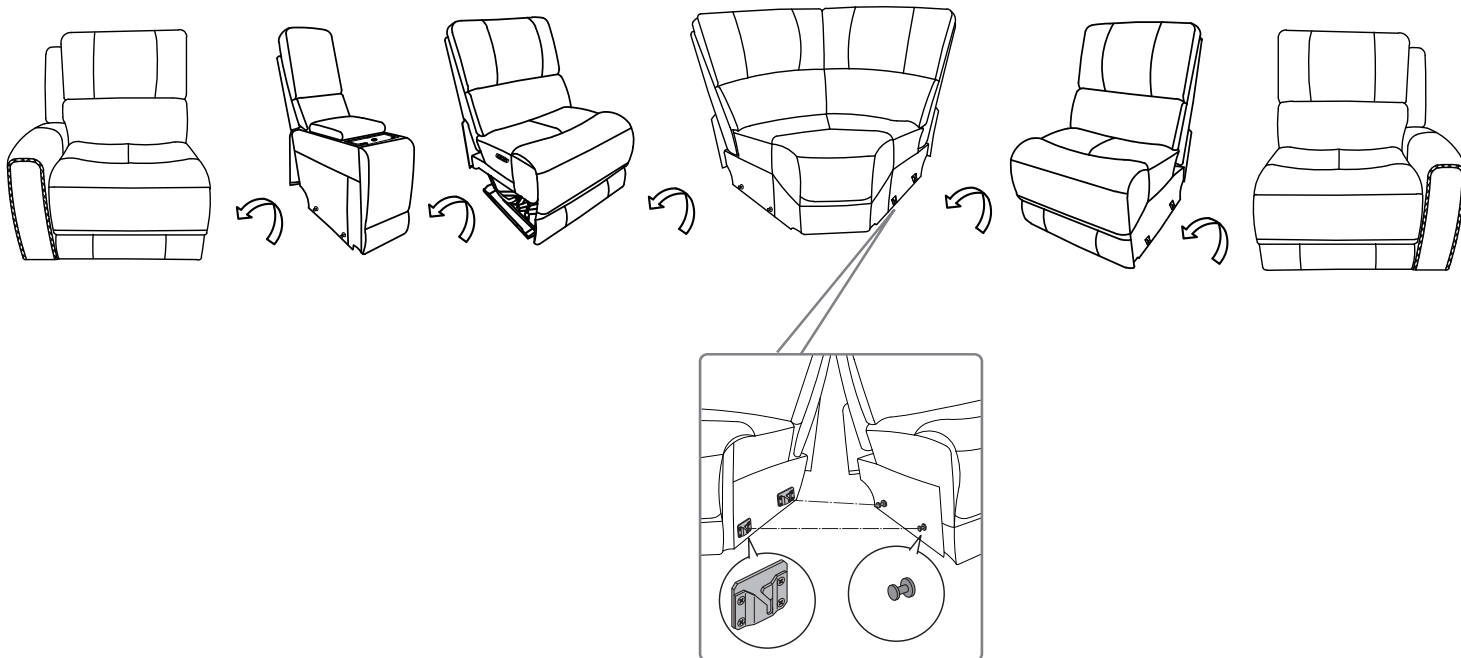
2



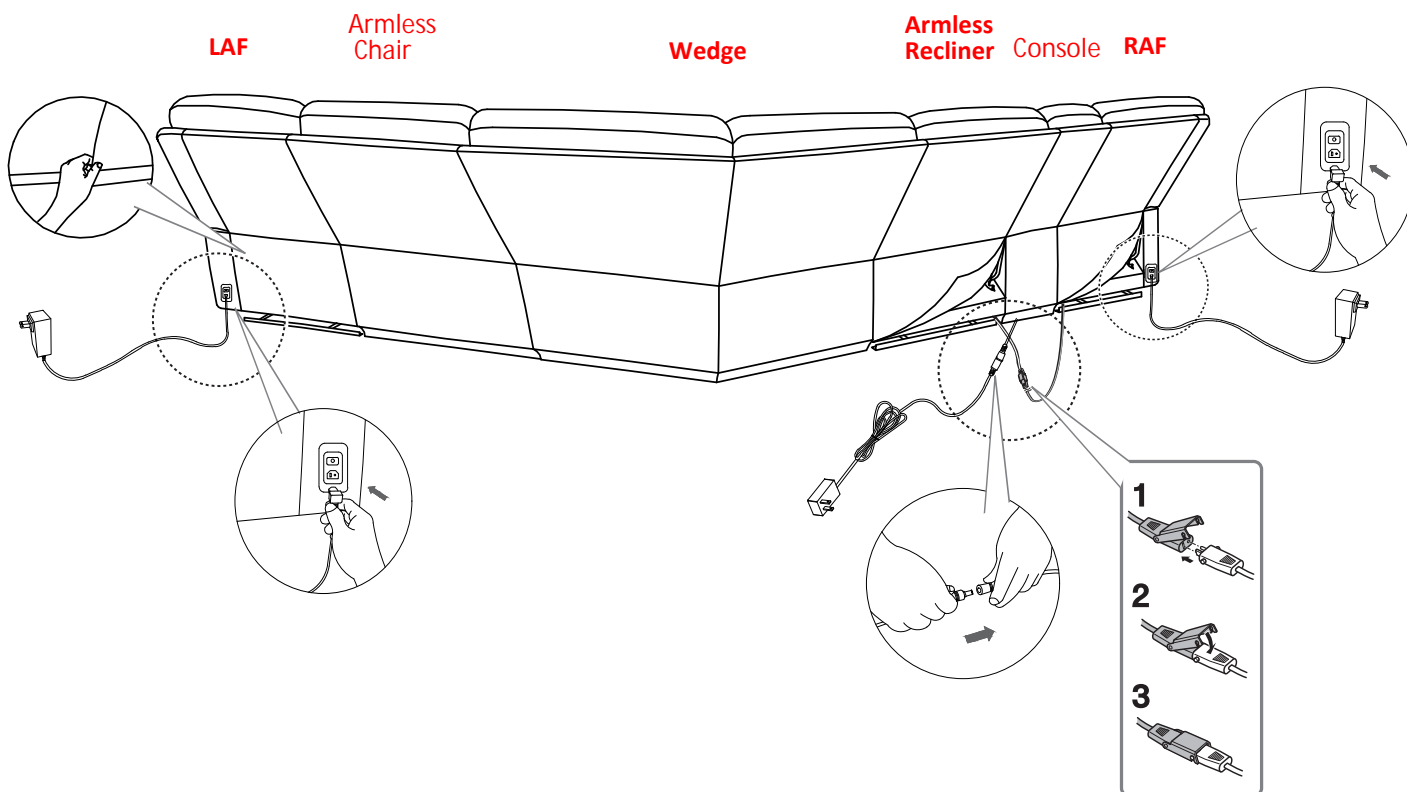
3



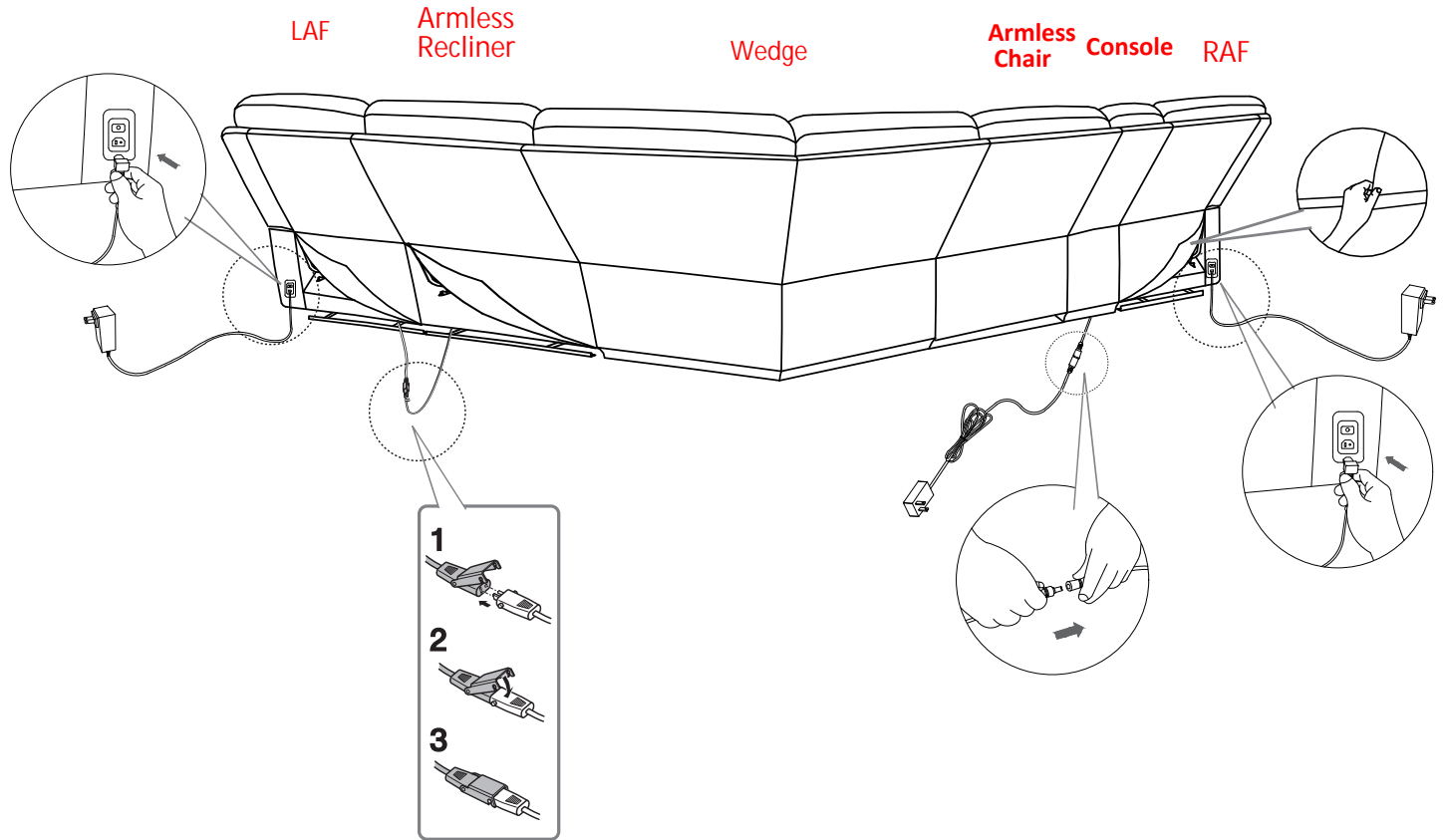
1. Begin sectional connection by placing the pieces in the desired location in the room. Connect the pieces together using the brackets on the sides of each piece.



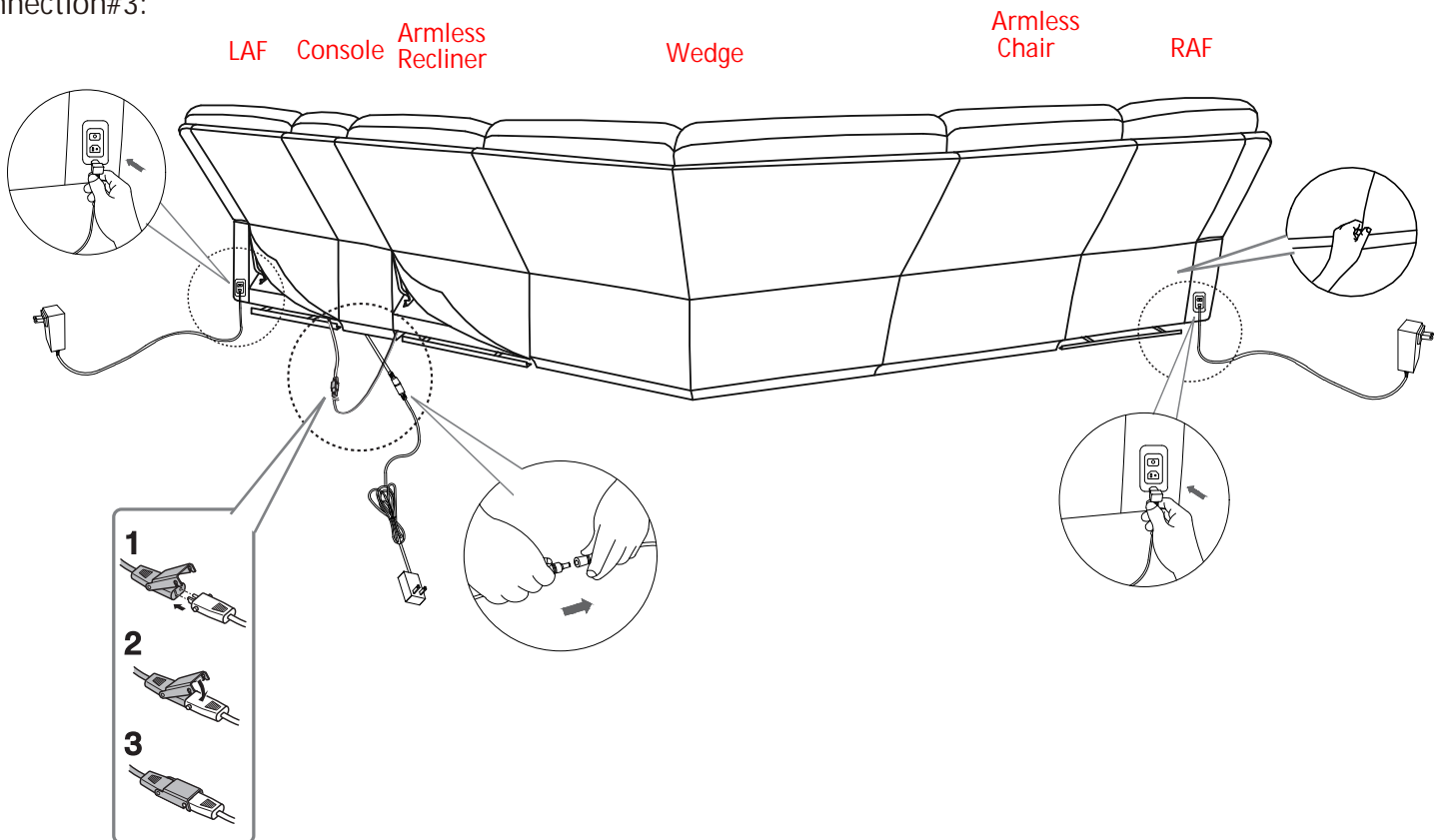
Connection#1:



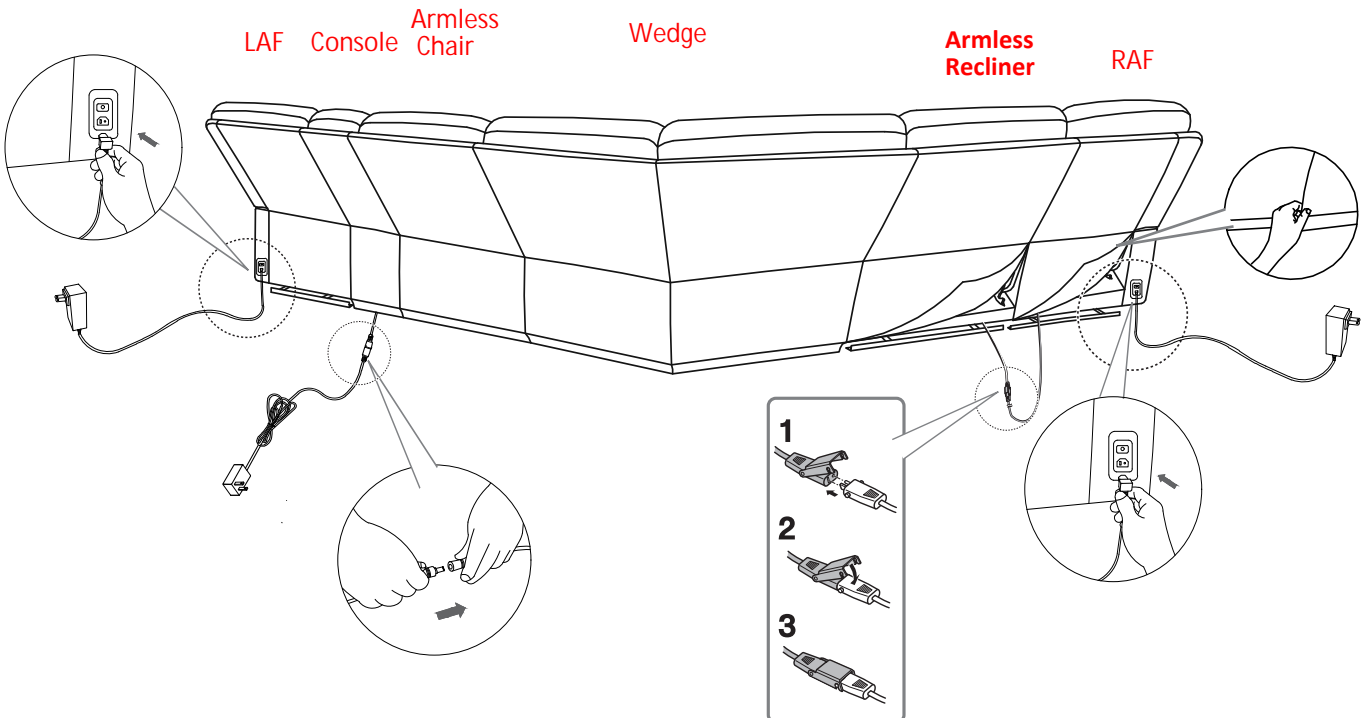
Connection#2:



Connection#3:

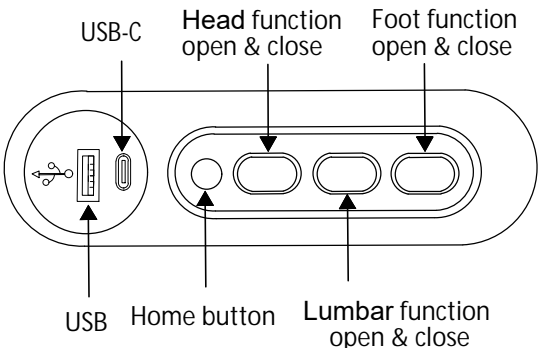
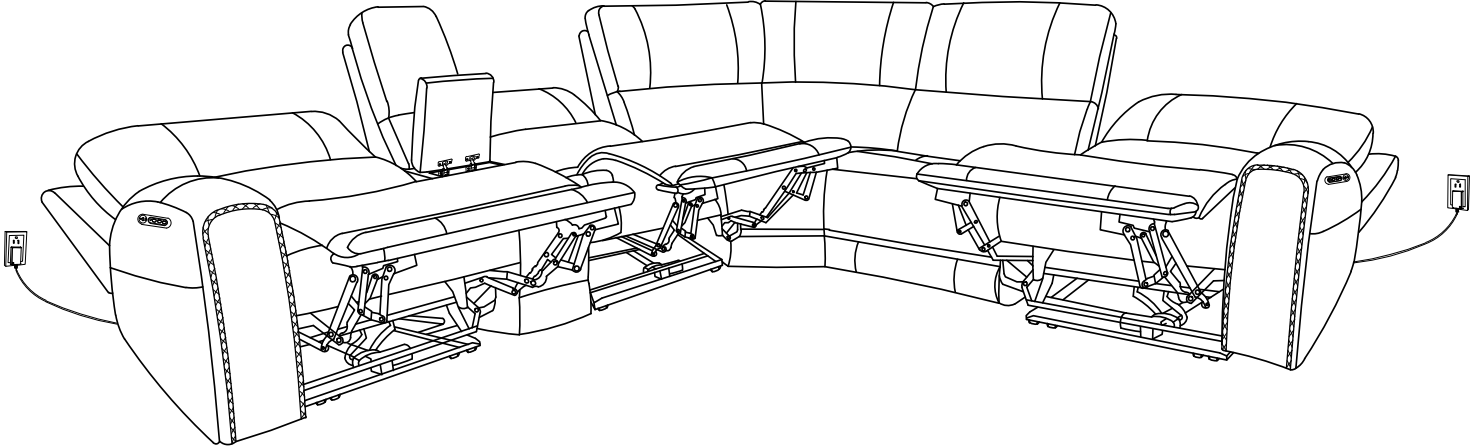


Connection#4:



Remark:

1. Armless Recliner connection cable used to connect to LAF or RAF seat.
2. Once the segmented wires have been connected together, connect the DC Adapter to a wall outlet and enjoy!



3-way Wireless Charger Instruction

