



Assembly Instruction

Item No: DLOD#2226

Parker House
FURNITURE

Description : COUNTER STOOL UPHOLSTERED (2/CTN SOLD IN PAIRS)

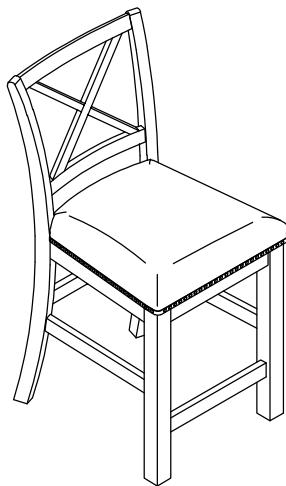
2022-04-05

HARDWARE LIST (X2)

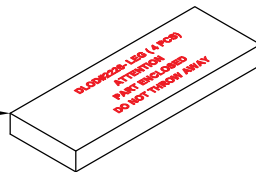
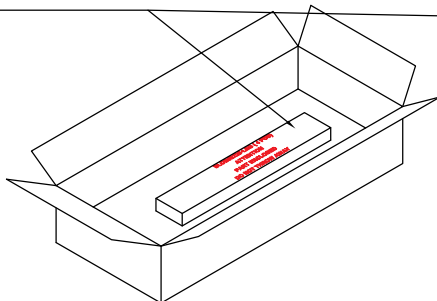
No	Description	Sketch	Q'TY
A	Allen Wrench 4mm		1PC
B	Bolt Ø1/4x40mm		2PCS
C	Bolt Ø1/4x60mm		4PCS
D	Bolt Ø1/4x75mm		4PCS
E	Lock Washer Ø1/4x12mm		10PCS
F	Flat Washer Ø1/4x19mm		10PCS
G	Screw #4x38mm		6PCS

PARTS LIST (X2)

BACK FRAME (1PC)		SEAT FRAME (1PC)	
①		②	
LEFT FRONT LEG (1PC)		RIGHT FRONT LEG (1PC)	
③		④	
LEFT STRETCHER (1PC)		RIGHT STRETCHER (1PC)	
⑤		⑥	
FRONT STRETCHER (1PC)			
⑦			



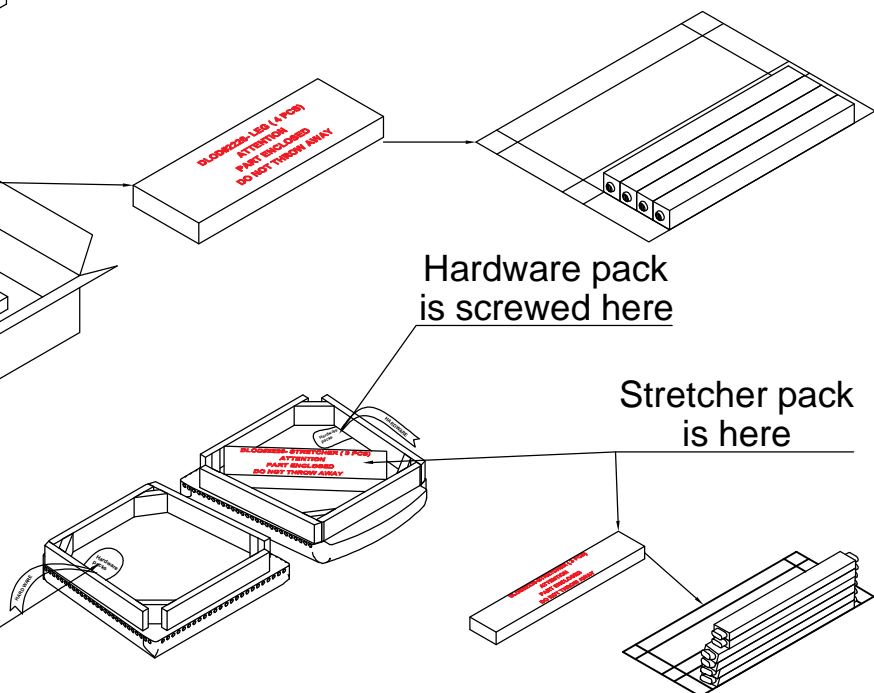
Legs
pack is here



Hardware pack
is screwed here

Stretcher pack
is here

Hardware pack
is screwed here





Parker House
FURNITURE

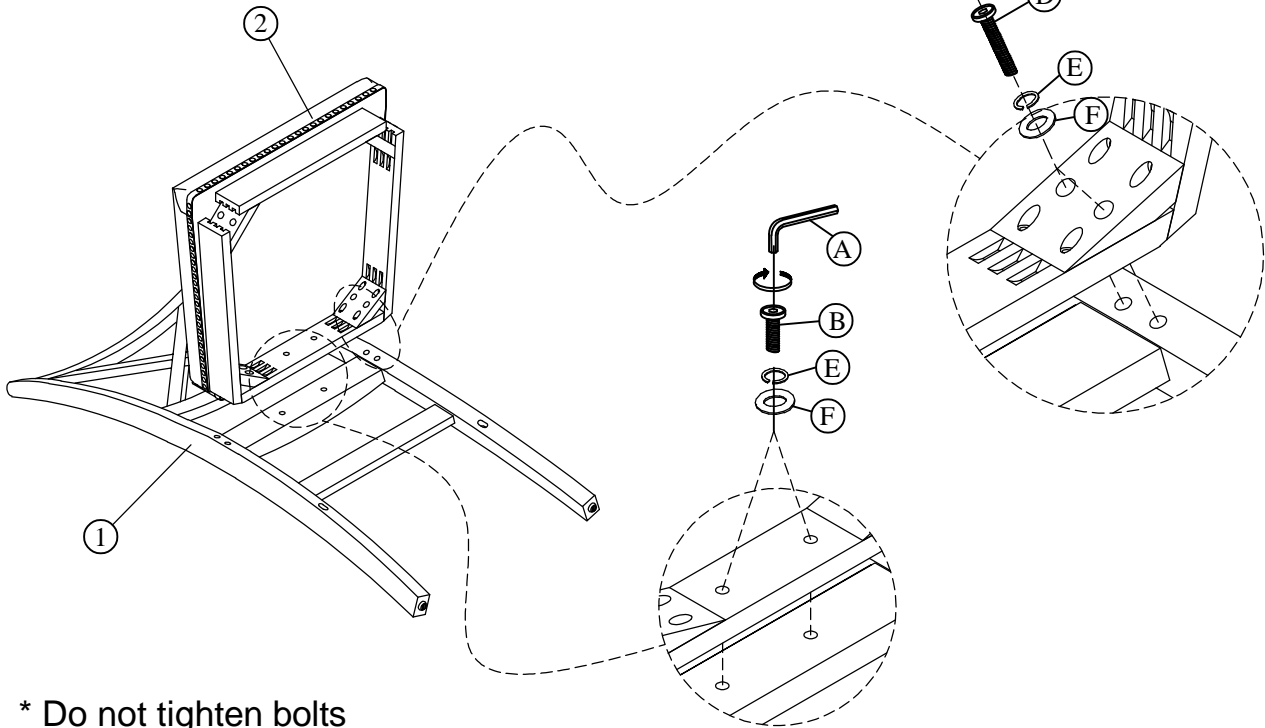
Assembly Instruction

Item No: DLOD#2226

Description : COUNTER STOOL UPHOLSTERED (2/CTN SOLD IN PAIRS)

2022-04-05

STEP 1



STEP 2

