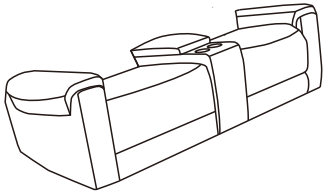


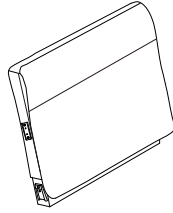
CALGARY LOVESEAT

ASSEMBLY INSTRUCTIONS

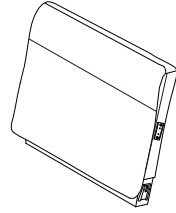
AX 1



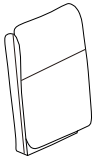
BX 1



CX 1



DX 1



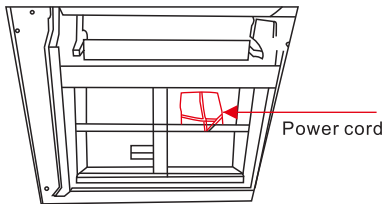
EX 1



FX 1

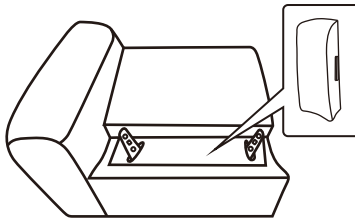


1

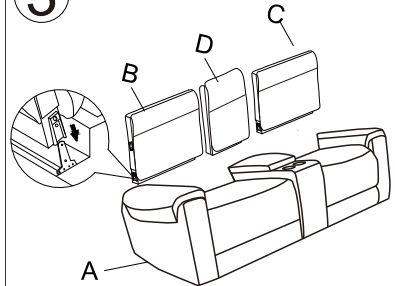


Untie the power cord.

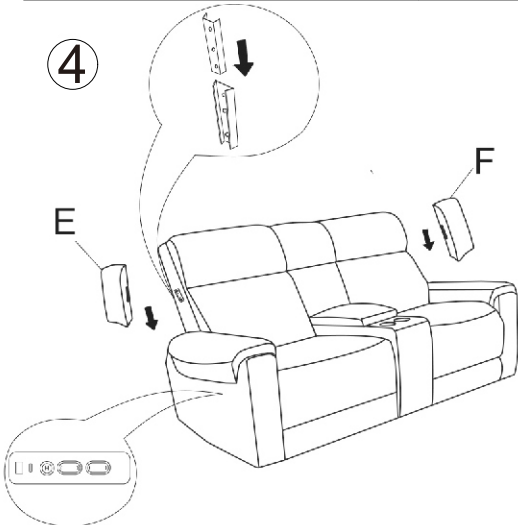
2



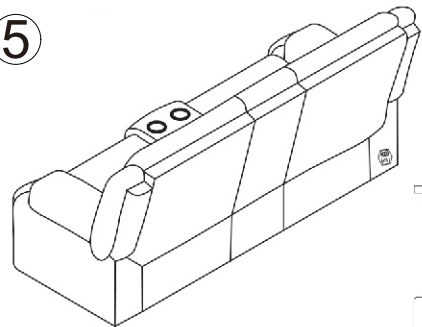
3



4

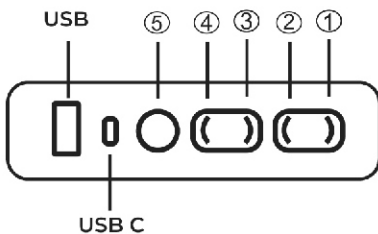


5

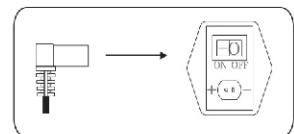


Wall Plug Transformer

Connect wall plug transformer to transformer switch.
wall transformer to Transformer Power Switch



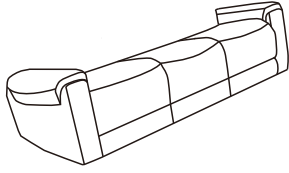
1. Press button 1 Leg Rest Open
2. Press button 2 Leg Rest Close
3. Press button 3 Headrest Forward
4. Press button 4 Headrest Back
5. Home button 5 All close



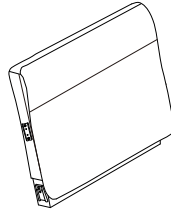
CALGARY SOFA

ASSEMBLY INSTRUCTIONS

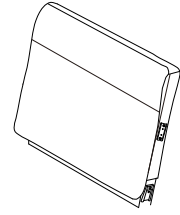
AX 1



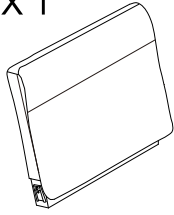
BX 1



CX 1



DX 1



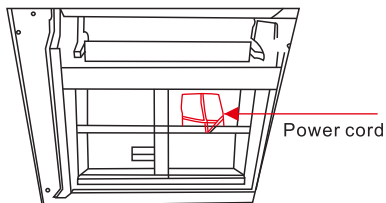
EX 1



FX 1

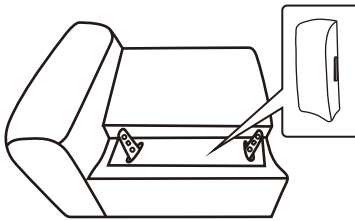


1

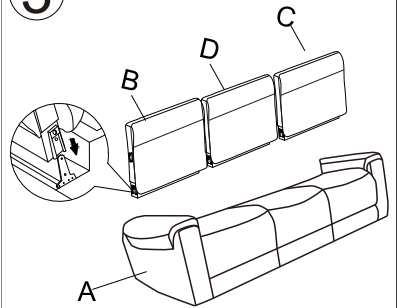


Untie the power cord.

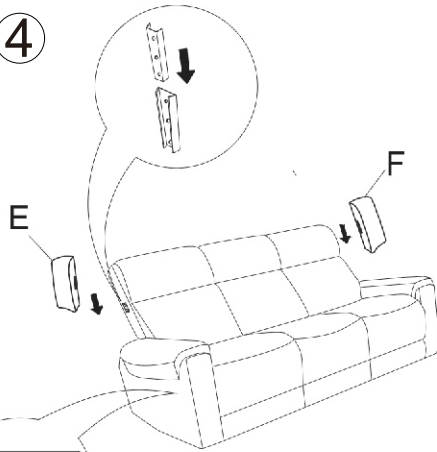
2



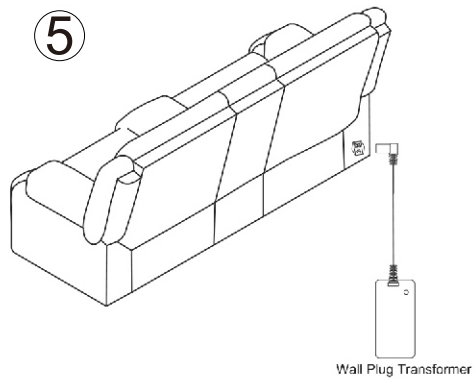
3



4

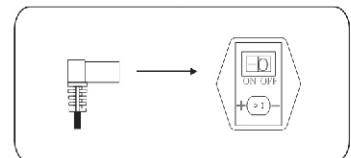


5

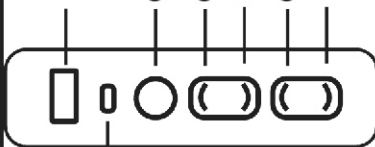


Wall Plug Transformer

Connect wall plug transformer to transformer switch.
wall plug transformer to Transformer Power Switch



USB 5 4 3 2 1



USB C

1. Press button 1 Leg Rest Open
2. Press button 2 Leg Rest Close
3. Press button 3 Headrest Forward
4. Press button 4 Headrest Back
5. Home button 5 All close