

Assembly Instructions

Stage 1 – Fitting the Unit

NOTE: It would be useful to ask someone to help you at this stage.

1. Insert the Back Rest onto the Seat Cushion.

NOTE: Carefully align the two side Metal Locks. Ensure they align correctly.

2. Engage the Metal Locks and push fit. You should hear them lock into position.
3. Fit the Velcro cover on the Back Rest onto the Velcro on the back of Seat Cushion.

See fig. 1



CAUTION:

DO NOT ALLOW CHILDREN TO PLAY ON THIS MECHANIZED FURNITURE OR OPERATE THE MECHANISM. LARGEST FOLDS DOWN ON CLOSING SO THAT A CHILD COULD NOT POSSIBLY BE INJURED. ALWAYS LEAVE IN AN UPRIGHT AND CLOSED POSITION. KEEP HANDS AND FEET CLEAR OF MECHANISM. ONLY OCCUPANT SHOULD OPERATE IT.

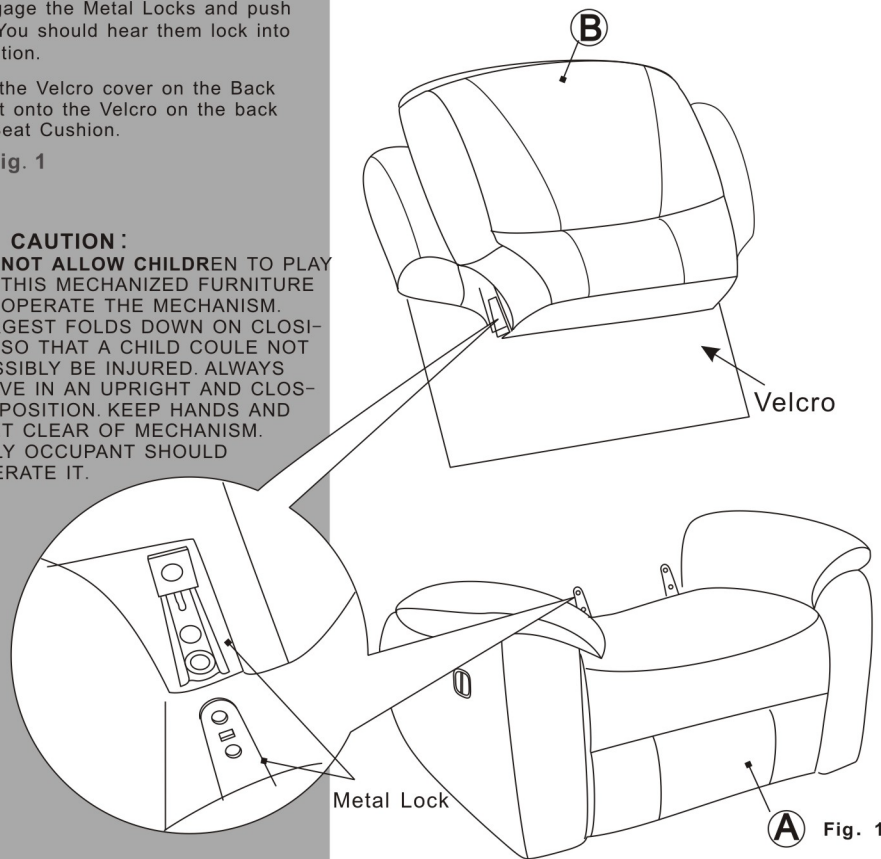


Fig. 1

Assembly Instructions

Stage 2 – Fitting the Unit

Back and Foot Rest Adjustment

This Chair features a reclining back rest and raised foot rest. You need to be sitting in the chair to activate the features.

1. Pull the "Adjustment Lever" and gently lean back and the chair will recline and the foot rest will automatically lift up.

See fig. 2

2. Pull the "Adjustment Lever" again and lean forward, the back rest will move forward and the foot rest will lower.

See fig. 2

3. Adjust the recliner to your own requirements.

NOTE: It would be useful ask someone to help you at this stage.

4. Finally carefully place the unit in the desired location.

See fig. 3

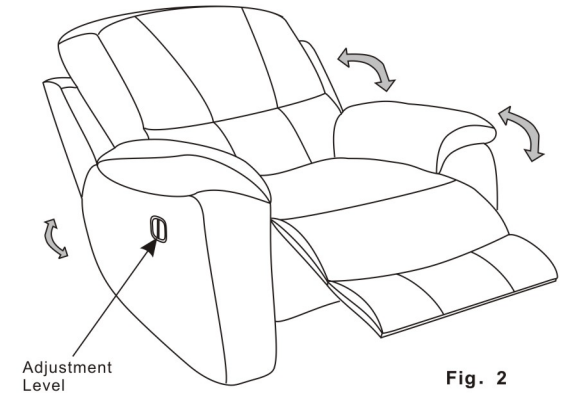


Fig. 2

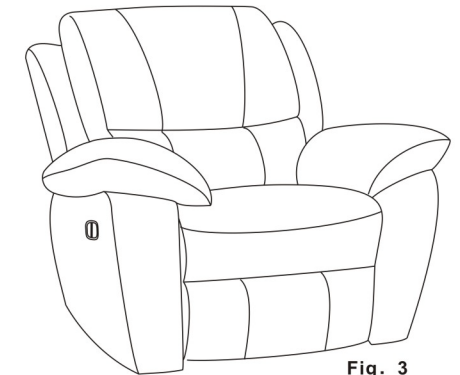


Fig. 3

Care and Maintenance

Safety

To avoid any risk of suffocation to animals or children dispose of the plastic bags immediately.

Cleaning

As with all surfaces clean with a damp cloth and mild detergent, do not use bleach or abrasive products.

Fitting

From time to time please ensure there are no loose screws on the product.