



Parker Living  
A Division of Parker House

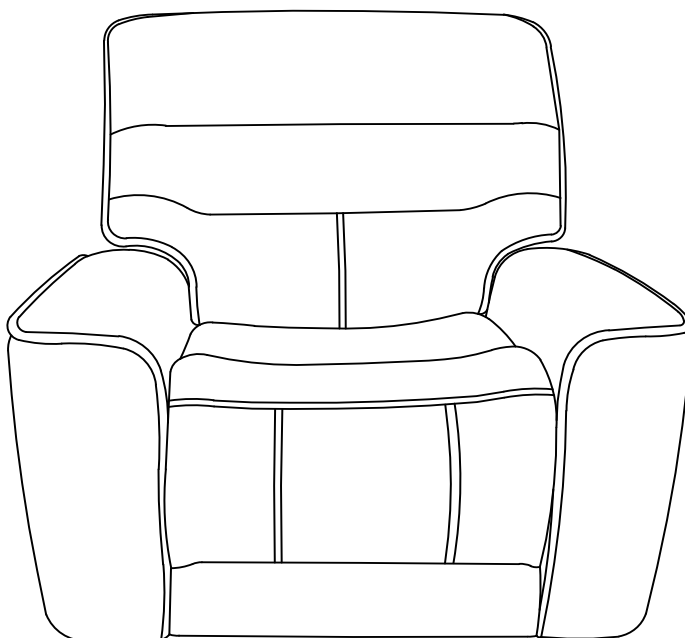
# Assembly Instructions

## Lawson Recliner

### BEFORE ASSEMBLY




Thank you for purchasing this quality product. This product has been designed for easy assembly and constructed for durability. **Please take the time to read and follow the assembly instructions carefully.**

### Power Zero Gravity Recliner P2



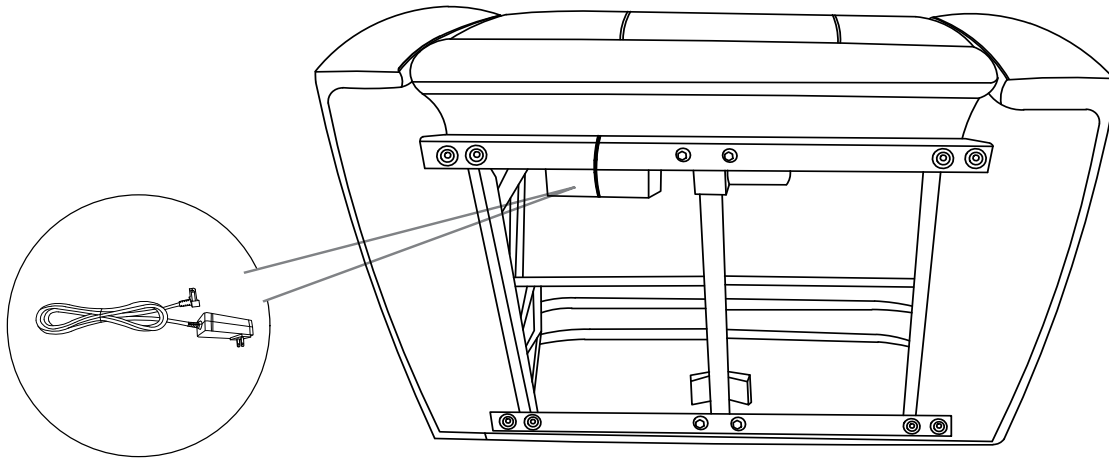
### Part List

When unpacking, please be careful not to discard any parts with the packaging. Before continuing, please make sure you have the following parts:

No	Description	Sketch	Qty
A	Body		1 PC
B	Back cushion		1 PC
C	Plug Transformer		1 PC

## Step 1

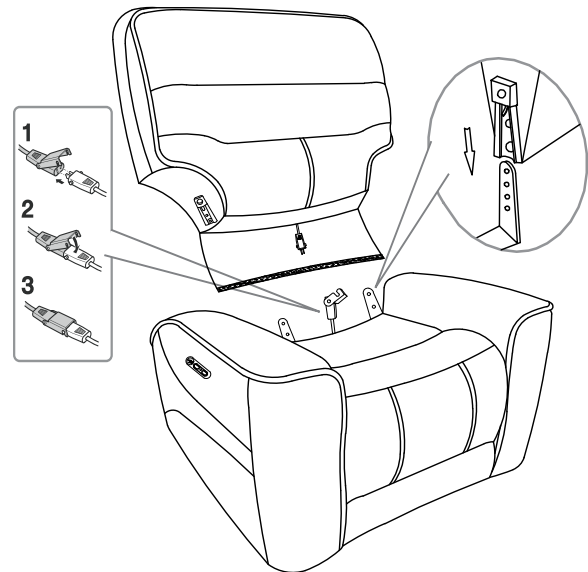
Remove the transformer(C) from the bottom of the seat.



## Step 2

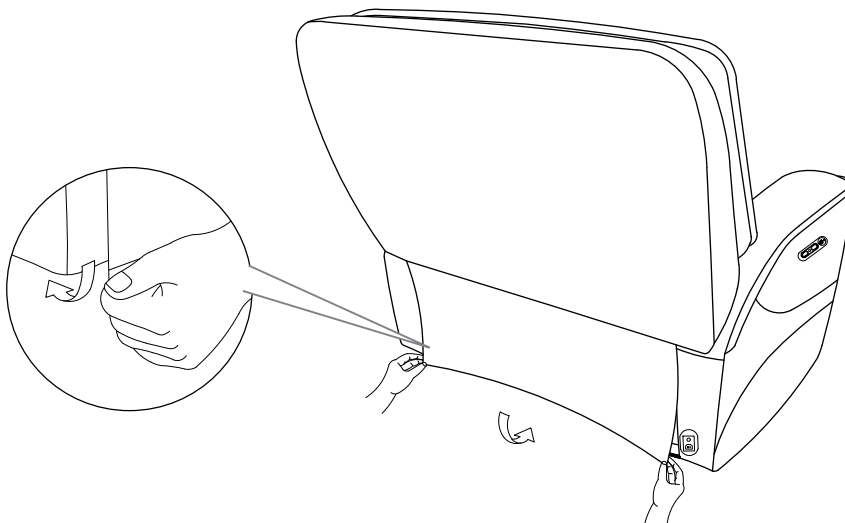
**1. Install the back cushion (B) into the body (A) by positioning the female metal receiver brackets over the male metal posts. Ensure that the female metal receiver brackets on each side line up with the seat metal posts. Push the backrest down until each side is locked into place and an audible "click" is heard;**

**2. Connect the headrest power cord located at the bottom of the backrest to the corresponding cord located at the back of the seat body. Make sure the locking latch is firmly closed to avoid loosening during use.**



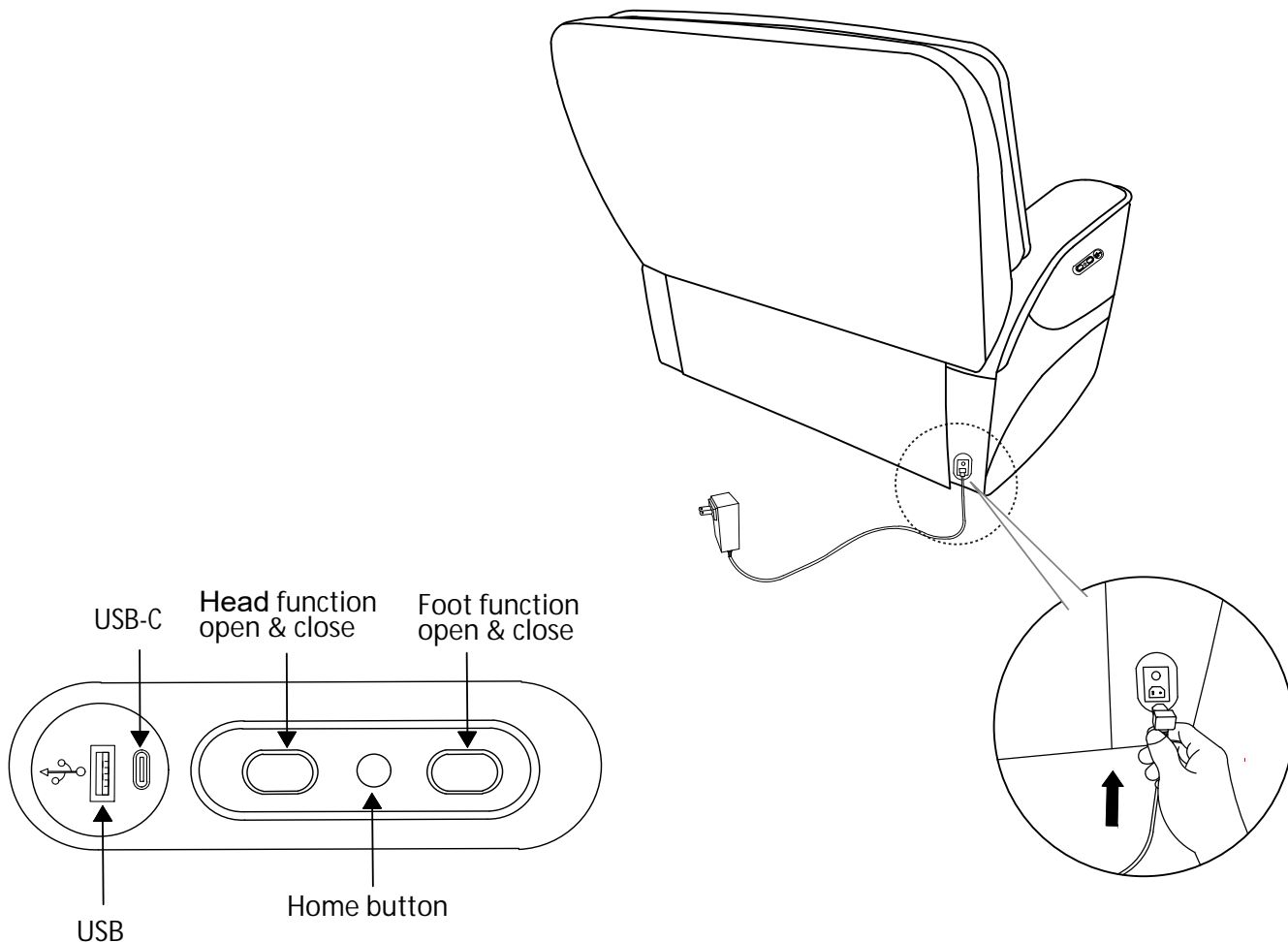
## Step 3

Attach the flap to the seat frame by pulling the flap down, and pressing the bottom under the seat base, connecting the velcro.



**Step 4**

Connect firmly one end of the wall plug transformer cord into the DC adapter located in the lower back corner of Recliner and plug the other end into a power outlet/wall socket and enjoy.



**Function Display**

