

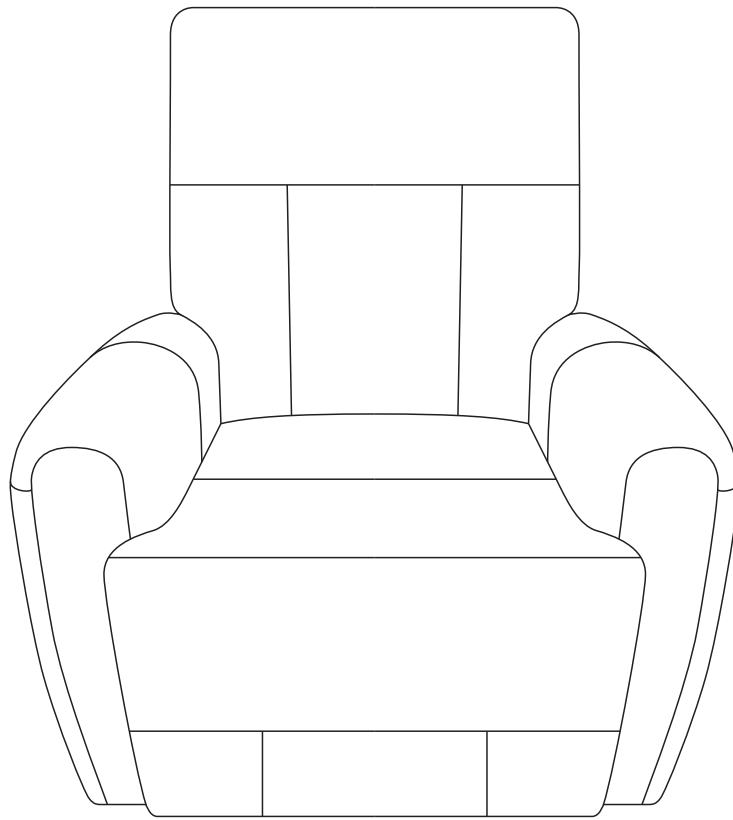


ASSEMBLY INSTRUCTIONS NATALIA RECLINER

BEFORE ASSEMBLY

Thank you for purchasing this quality product. This product has been designed for easy assembly and constructed for durability. Please take the time to read and follow the assembly instructions carefully.

MANUAL SWIVEL RECLINER



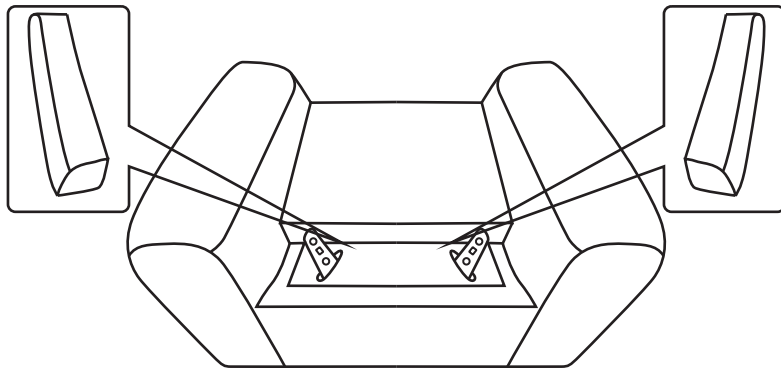
PART LIST

When unpacking, please be careful not to discard any parts with the packaging. Before continuing, please make sure you have the following parts:

NO	Description	Sketch	Qty
A	Body		1 PC
B	Back Cushion		1 PC
C	LAF Wing		1 PC
D	RAF Wing		1 PC

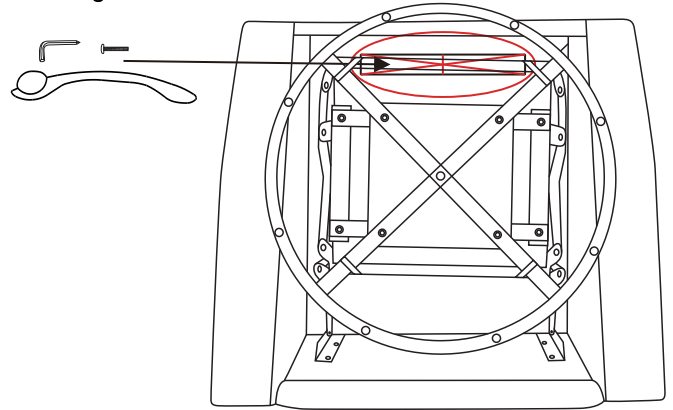
Step 1

Take out the LAF wing (C) and RAF wing(D) from the backside of the seat.



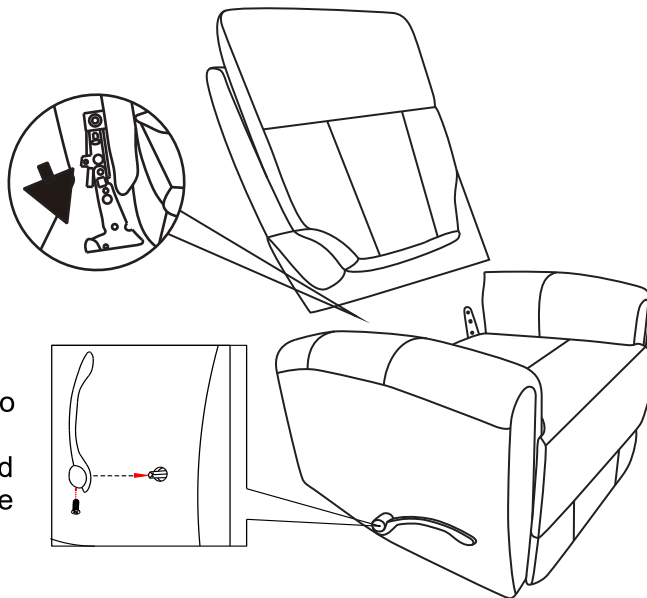
Cut and remove the plastic fastener, which locks the mechanism.

Detach the pack of release handle and screw which is tight to the KD lock of the seat.



Step 2

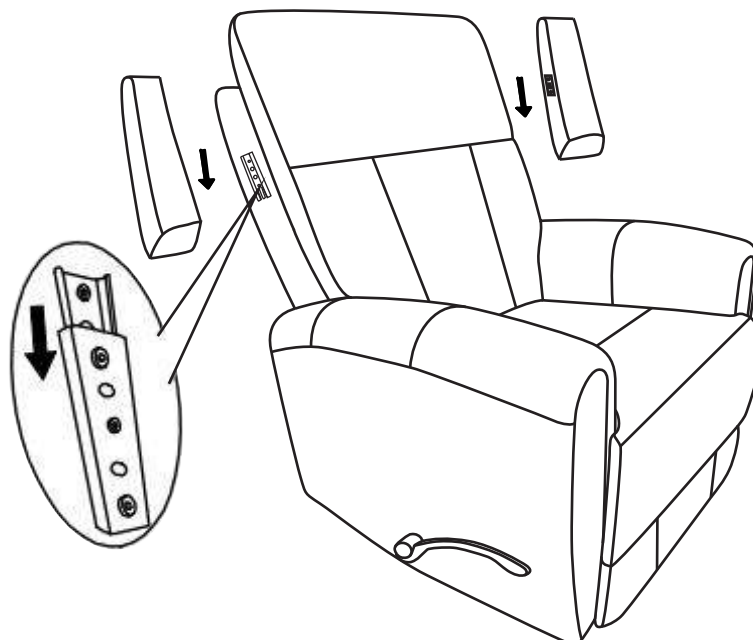
Install the Back cushion(B) into the Body (A) by positioning the female metal receiver brackets over the male metal posts. Ensure that the female metal receives brackets on each side line up with the seat metal posts. Push the backrest down until each side is locked into place and an audible "click" is heard.

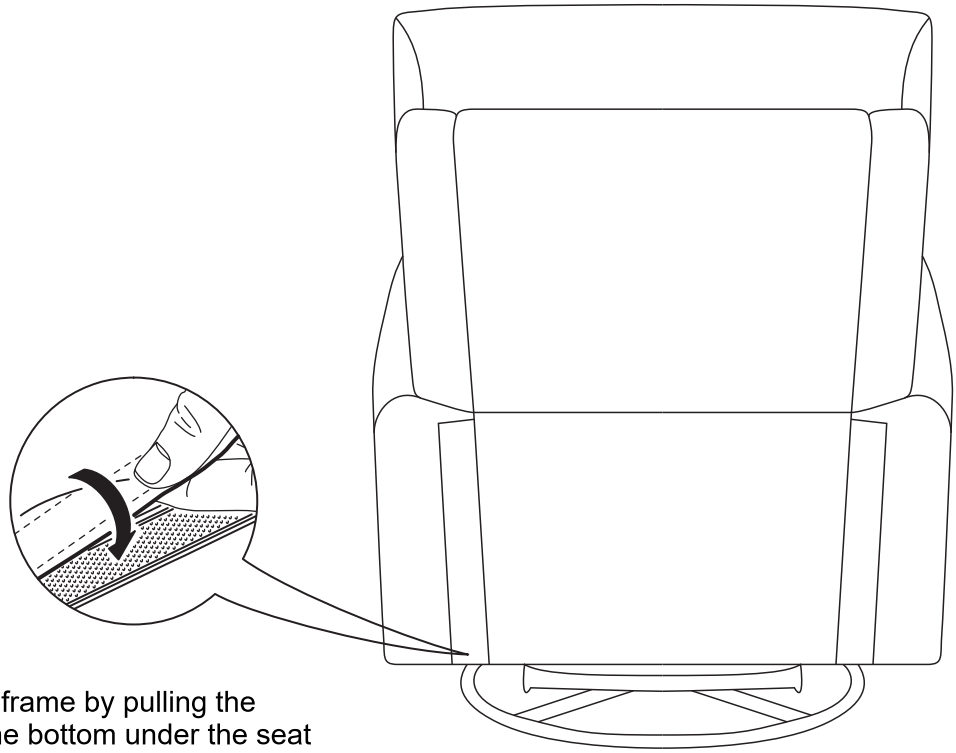


Place the handle bar onto the lock at the seatrest's side, insert the screw and tight the handle bar to the seater.

Step 3

Install the LAF Wing(C) and RAF Wing(D) by sliding wings in a downward motion along the side of the seatback to connect the brackets.





Attach the flap to the seat frame by pulling the flap down, and pressing the bottom under the seat base, connecting the velcro.

FUNCTION DISPLAY

