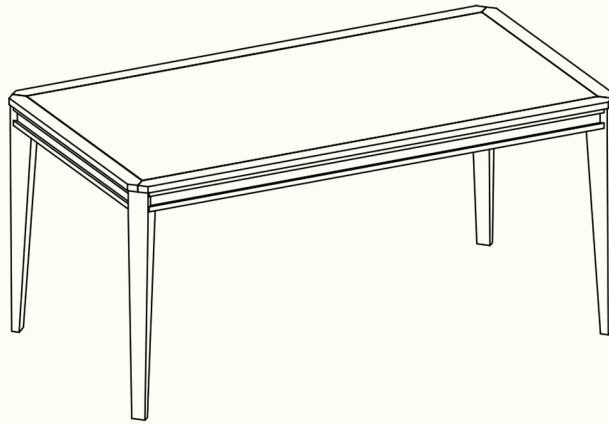




# Assembly Instructions

## Item No: BBRE-72CH Counter Height Table

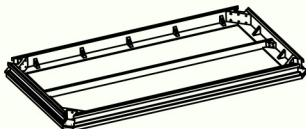




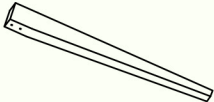



### BEFORE ASSEMBLY

Thank you for purchasing this quality product. This product has been designed for easy assembly and constructed for durability. Please take the time to read and follow the assembly instructions carefully.

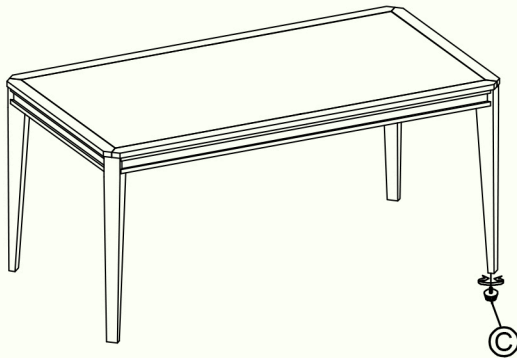
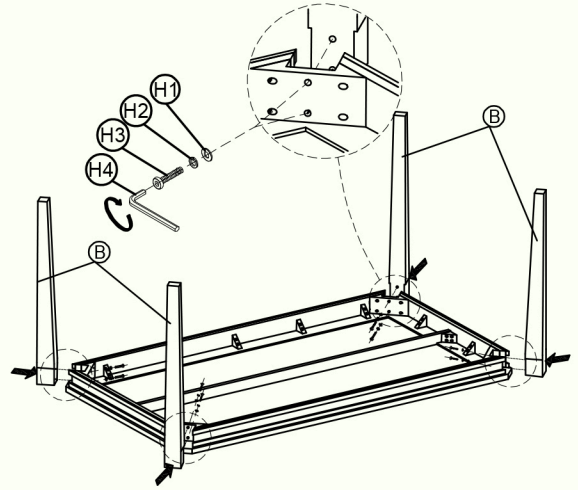
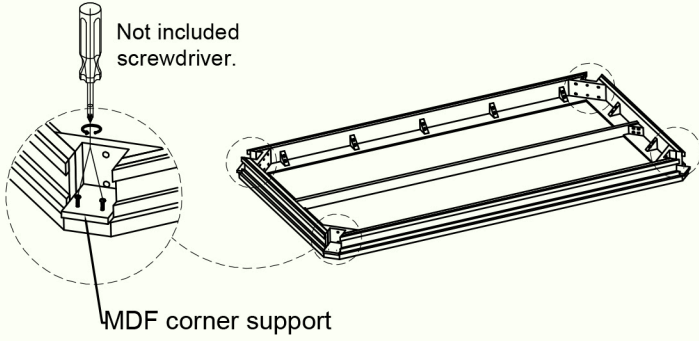
### Part List

When unpacking, please be careful not to discard any parts with the packaging. Before continuing, please make sure you have the following parts:

PARTS LIST		HARDWARE LIST			
<b>(A)</b>  TABLE TOP: 1PC					
	NO.	DRAWING	DES.		
		H1		Flat Washer Ø5/16" x 19mm	8Pcs
		H2		Spring Washer Ø5/16"	8Pcs
		H3		Bolt Ø5/16" x 2-3/8"	8Pcs
		H4		Allen key 4mm	1Pc
<b>(B)</b>  TABLE LEGS: 4PCS	<b>(C)</b>  LEVELER :4PCS				

See below in detail

1. Remove the MDF corner support from Table top (A)
2. Attach Table leg (B) to Table top (A) using Flat Washer (H1) , Spring Washer (H2) and Bolt (H3) , tighten with the Allen key (H4)



H1		Flat Washer Ø5/16" x 19mm	8Pcs
H2		Spring Washer Ø5/16"	8Pcs
H3		Bolt Ø5/16" x 2-3/8"	8Pcs
H4		Allen key 4mm	1Pc