

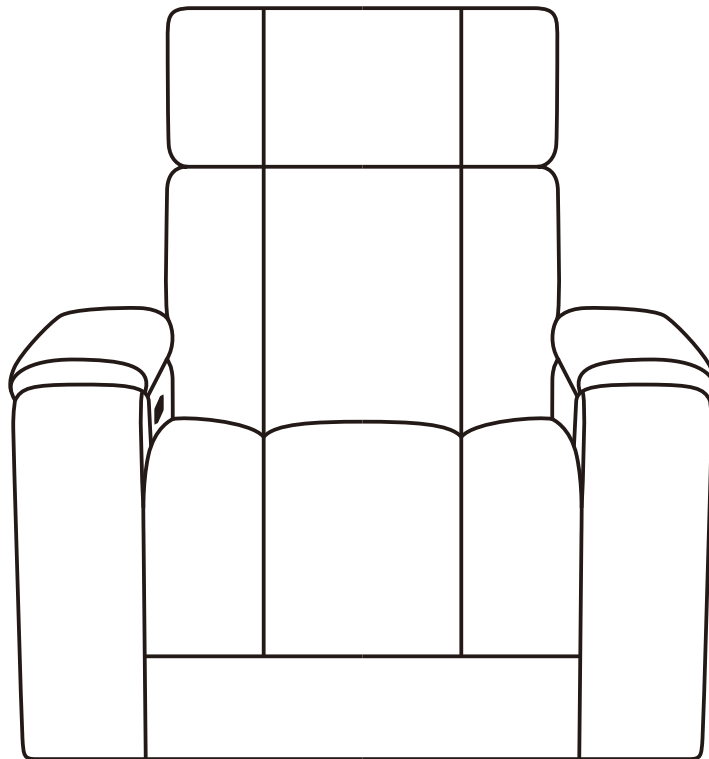
Assembly Instructions

Phoenix Recliner

BEFORE ASSEMBLY

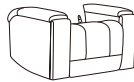


Thank you for purchasing this quality product. This product has been designed for easy assembly and constructed for durability. Please take the time to read and follow the assembly instructions carefully.

Power Zero Gravity Recliner P3



Part List

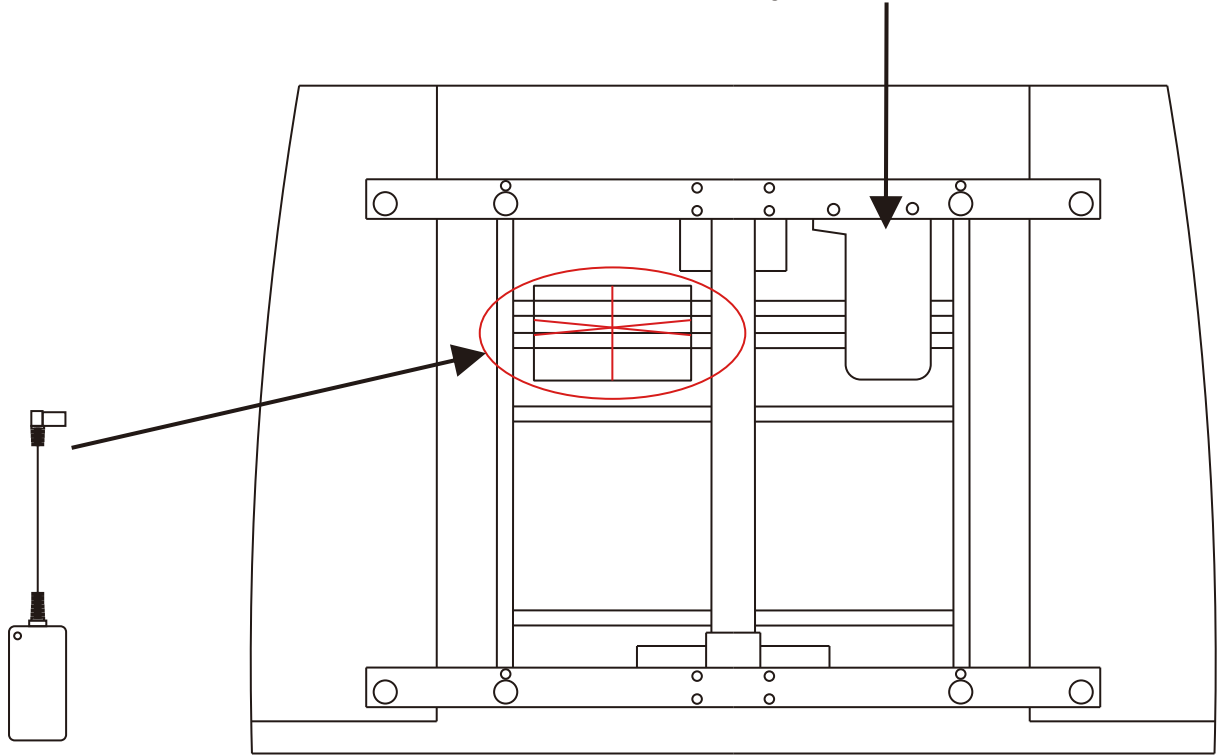
When unpacking, please be careful not to discard any parts with the packaging. Before continuing, please make sure you have the following parts:

NO	Description	Sketch	Qty
A	Body		1 PC
B	Back Cushion		1 PC
C	Plug transformer		1 PC

Step 1

1. Take out the Plug transformer from the plastic bag bottom of the seat.

Battery location

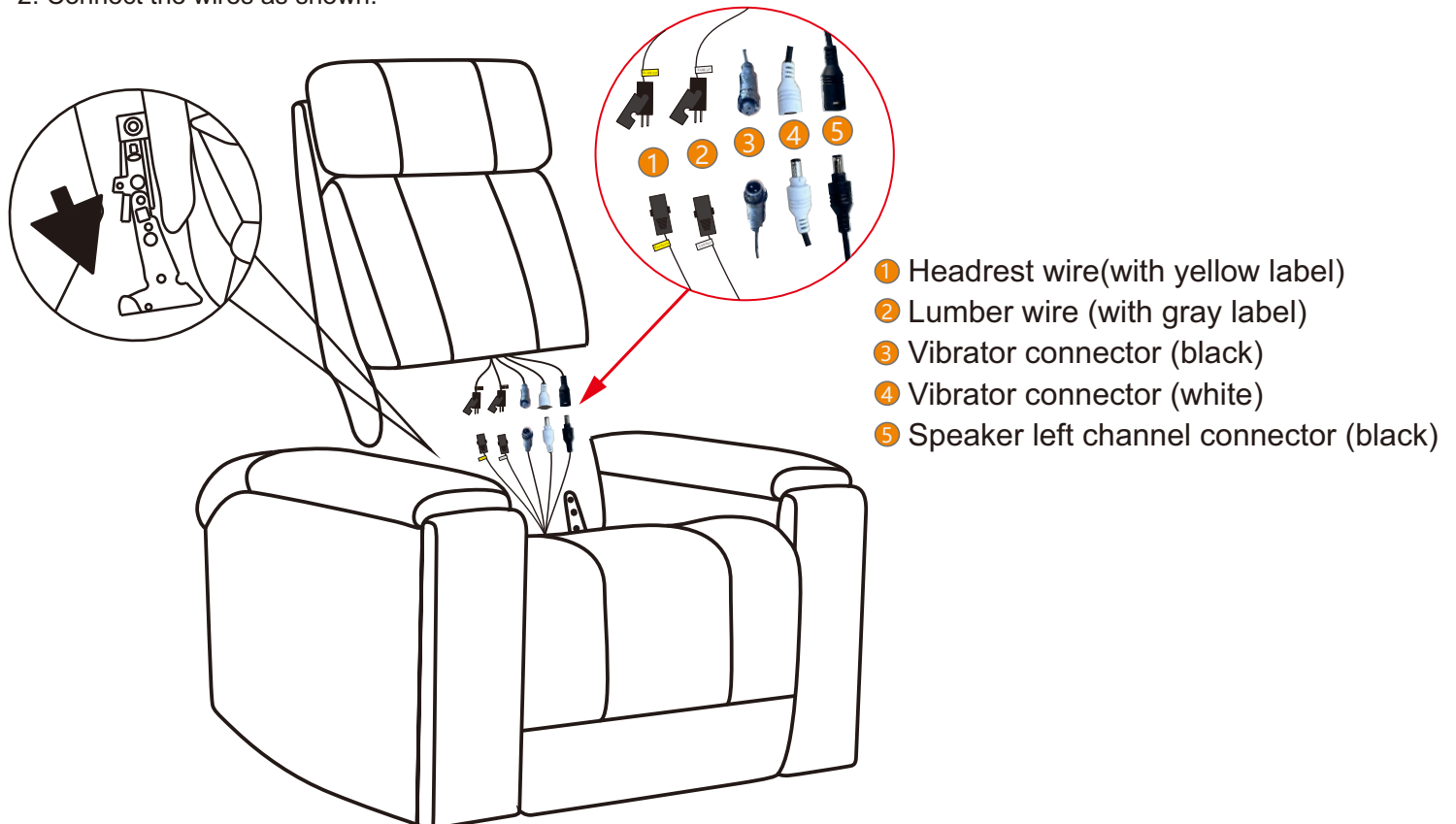


Plug transformer

Step 2

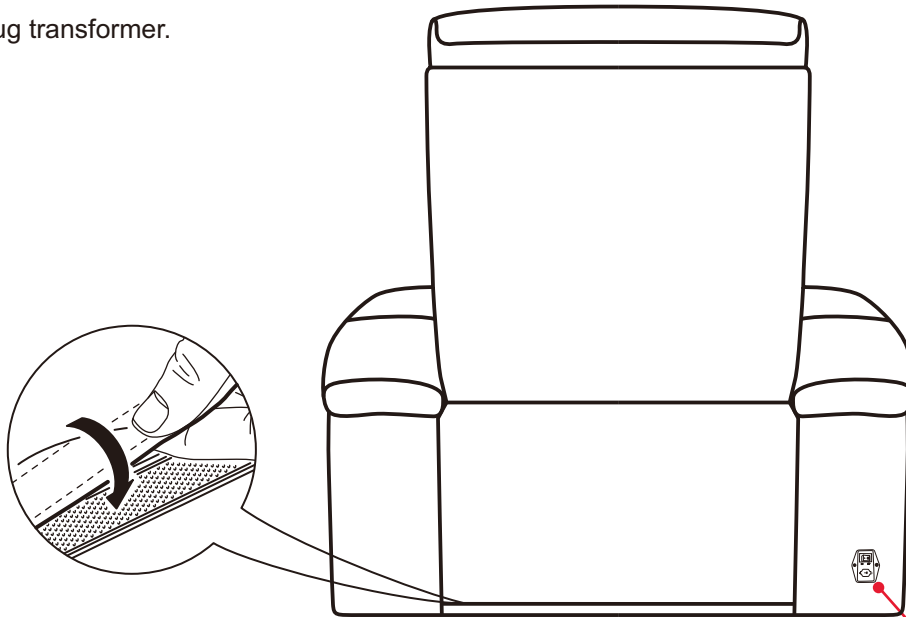
1. Install the Back cushion(B) into the Body (A) by positioning the female metal receiver brackets over the male metal posts. Ensure that the female metal receiver brackets on each side line up with the seat metal posts. Push the backrest down until each side is locked into place and an audible "click" is heard.

2. Connect the wires as shown.

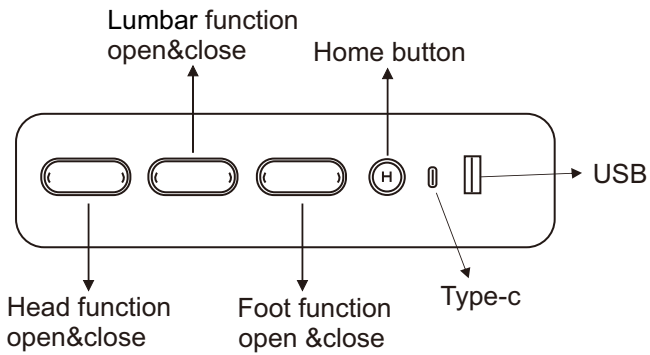
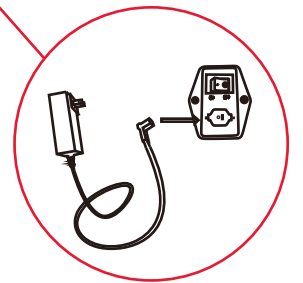
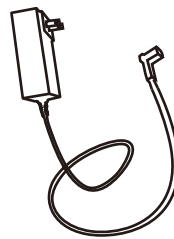


Step 3

1. Connect the Plug transformer.



2. Attach the flap to the seat frame by pulling the flap down, and pressing the bottom under the seat base, connecting the velcro.



Function Display

