



Assembly Instructions

Item No: BBRE-60 Dresser 7 Drawer



BEFORE ASSEMBLY

Thank you for purchasing this quality product. This product has been designed for easy assembly and constructed for durability. Please take time to read and follow assembly instructions carefully.

Part List

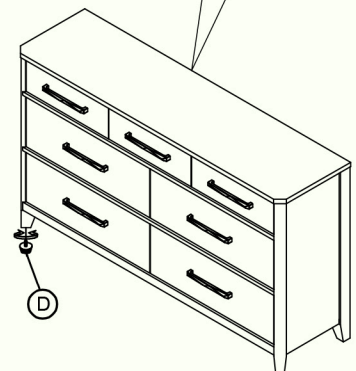
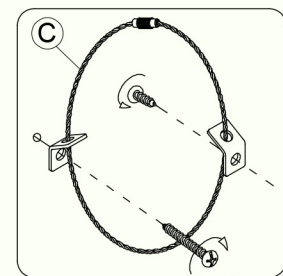
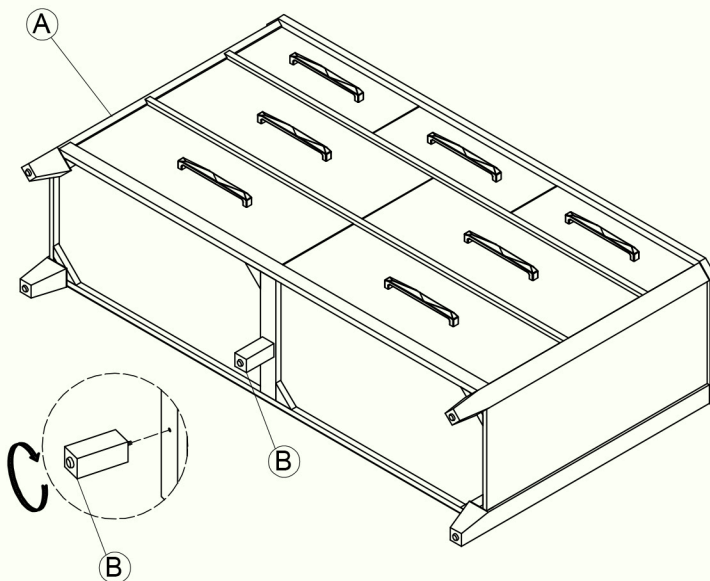
When unpacking, please be careful not to discard any parts with packaging. Before continuing, please make sure you have following parts:

PARTS LIST

DRESSER : 1PC	SUPPORT LEG : 1Pc	ANTI-TIP HARDWARE : 1SET	LEVELER : 5PCS

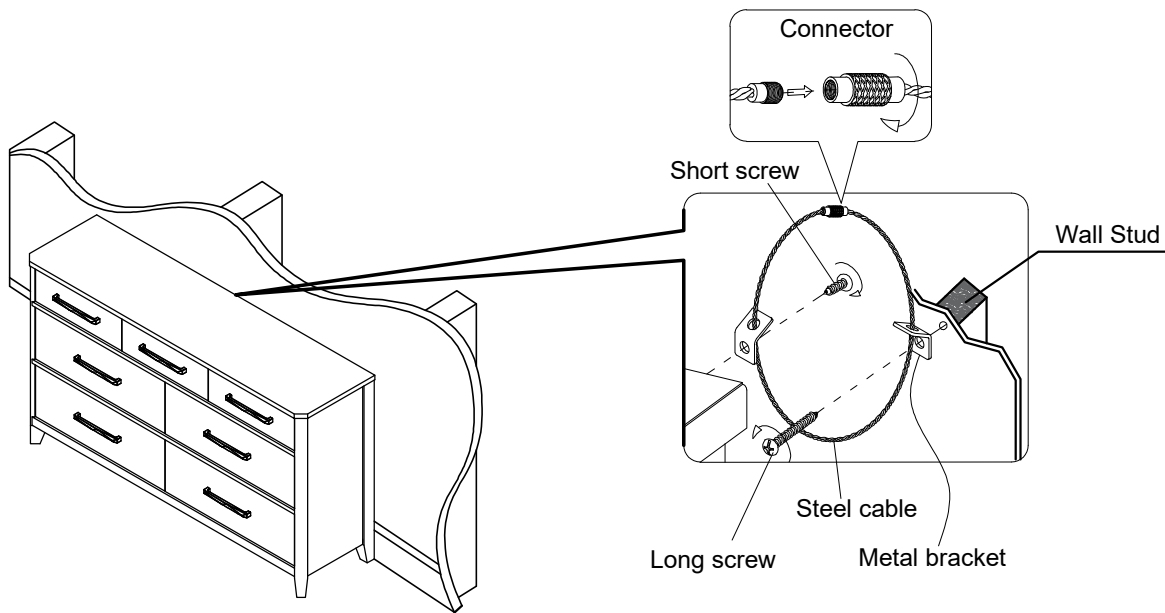
Step 1

Connect center Support Leg (B) to bottom of Dresser (A) as shown



Anti-Tip Hardware Installation Instructions

Notice: In homes where small children may be present, Parker House, recommends that steps be taken for certain furniture items to prevent or minimize risk of tip-over. This furniture is equipped with Tip-over Restraint Hardware for use to minimize this risk, if used. Please follow below installation steps. Parker House. recommends that parents and guardians periodically visit U.S. Consumer Product Safety Commission (CPSC) website at <http://www.cpsc.gov> and stay up to date on all issues related to children's product safety.



1. Temporarily move the furniture near its final location in your room next to a wall. Locate a wall stud behind your furniture and also mark the stud's location on the back of your furniture
2. Firmly attach one bracket to the stud approximately 2" below the top of the furniture with the 2 inch long Wood Screws provided. It may be necessary to drill $3/32$ dia, pilot holes for the screws.
3. Firmly attach the other bracket onto a solid, structural part on the back of the furniture using the 5/8 inch long Wood Screws. It may also be necessary to drill a pilot hole for this screw as well.
4. Move the furniture into its final position, taking care to line up the wall bracket with the furniture bracket. Thread the strap through the bracket as shown in the illustration. Tighten strap until snug but do not over tighten.

Caution: Parker House. assumes no liability for improper installation or excessive loads placed on screws, brackets or straps. Failure to detach this restraint before moving furniture may result in personal injury and property damage.

Warning: This tip-over restraint is not to be a substitute for proper adult supervision. Do not allow children to climb on furniture. Items left on top of TV and furniture, such as toys, remote controls and treats might tempt young children to climb. Push TV as far back as possible from front of its stand. Place electrical cords out of a child's reach, and teach children not to play with cords.