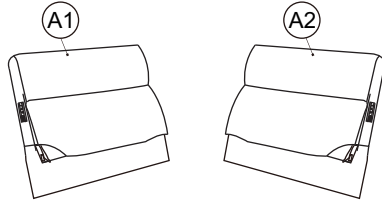
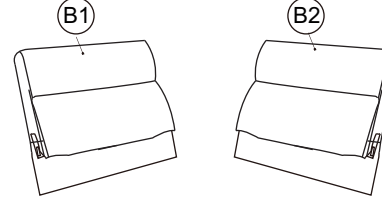
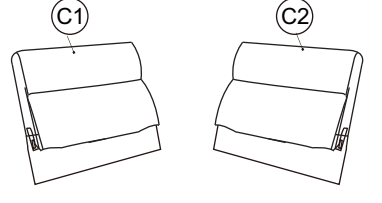
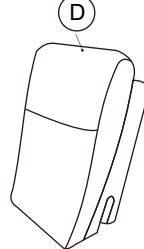
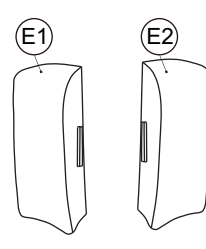
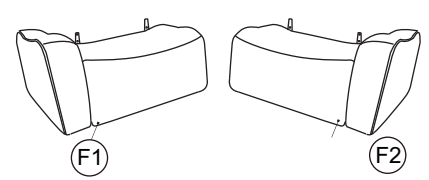
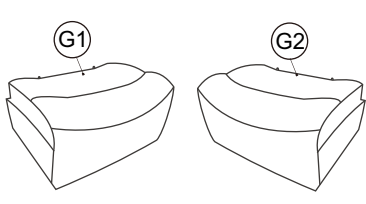
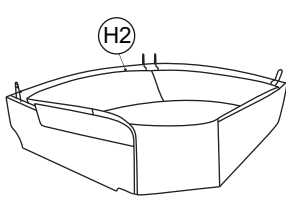
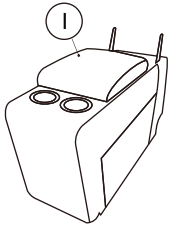
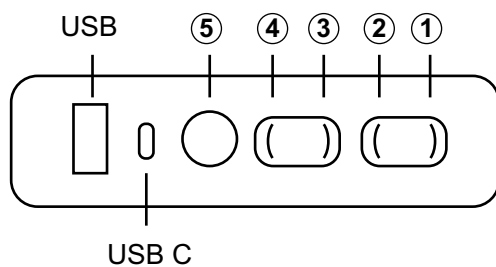
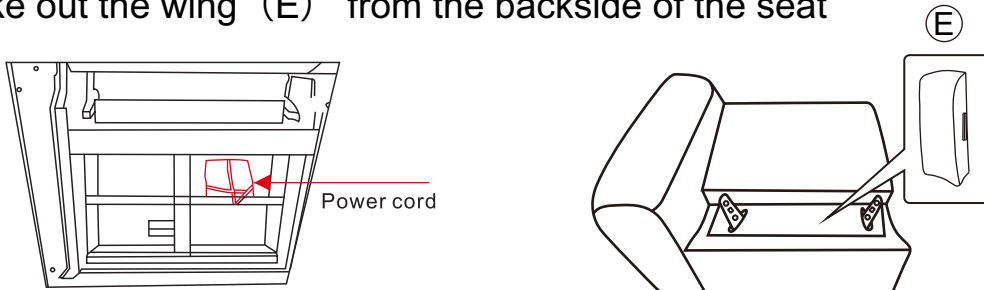


CALGARY SECTIONAL ASSEMBLY INSTRUCTIONS

<p>Ax2</p> 	<p>Bx2</p> 	<p>Cx2</p> 
<p>Dx1</p> 	<p>Ex2</p> 	<p>Fx2</p> 
<p>Gx2</p> 	<p>Hx1</p> 	<p>Ix1</p> 

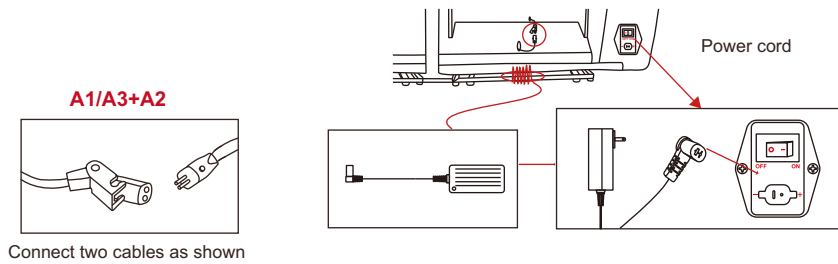
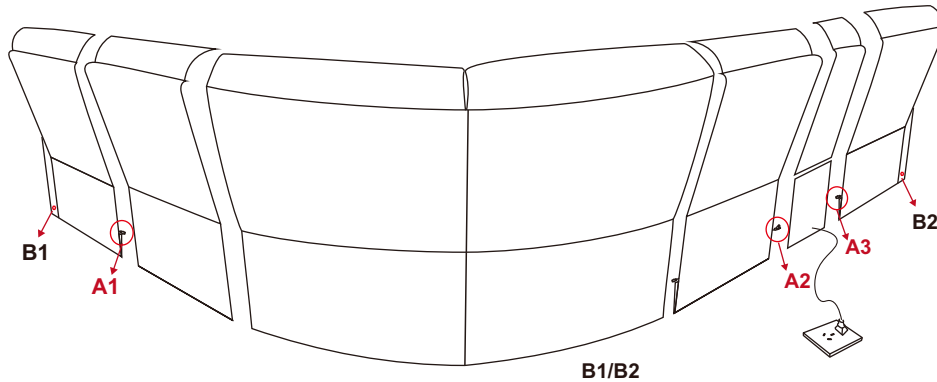
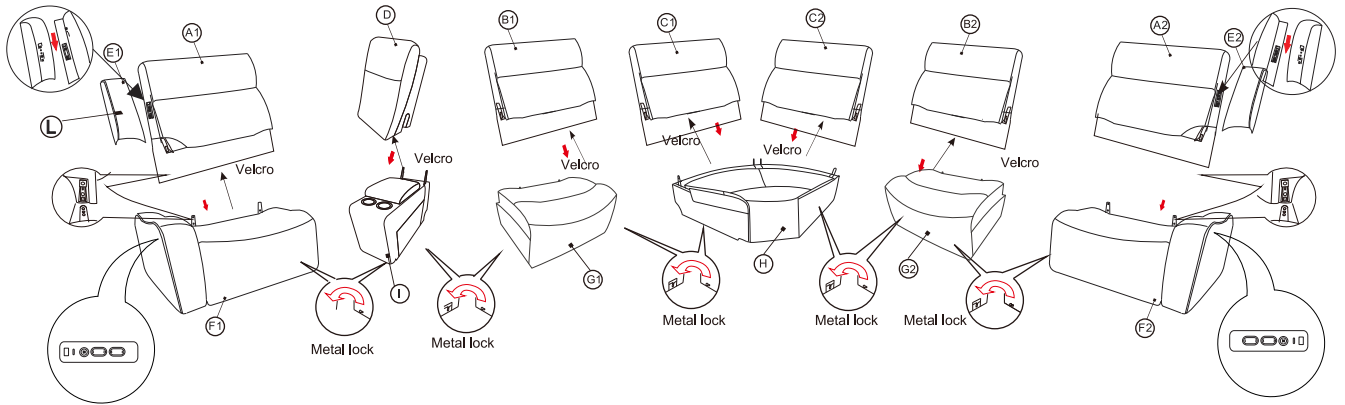
Untie the power cord before removing the product from the carton.
Take out the wing (E) from the backside of the seat



1. Press button **1** Leg Rest Open
2. Press button **2** Leg Rest Close
3. Press button **3** Headrest Forward
4. Press button **4** Headrest Back
5. Home button **5** All close

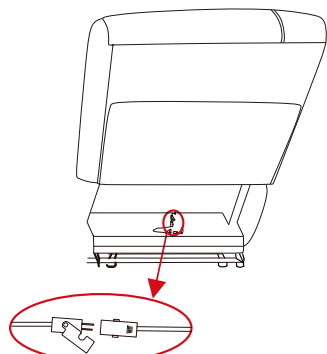
CALGARY SECTIONAL ASSEMBLY INSTRUCTIONS

Connecting parts.



Connect two cables as shown

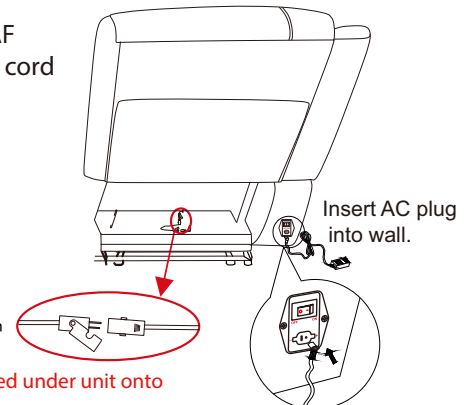
For the Power Armless
Recliner
Connecting power cord



Connect two cables as shown

*Power cord is packed and tied under unit onto mechanism in red bag.

For the LAF and RAF
Connecting power cord



Connect two cables as shown

*Power cord is packed and tied under unit onto mechanism in red bag.

Insert power cord into port behind unit.