



Assembly Instructions

Item No: DBRE - 2226 Upholstered Counter Chair

BEFORE ASSEMBLY

Thank you for purchasing this quality product. This product has been designed for easy assembly and constructed for durability. Please take the time to read and follow the assembly instructions carefully.

Part List

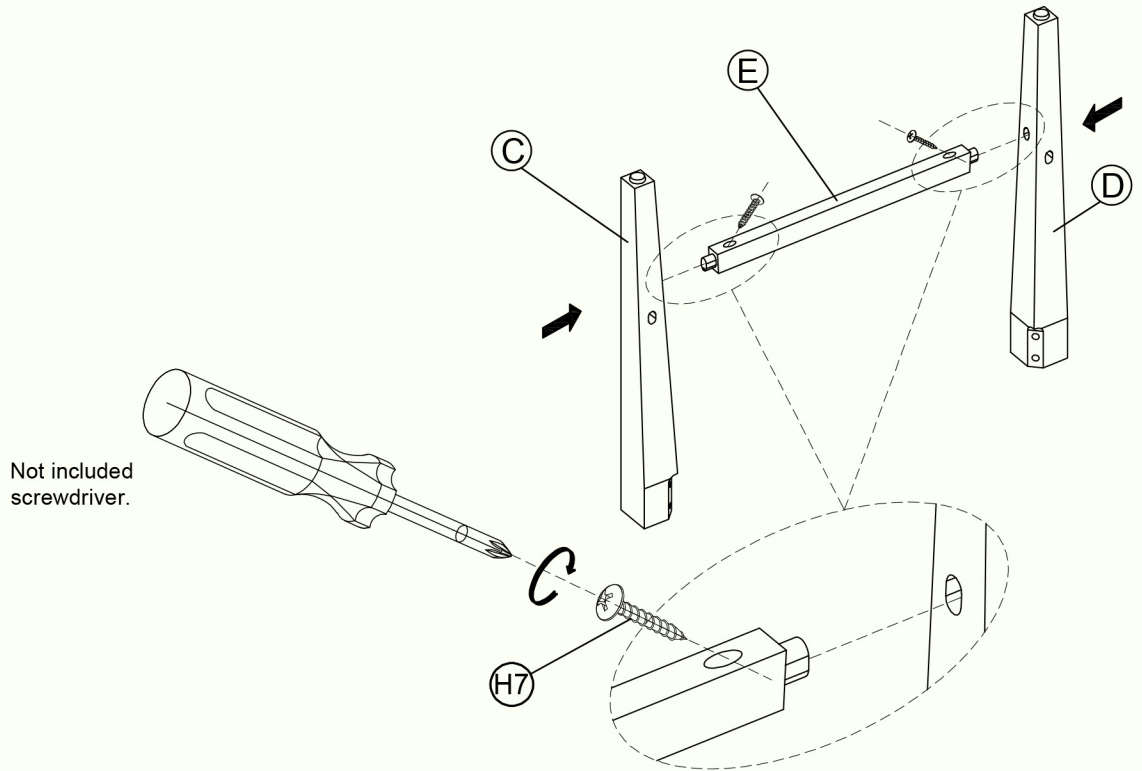
When unpacking, please be careful not to discard any parts with the packaging. Before continuing, please make sure you have the following parts:


PARTS LIST

PARTS LIST		HARDWARE LIST					
NO.	DRAWING	DES.					
(A)		(B)		H1		Flat Washer Ø5/16" x 19mm	10Pcs
CHAIR BACK: 1PC	SEAT FRAME: 1PC	H2		Spring Washer Ø5/16"	10Pcs		
(C)		(D)		H3		Bolt Ø5/16" x 3-1/4"	4Pcs
FRONT LEG (LEFT): 1PC	FRONT LEG (RIGHT): 1PC	H4		Bolt Ø5/16" x 2-3/8"	4Pcs		
(E)		(F)		H5		Bolt Ø5/16" x 1-1/2"	2Pcs
FRONT STRETCHER : 1PC	SIDE STRETCHER LEFT/RIGHT : 2PCS	H6		Allen key 4mm	1Pc		
(G)		H7		Wood Screw #8 x 2"	8Pcs		
LEVELER : 4PCS							

Step 1

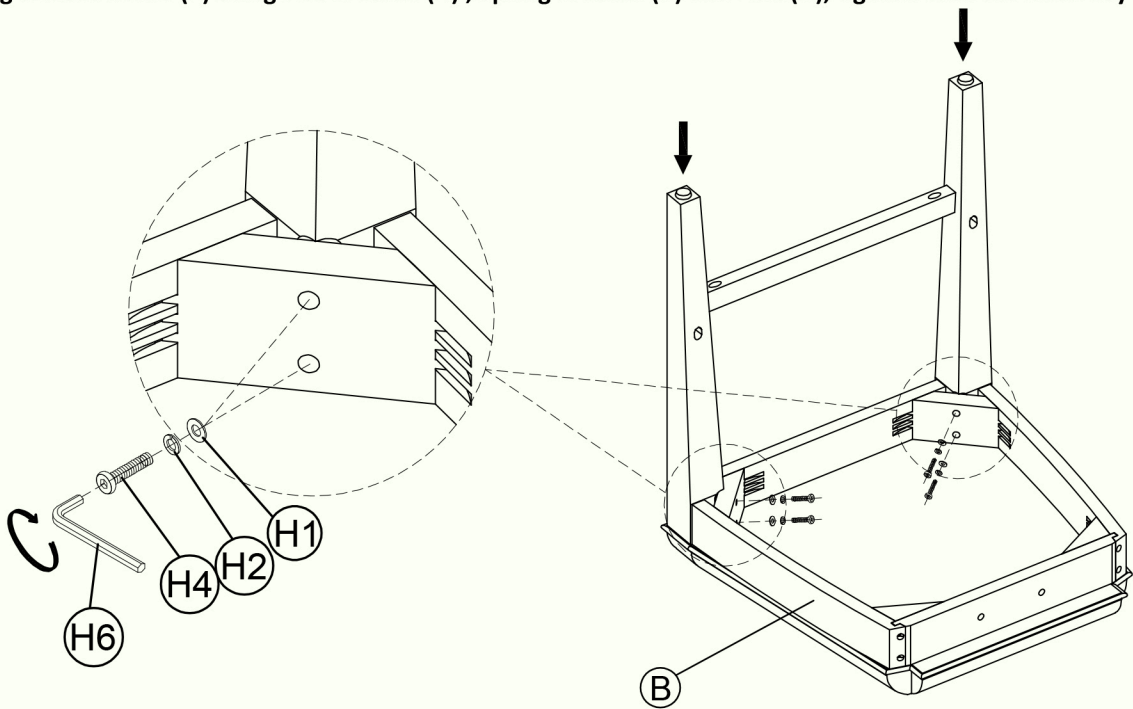
Attach Front stretcher (5E to Front leg -left (C) and Front leg -right (D), using Wood screw (GH7 tighten with the Screwdriver (not included)





H7		Wood Screw #8 x 2"	2Pcs
----	---	--------------------	------

Step 2

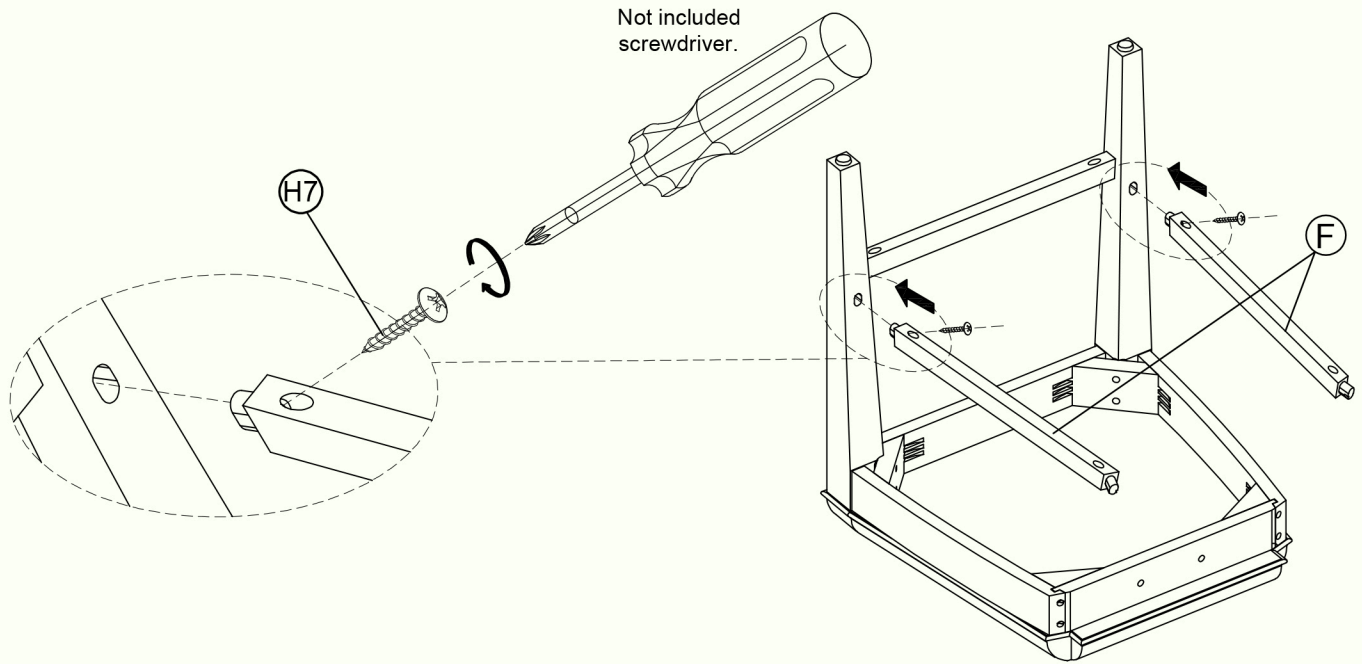
Attach Front leg to Seat frame (2) using Flat Washer (A) , Spring Washer (B) and Bolt (D), tighten with the Allen key (F)




H1		Flat Washer Ø5/16" x 19mm	4Pcs
H2		Spring Washer Ø5/16"	4Pcs
H4		Bolt Ø5/16" x 2-3/8"	4Pcs
H6		Allen key 4mm	1Pc

Step 3

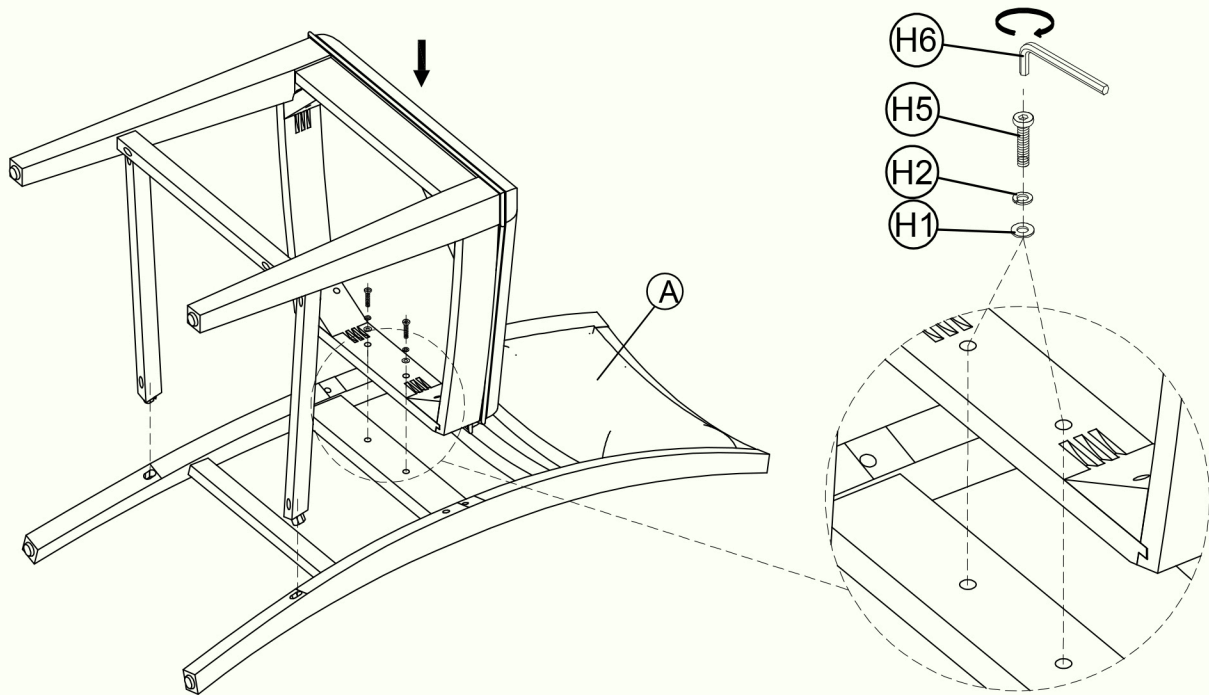
Attach Side stretcher left (F) to Front leg -left (C) and Attach Side stretcher right (F) to Front leg -right (D), using Wood screw (H7), tighten with the Screwdriver (not included)



H7		Wood Screw #8 x 2"	2Pcs
----	---	--------------------	------

Step 4

Attach Chair back (A) to Seat frame (B) using Flat Washer (H1), Spring Washer (H2) and Bolt (H5), tighten with the Allen key (H6)

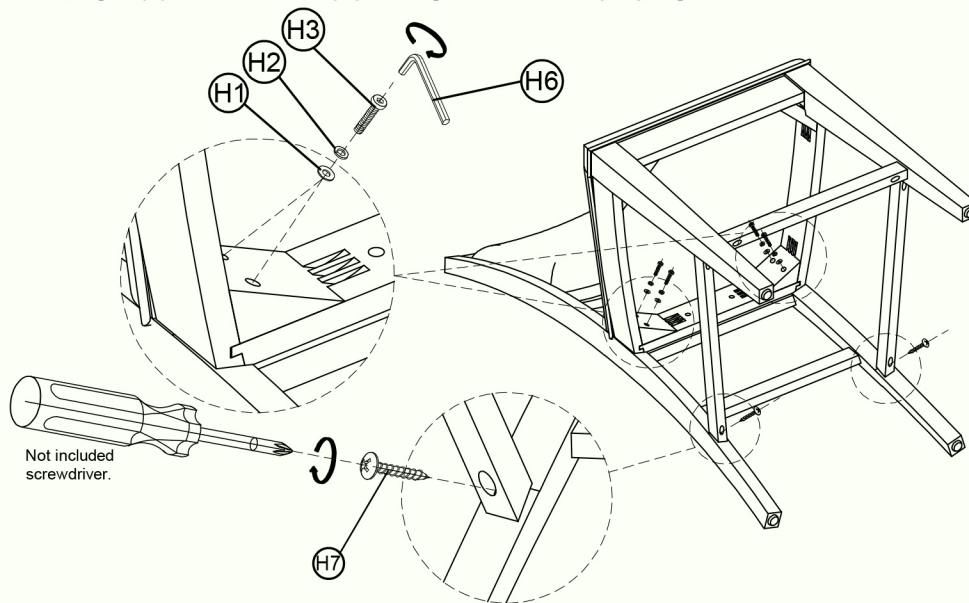







H1		Flat Washer Ø5/16" x 19mm	2Pcs
H2		Spring Washer Ø5/16"	2Pcs
H5		Bolt Ø5/16" x 1-1/2"	2Pcs
H6		Allen key 4mm	1Pc

Step 5

Attach Chair back (A) to Seat frame (B) using Flat Washer (H1) , Spring Washer (H2) and Bolt (H3), tighten with the Allen key (H6)

Attach Side stretcher left/right (F) to Chair back (A) , using Wood screw (H7), tighten with the Screwdriver (not included)



H1		Flat Washer Ø5/16" x 19mm	4Pcs
H2		Spring Washer Ø5/16"	4Pcs
H3		Bolt Ø5/16" x 3-1/4"	4Pcs
H6		Allen key 4mm	1Pc
H7		Wood Screw #8 x 2"	2Pcs

Step 6

Complete the chair

