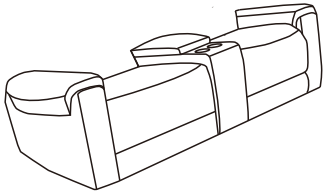


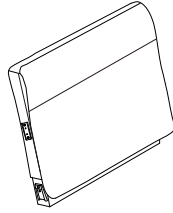
CALGARY LOVESEAT

ASSEMBLY INSTRUCTIONS

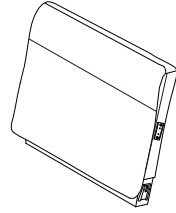
AX 1



BX 1



CX 1



DX 1



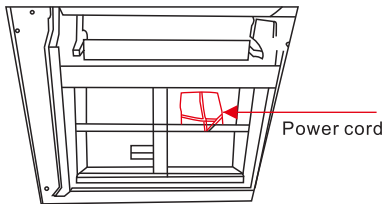
EX 1



FX 1

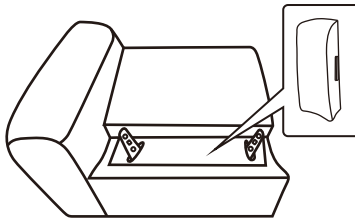


①

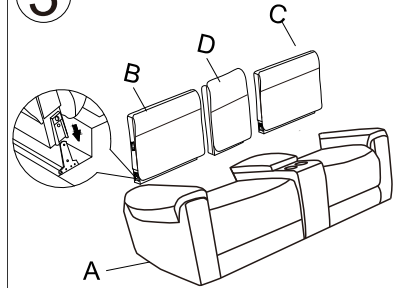


Untie the power cord.

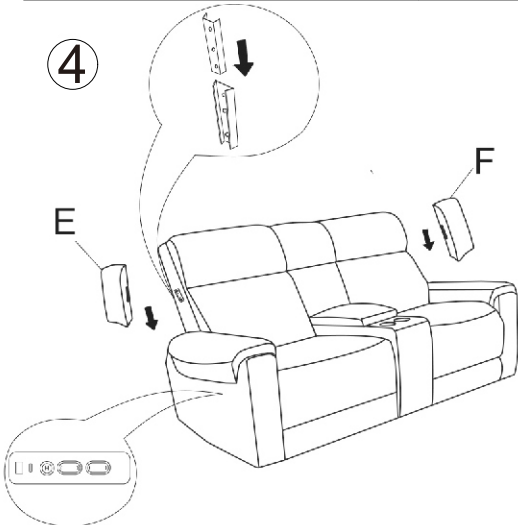
②



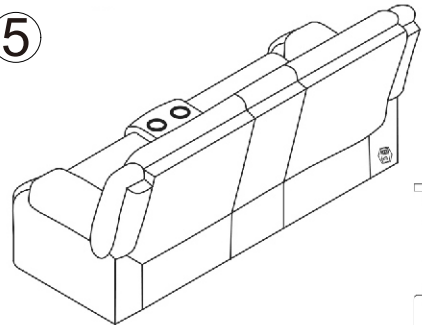
③



④

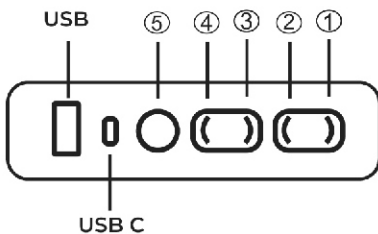


⑤



Wall Plug Transformer

Connect wall plug transformer to transformer switch.
wall transformer to Transformer Power Switch



1. Press button ① Leg Rest Open
2. Press button ② Leg Rest Close
3. Press button ③ Headrest Forward
4. Press button ④ Headrest Back
5. Home button ⑤ All close

