



# Assembly Instructions

**Item No: BBRE-KHB-PNL King 6/6 Panel Uph Hdbd**  
**BBRE-KFB-PNL King 6/6 Platform Ftbd**  
**BBRE-QKR-PNL Queen/King Platform**  
**Rails w/ctr support & Legs**

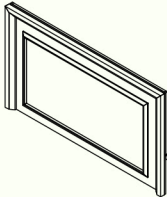
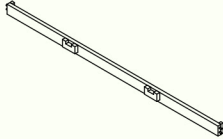

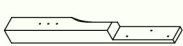
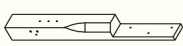




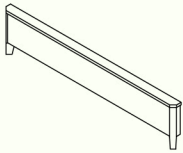
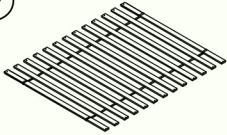


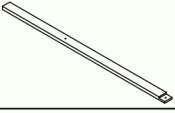


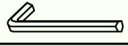

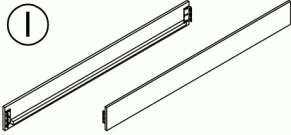



## BEFORE ASSEMBLY

Thank you for purchasing this quality product. This product has been designed for easy assembly and constructed for durability. Please take time to read and follow assembly instructions carefully.

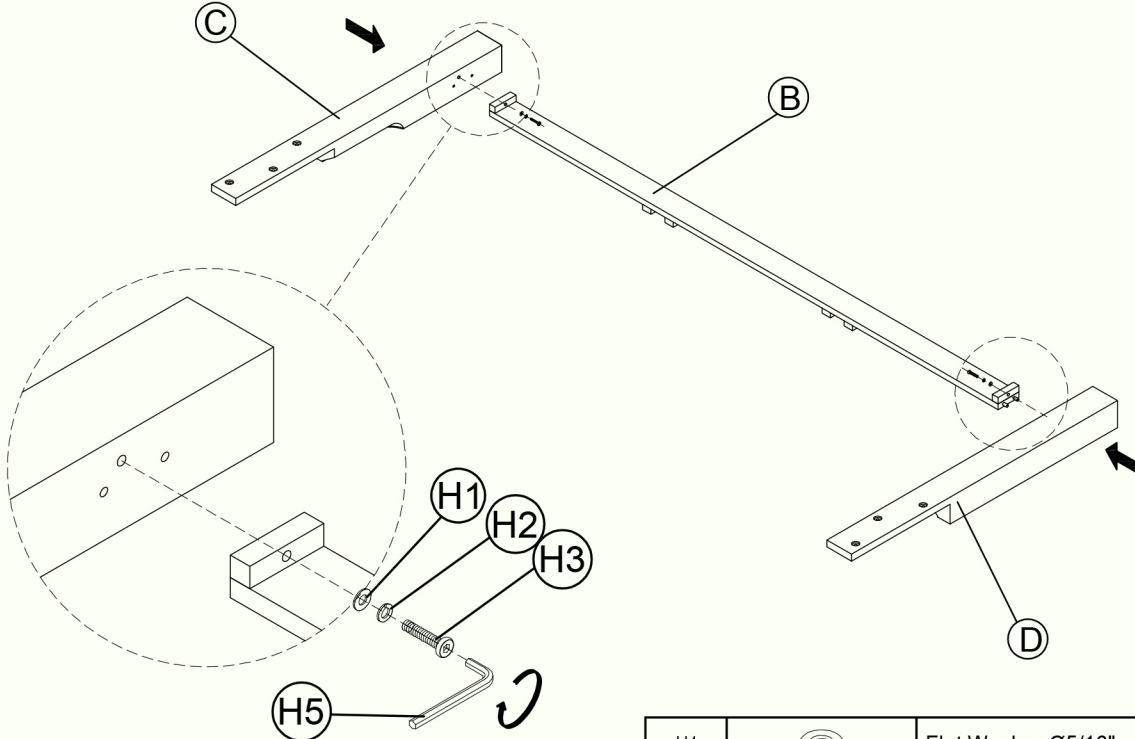
## Part List

When unpacking, please be careful not to discard any parts with packaging. Before continuing, please make sure you have following parts:

PARTS LIST OF BBRE-KHB-PNL		HARDWARE LIST OF BBRE-KHB-PNL			
<b>(A)</b> 	<b>(B)</b> 	NO.	DRAWING	DES.	
Headboard Panel : 1Pc	Headboard Stretcher : 1Pc	H1		Flat Washer Ø5/16" x 19mm	14Pcs
<b>(C)</b> 	<b>(D)</b> 	H2		Spring Washer Ø5/16"	14Pcs
Headboard Leg (Left) : 1Pc	Headboard Leg (Right) : 1Pc	H3		Bolt Ø5/16" x1-3/4"	8Pcs
		H4		Bolt Ø5/16" x1-1/4"	6Pcs
		H5		Allen key 4mm	1Pc
PARTS LIST OF BBRE-KFB-PNL		HARDWARE LIST OF BBRE-KFB-PNL			
<b>(E)</b> 	<b>(F)</b> 	NO.	DRAWING	DES.	
Footboard Panel: 1Pc	Slats : 1Set	H6		Flat Washer Ø5/16" x 19mm	12Pcs
<b>(G)</b> 	<b>(H)</b> 	H7		Spring Washer Ø5/16"	12Pcs
Support Legs : 6Pcs	Center support Slats : 4Pcs	H8		Bolt Ø5/16" x1-1/4"	12Pcs
		H9		Allen key 4mm	1Pc
		H10		Wood Screw #8 x 1-3/16"	26Pcs
PARTS LIST OF BBRE-QKR-PNL					
<b>(I)</b> 	<b>(K)</b> 				
Side Rails : 2Pcs	Leveler : 6Pcs				

## Step 1

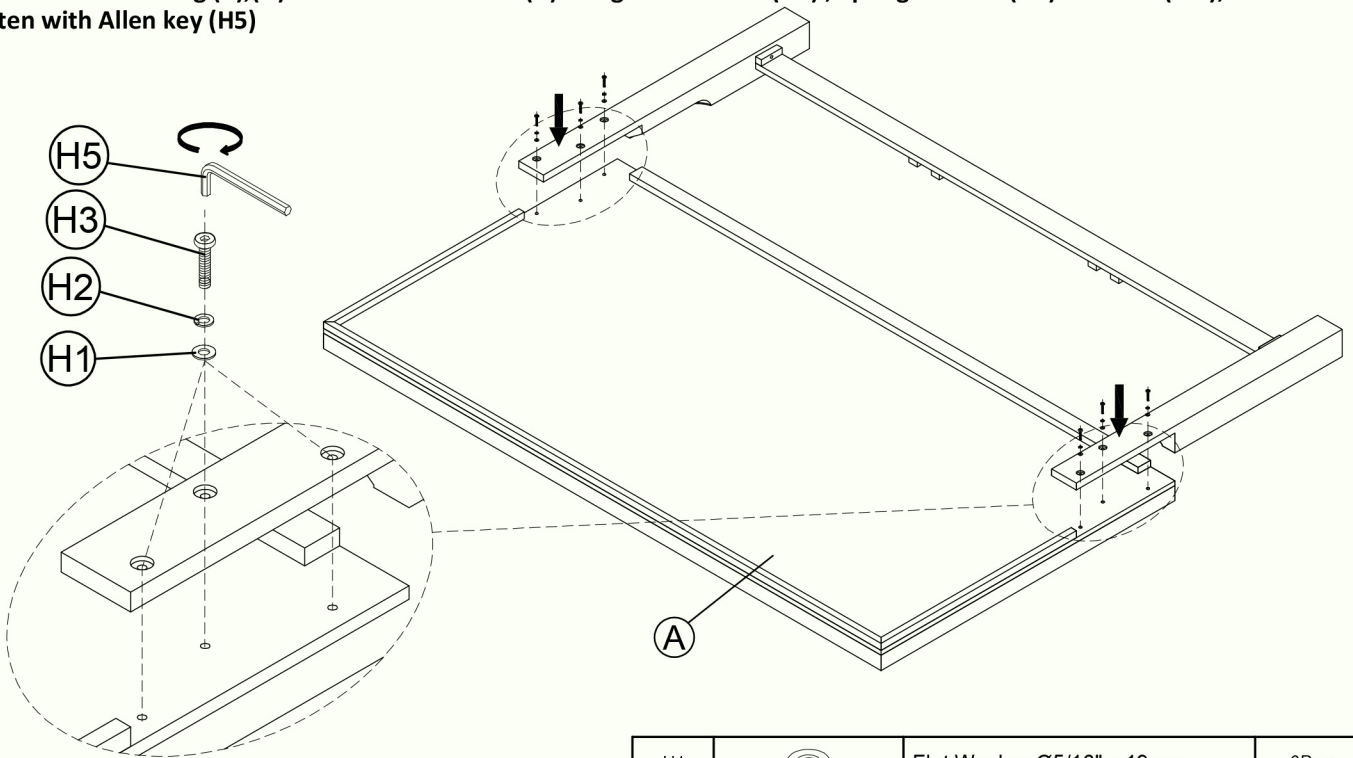
Attach Stretcher (B) to Headboard Leg (C),(D) using Flat Washer (H1) , Spring Washer (H2) and Bolt (H3) , tighten with Allen key (H5)



H1		Flat Washer Ø5/16" x 19mm	2Pcs
H2		Spring Washer Ø5/16"	2Pcs
H3		Bolt Ø5/16" x1-3/4"	2Pcs
H5		Allen key 4mm	1Pc

## Step 2

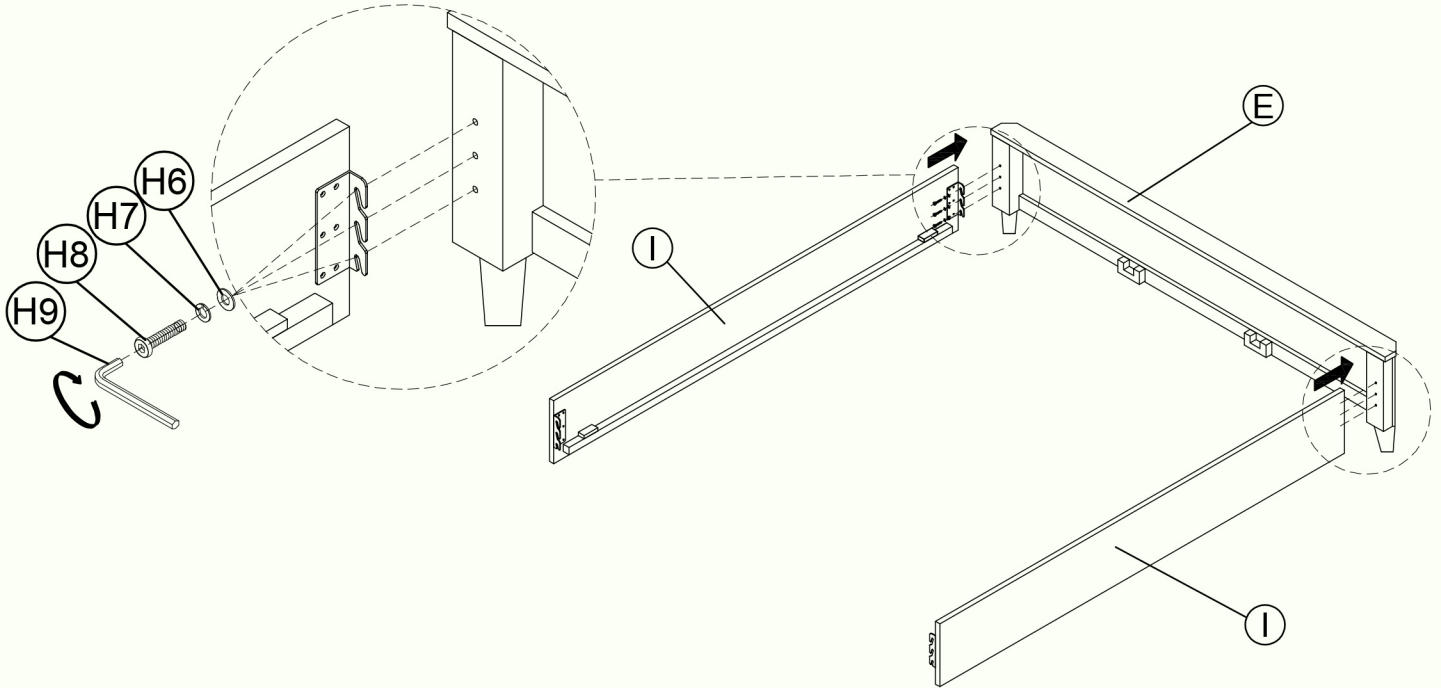
Attach Headboard Leg (C),(D) to Headboard Panel (A) using Flat Washer (H1) , Spring Washer (H2) and Bolt (H3) , tighten with Allen key (H5)



H1		Flat Washer Ø5/16" x 19mm	6Pcs
H2		Spring Washer Ø5/16"	6Pcs
H3		Bolt Ø5/16" x1-3/4"	6Pcs
H5		Allen key 4mm	1Pc

### Step 3

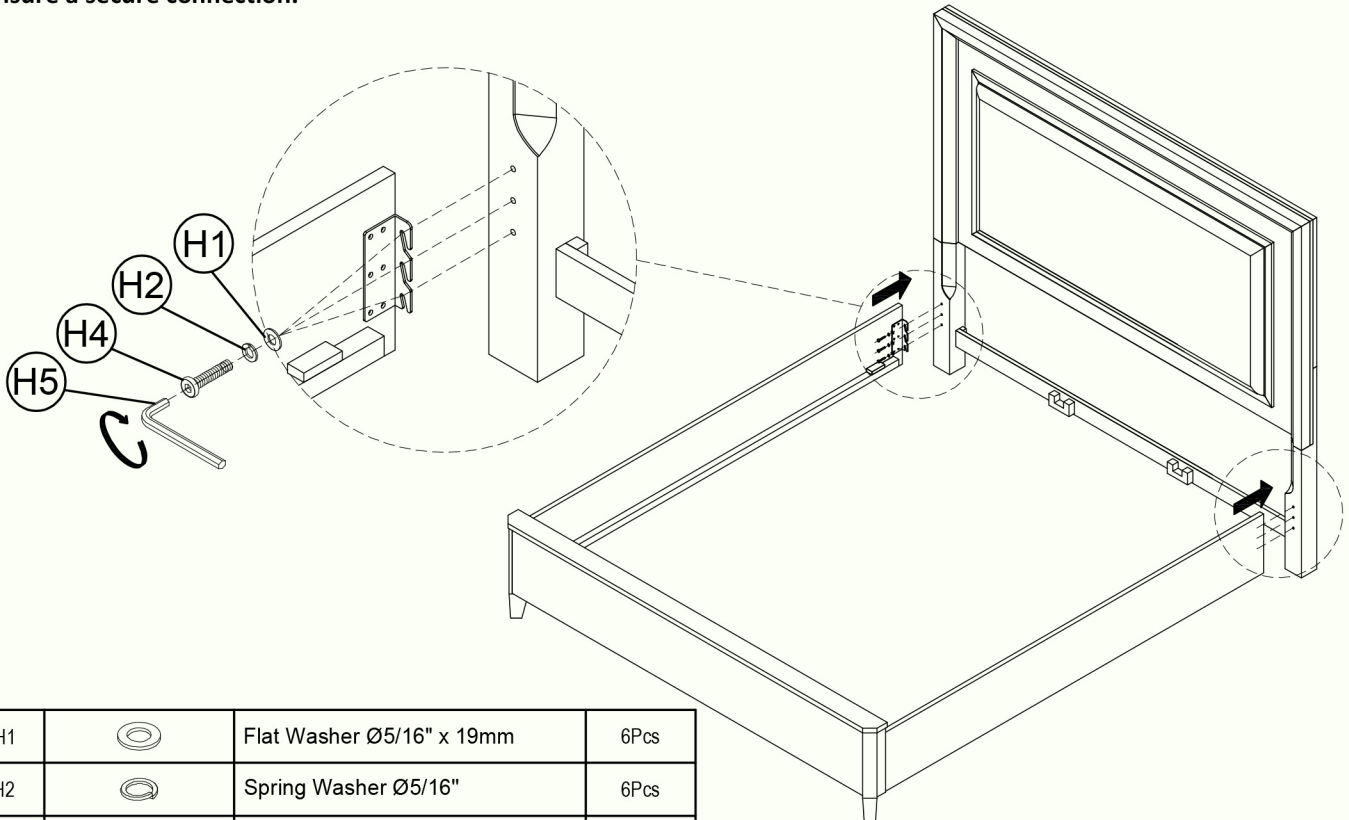
Hang Side Rails corner brackets on pre-installed loose bolts at Footboard Panel. Then tighten bolts with Allen key (H9) to ensure a secure connection.



H6		Flat Washer Ø5/16" x 19mm	6Pcs
H7		Spring Washer Ø5/16"	6Pcs
H8		Bolt Ø5/16" x1-1/4"	6Pcs
H9		Allen key 4mm	1Pc

### Step 4

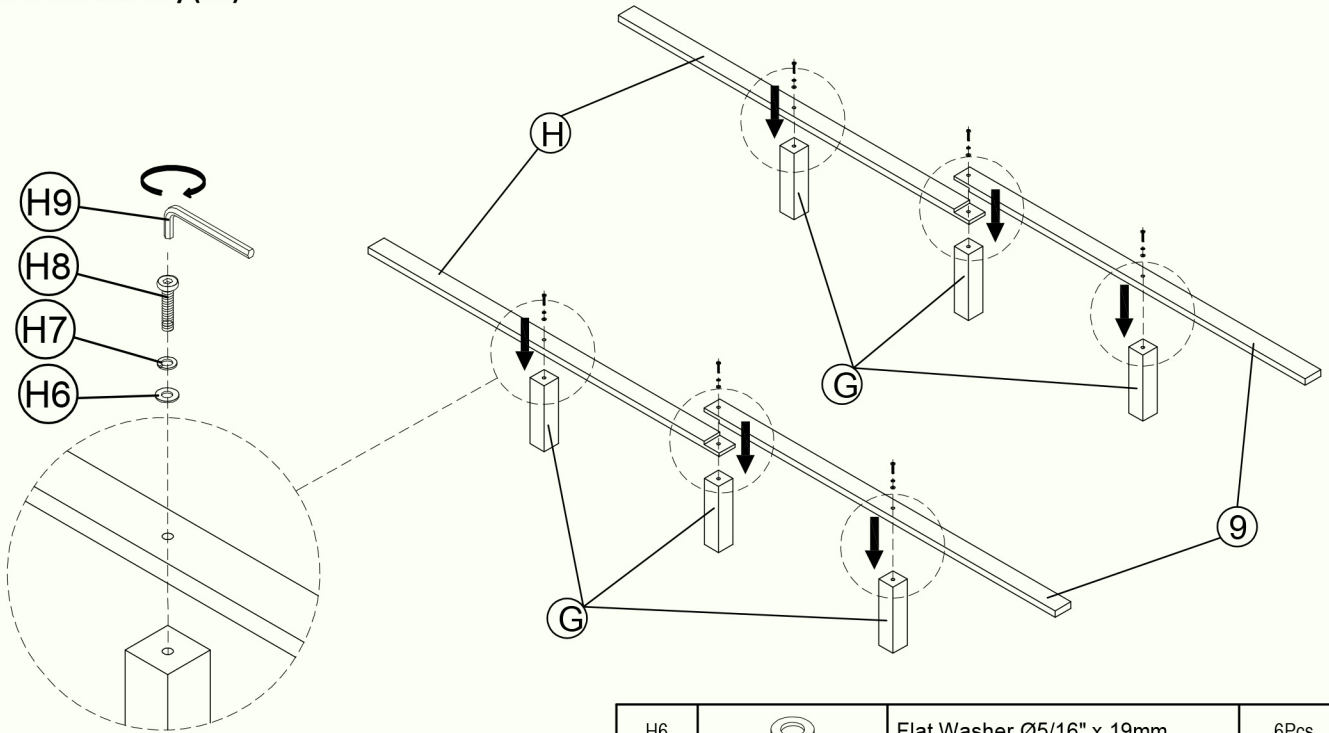
Hang Side Rails corner brackets on pre-installed loose bolts at Headboard Legs. Then tighten bolts with Allen key (H5) to ensure a secure connection.





H1		Flat Washer Ø5/16" x 19mm	6Pcs
H2		Spring Washer Ø5/16"	6Pcs
H4		Bolt Ø5/16" x1-1/4"	6Pcs
H5		Allen key 4mm	1Pc

## Step 5

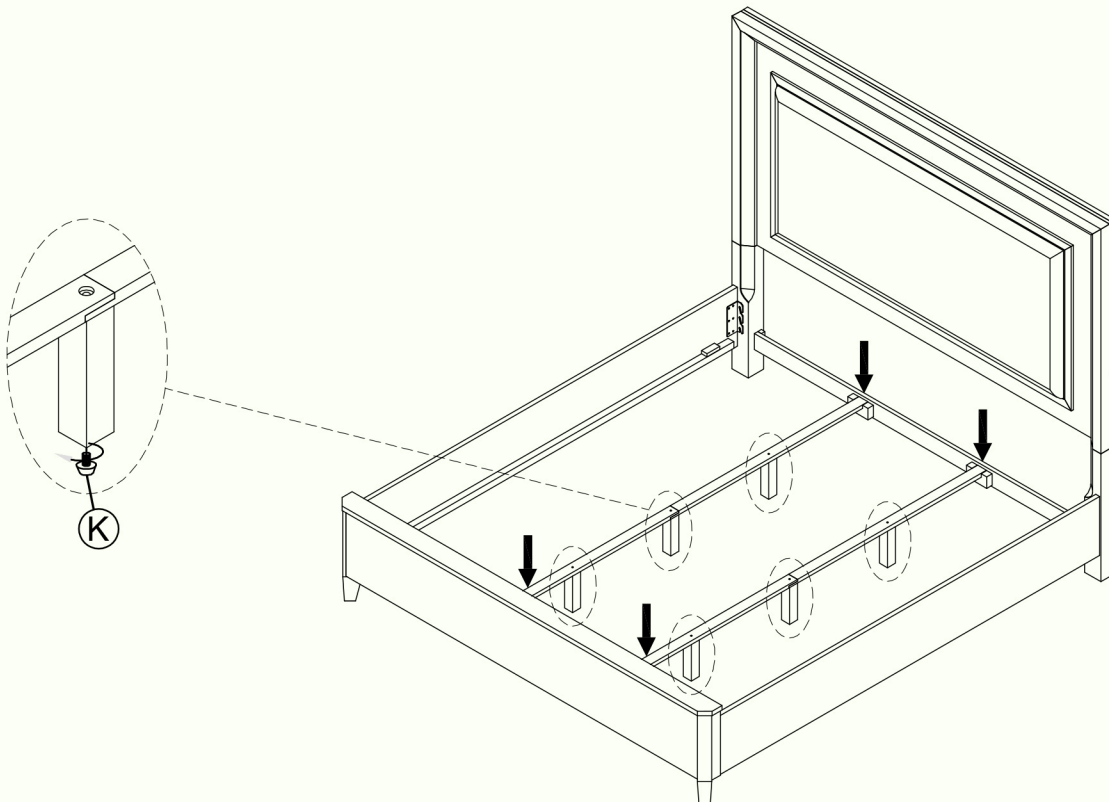
Attach Support Legs (G) to Center Support Slats (H), using Flat Washer (H6) , Spring Washer (H7) and Bolt (H8) , tighten with Allen key (H9)



H6		Flat Washer Ø5/16" x 19mm	6Pcs
H7		Spring Washer Ø5/16"	6Pcs
H8		Bolt Ø5/16" x 1-1/4"	6Pcs
H9		Allen key 4mm	1Pc

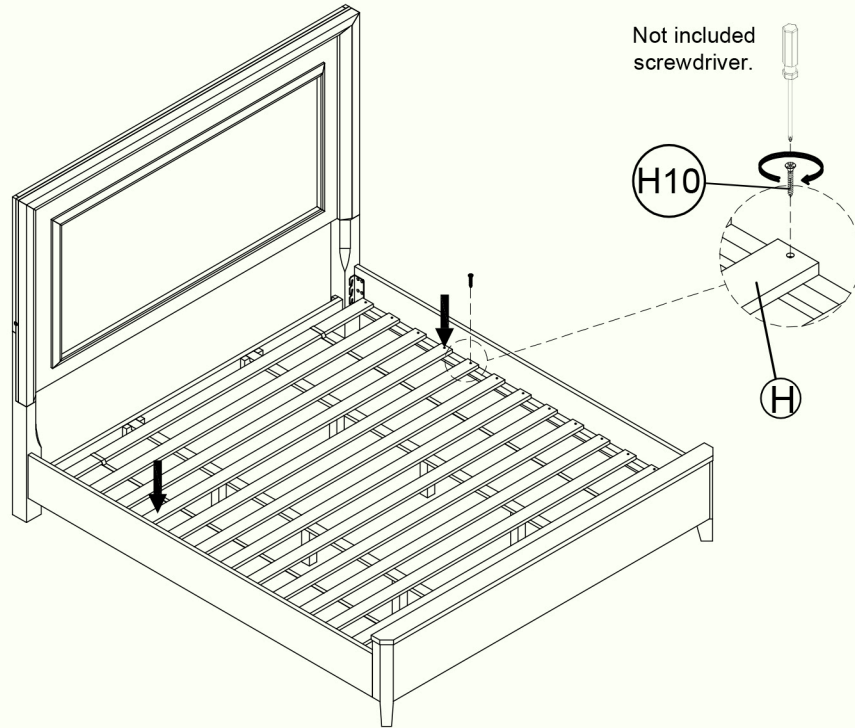
## Step 6


Place support Slats into slot on Headboard stretcher and Footboard Panel



## Step 7

Open rolled Slats (H) and place on top of Center Support Slats . Secure Slats using screws (H10).



H10		Wood Screw #8 x 1-3/16"	26Pcs
-----	---	-------------------------	-------

## Step 8

Complete bed

