

MODEL : SMIL-912GS

**ASSEMBLY INSTRUCTIONS
NOTICE DE MONTAGE**

Please keep these instructions and have the product model # and part # available when requesting a service.

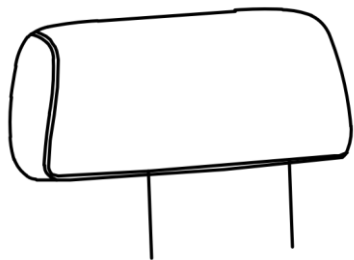


IMPORTANT NOTE

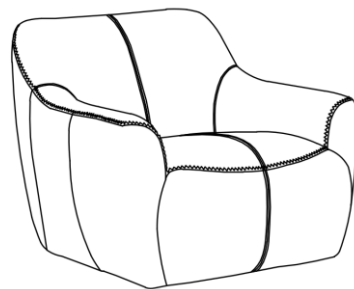
Do not use a power tool to assemble this product as it could damage the thread of the hardware and affect the solidity/durability of the product.

MADE IN VIET NAM

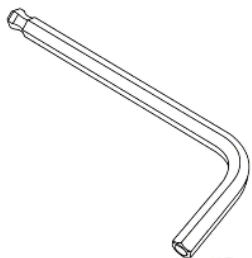
A×1



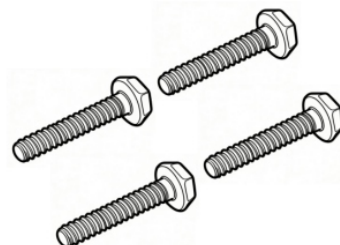
B×1



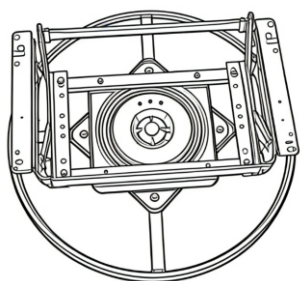
C×1



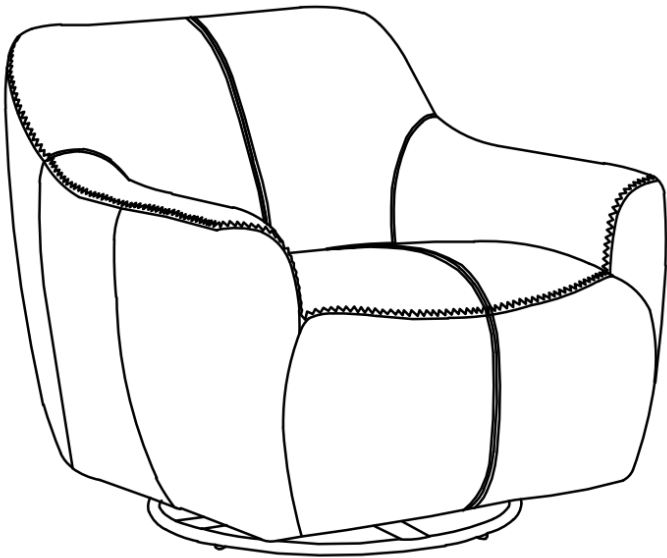
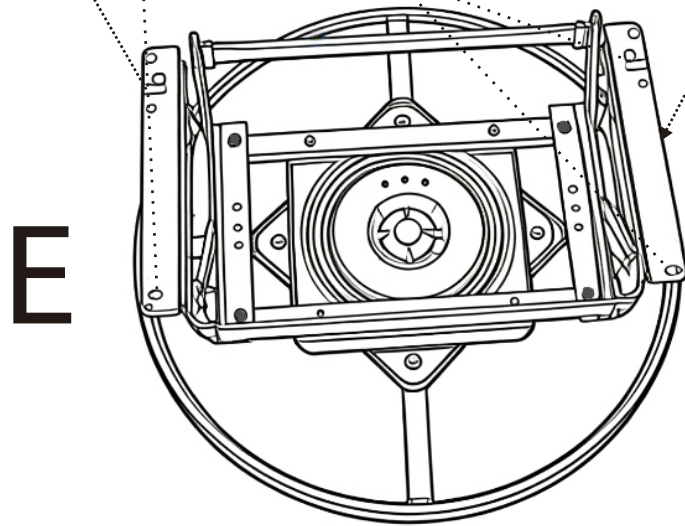
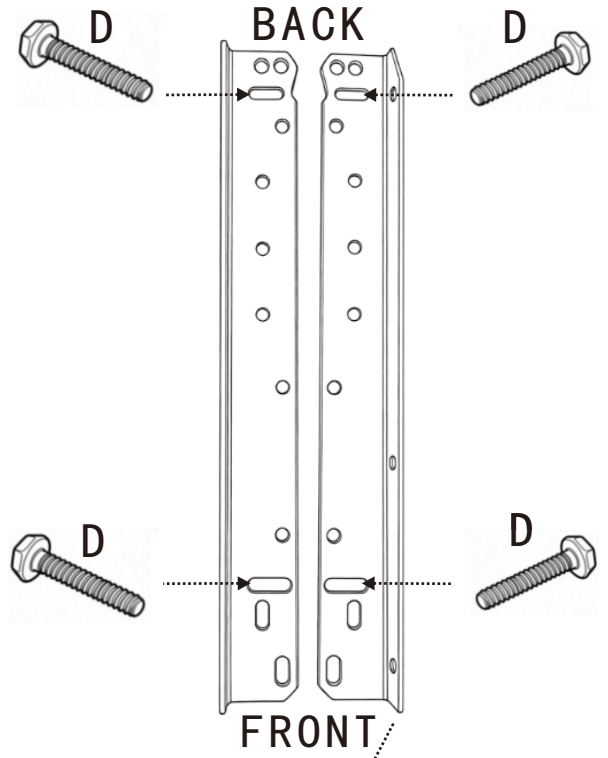
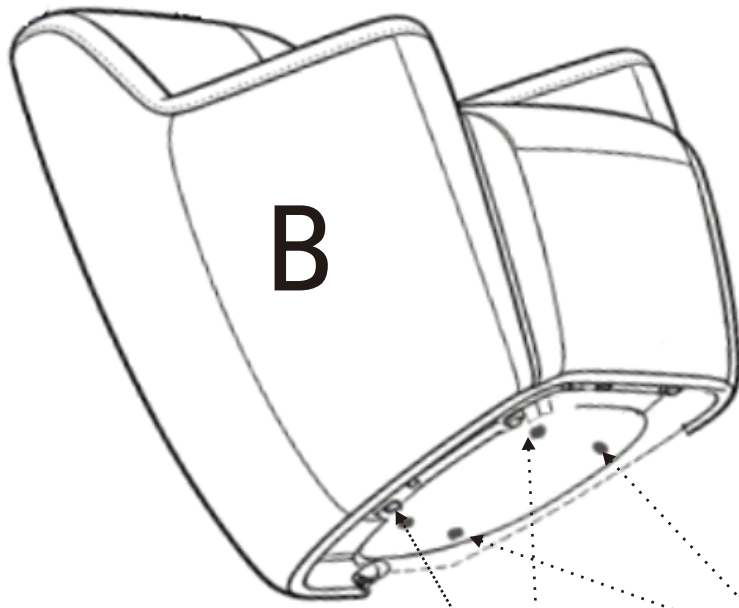
D×4



E×1

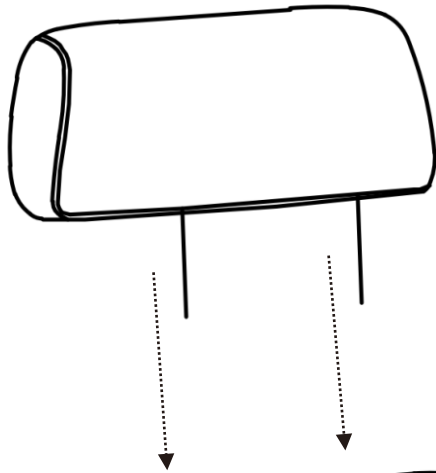


STEP 1

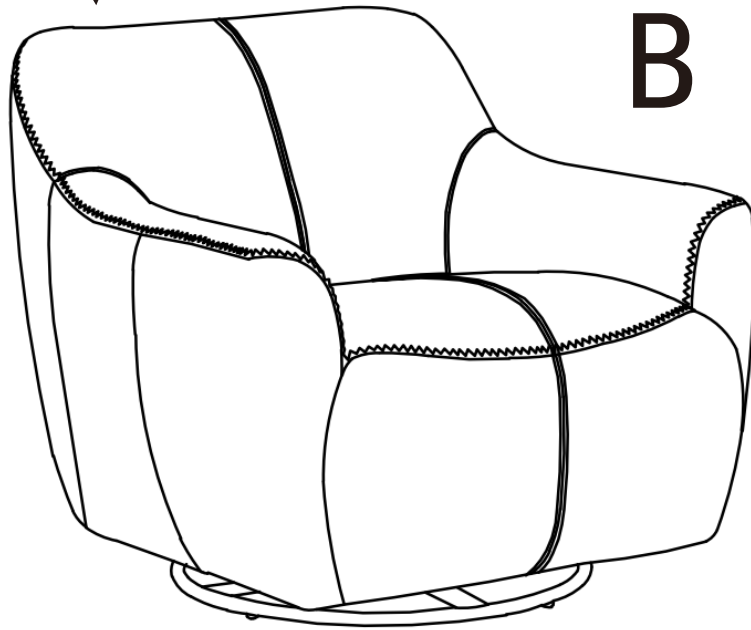


MADE IN VIET NAM

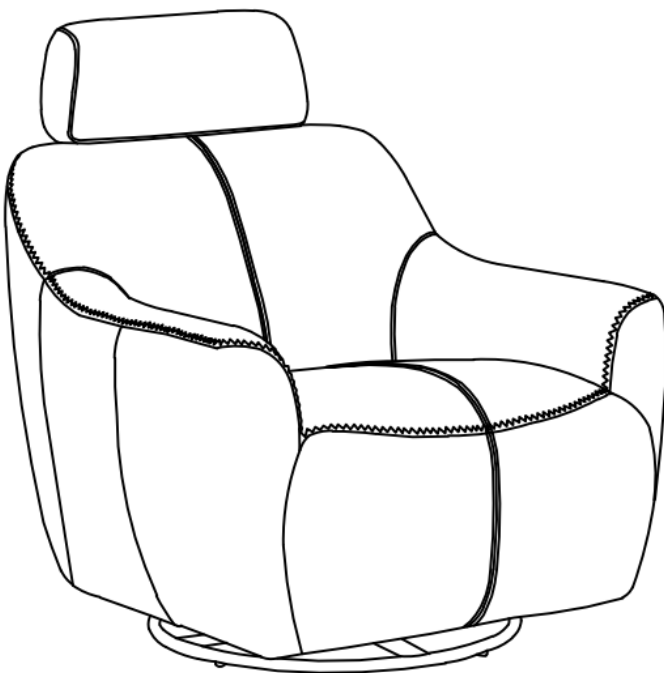
STEP 2



A



B



MADE IN VIET NAM