



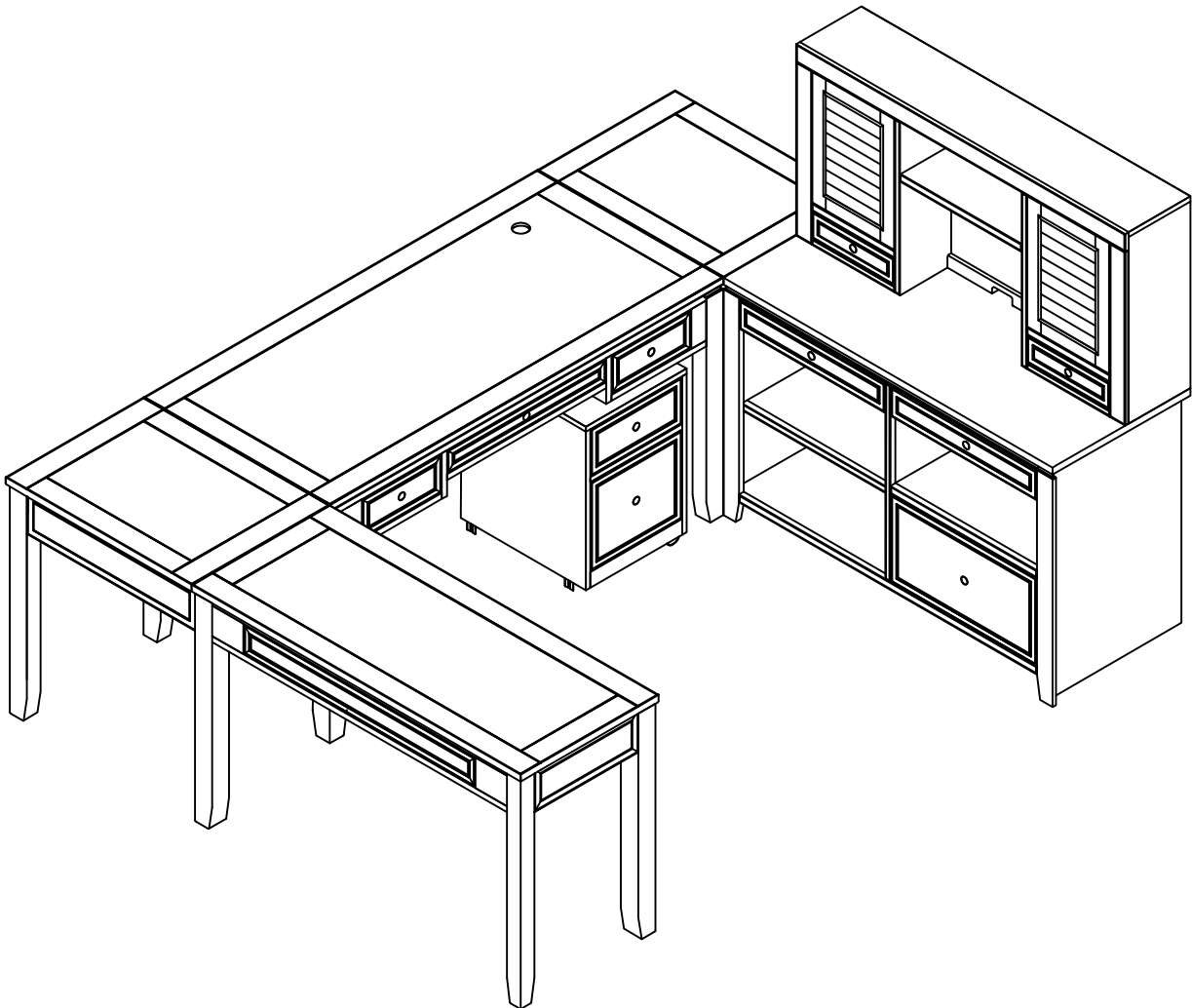
Parker House
FURNITURE

Assembly Instruction

Item No: BOC-357D

Description : DESK

Rev 2 :2021-11-05





Parker House
FURNITURE

Assembly Instruction

Item No: BOC-357D

Description : DESK

Rev 2 :2021-11-05

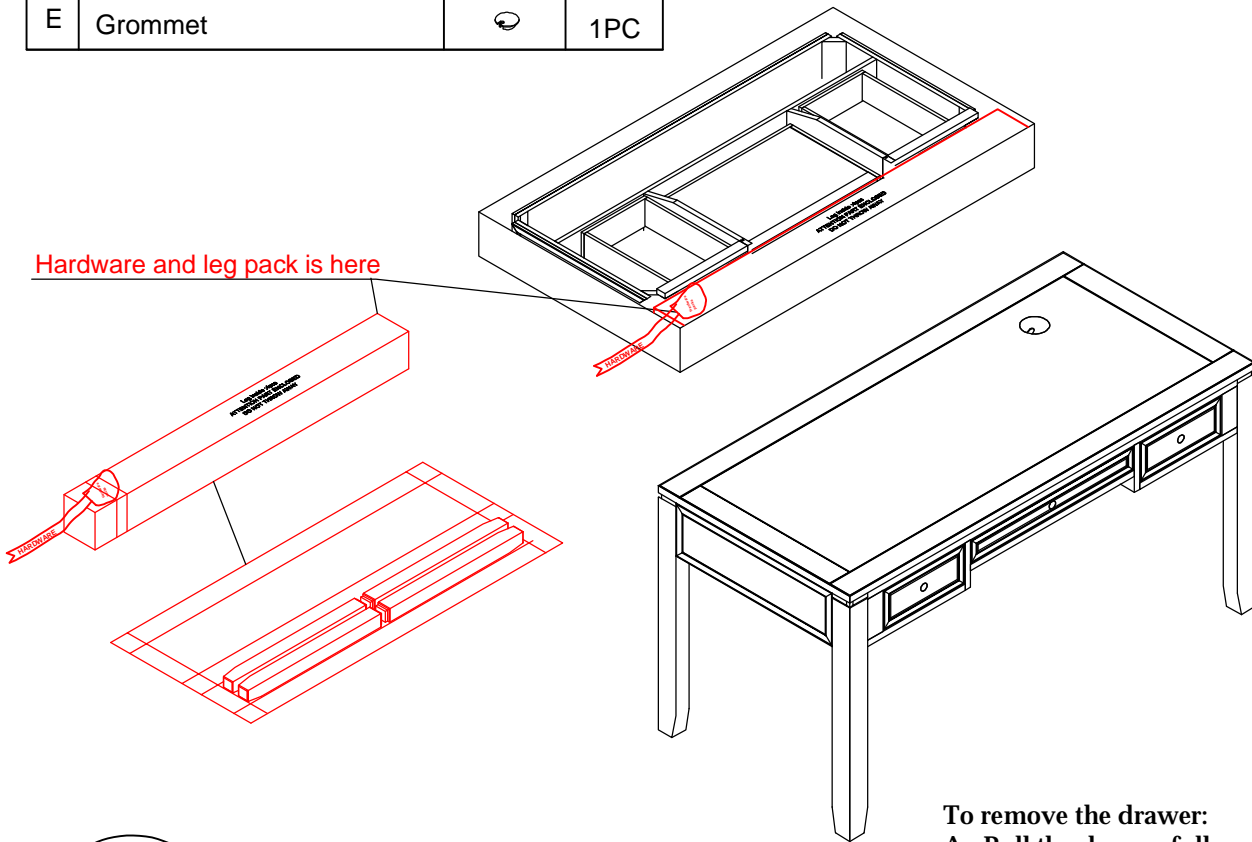
HARDWARE LIST

| No | Description | Sketch | Q'TY |
|----|-------------------------|--------|------|
| A | Allen wrench 5mm | | 1PC |
| B | Bolt Ø 5/16"x2-1/2" | | 8PCS |
| C | Lock washer Ø5/16"x12mm | | 8PCS |
| D | Flat washer Ø5/16"x19mm | | 8PCS |
| E | Grommet | | 1PC |

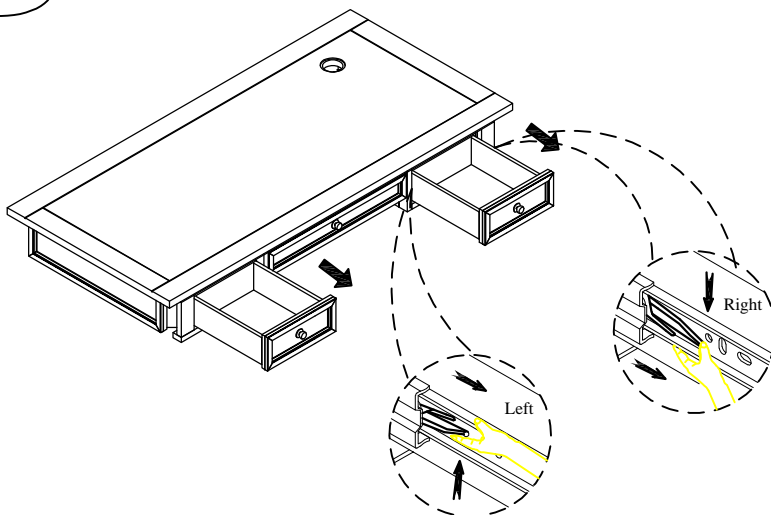
PARTS LIST

| TABLE TOP (1PC) | LEG (4PCS) |
|-----------------|------------|
| ① | ② |

Hardware and leg pack is here



STEP 1



To remove the drawer:

- A. Pull the drawer fully open so the black lever is visible in the inside channel of the guides.
- B. Push 'down' on the right lever and 'up' on the left lever. While holding levers in place, pull drawer forward until slides release. If the slides will not release, push both levers in opposite directions.



Parker House
FURNITURE

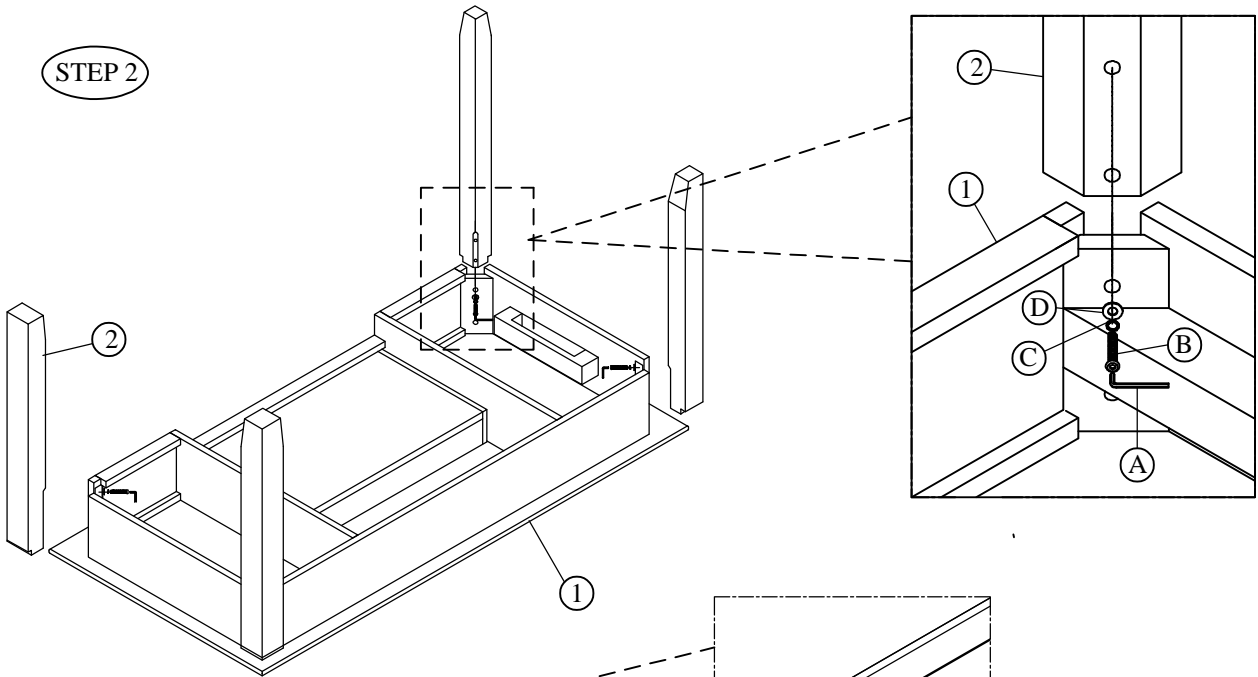
Assembly Instruction

Item No: BOC-357D

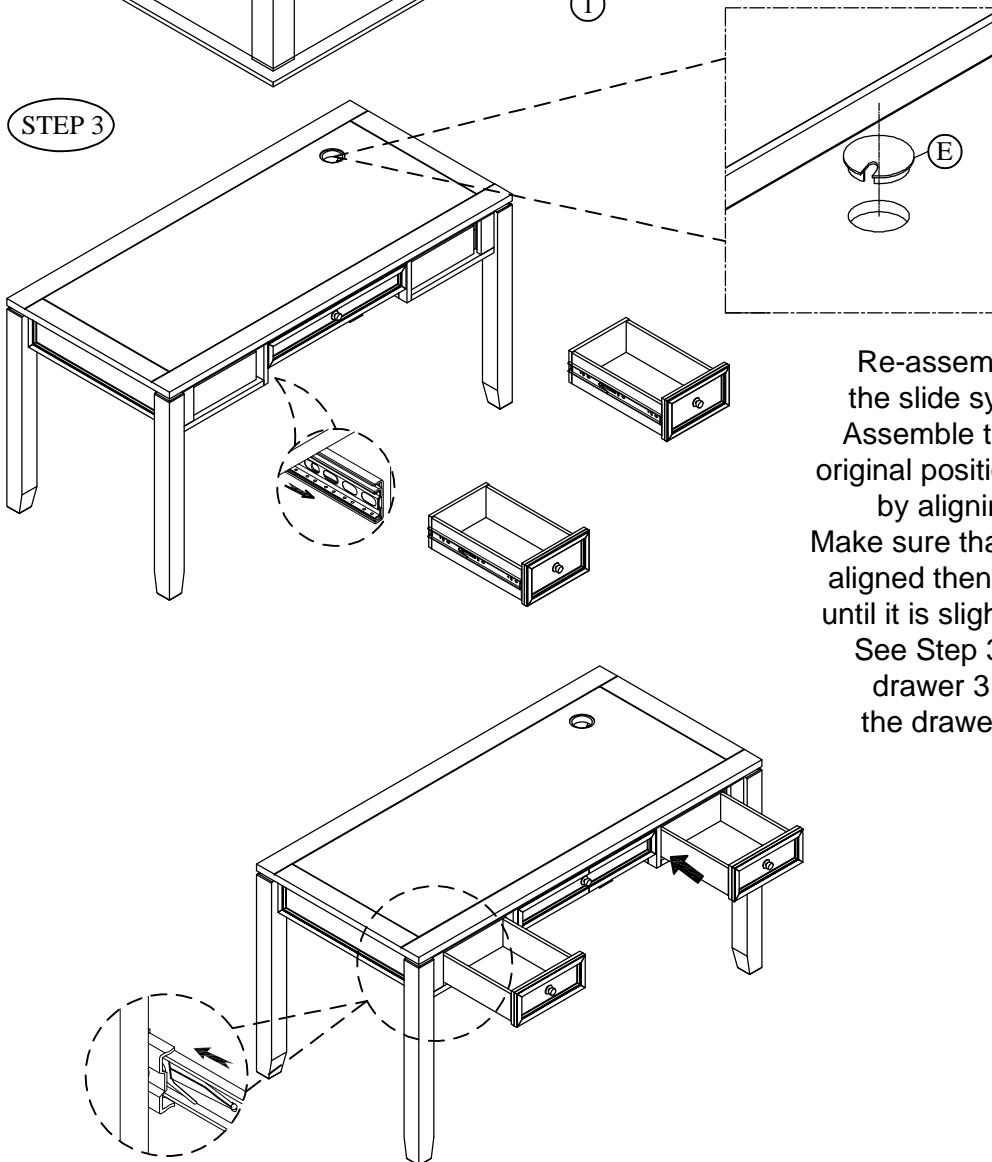
Description : DESK

Rev 2 :2021-11-05

STEP 2



STEP 3



Re-assemble the drawers onto the slide system of the desk top. Assemble the drawer back into its original position of the Top Frame (1) by aligning the metal glides. Make sure that both sides are properly aligned then gently push the drawer until it is slightly stopped by the slide. See Step 3. Open and close the drawer 3 times to make sure the drawer operates smoothly.