



**Parker House**  
FURNITURE

# Assembly Instruction

Item No: BOC-272

Description : CORNER TABLE

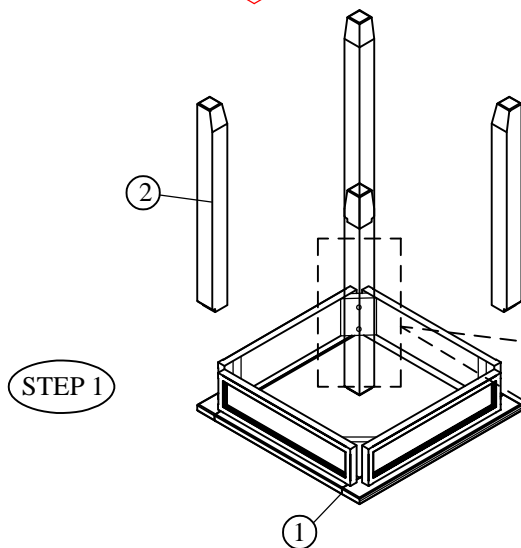
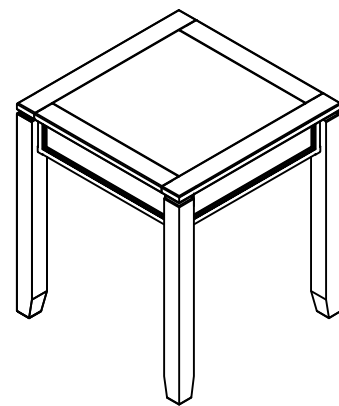
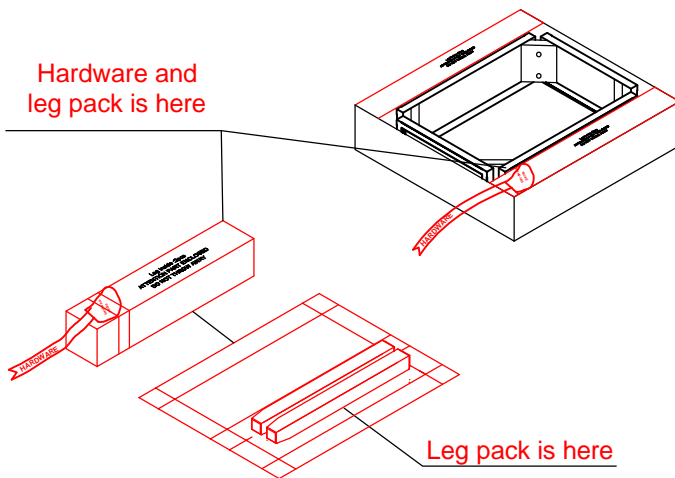
Rev 2 :2021-11-05

## HARDWARE LIST

No	Description	Sketch	Q'TY
A	Allen wrench 5mm		1PC
B	Bolt Ø 5/16"x2"		8PCS
C	Lock washer Ø5/16"x12mm		8PCS
D	Flat washer Ø5/16"x19mm		8PCS

## PARTS LIST

TABLE TOP (1PC)	LEG (4PCS)
①	②



Attach the legs to the top with bolts B, spring washers D, flat washers C using allen wrench A as shown diagram .

