



# Assembly Instructions

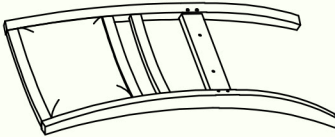
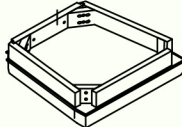


## Item No: DBRE - 2218 Upholstered Dining Chair

### BEFORE ASSEMBLY







Thank you for purchasing this quality product. This product has been designed for easy assembly and constructed for durability. Please take the time to read and follow the assembly instructions carefully.

### Part List

When unpacking, please be careful not to discard any parts with the packaging. Before continuing, please make sure you have the following parts:

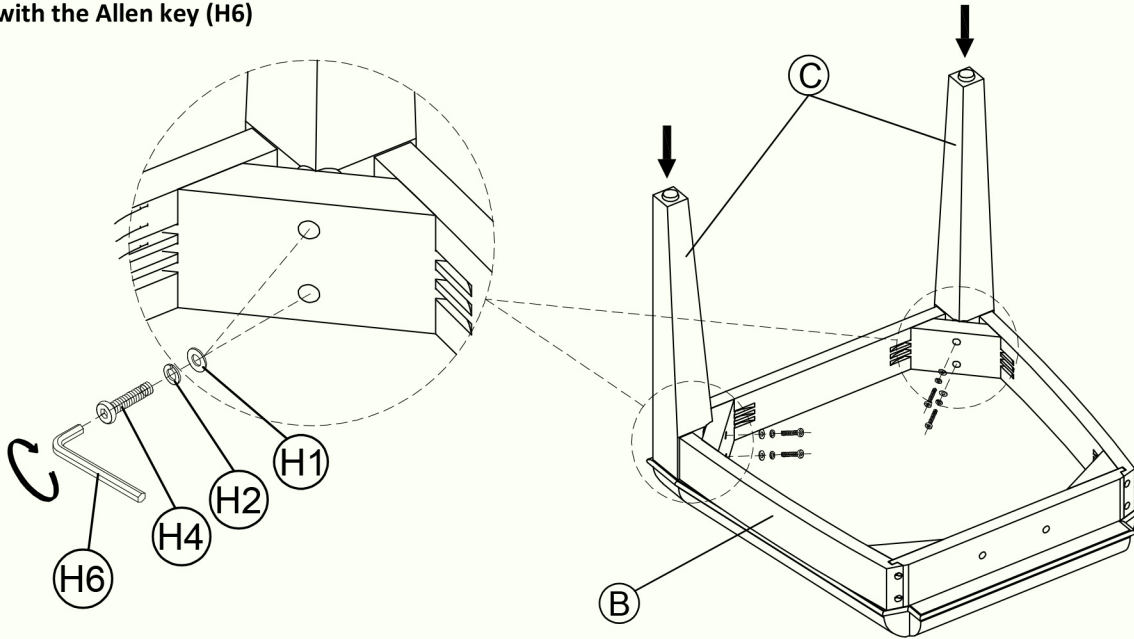
PARTS LIST	
<b>(A)</b> 	<b>(B)</b> 
CHAIR BACK: 1PC	SEAT FRAME: 1PC
<b>(C)</b> 	<b>(D)</b> 
FRONT LEG: 2PCS	LEVELER :4PCS





### HARDWARE LIST

NO.	DRAWING	DES.	
H1		Flat Washer Ø5/16" x 19mm	10Pcs
H2		Spring Washer Ø5/16"	10Pcs
H3		Bolt Ø5/16" x 3-1/4"	4Pcs
H4		Bolt Ø5/16" x 2-3/8"	4Pcs
H5		Bolt Ø5/16" x 1-1/2"	2Pcs
H6		Allen key 4mm	1Pc

## Step 1

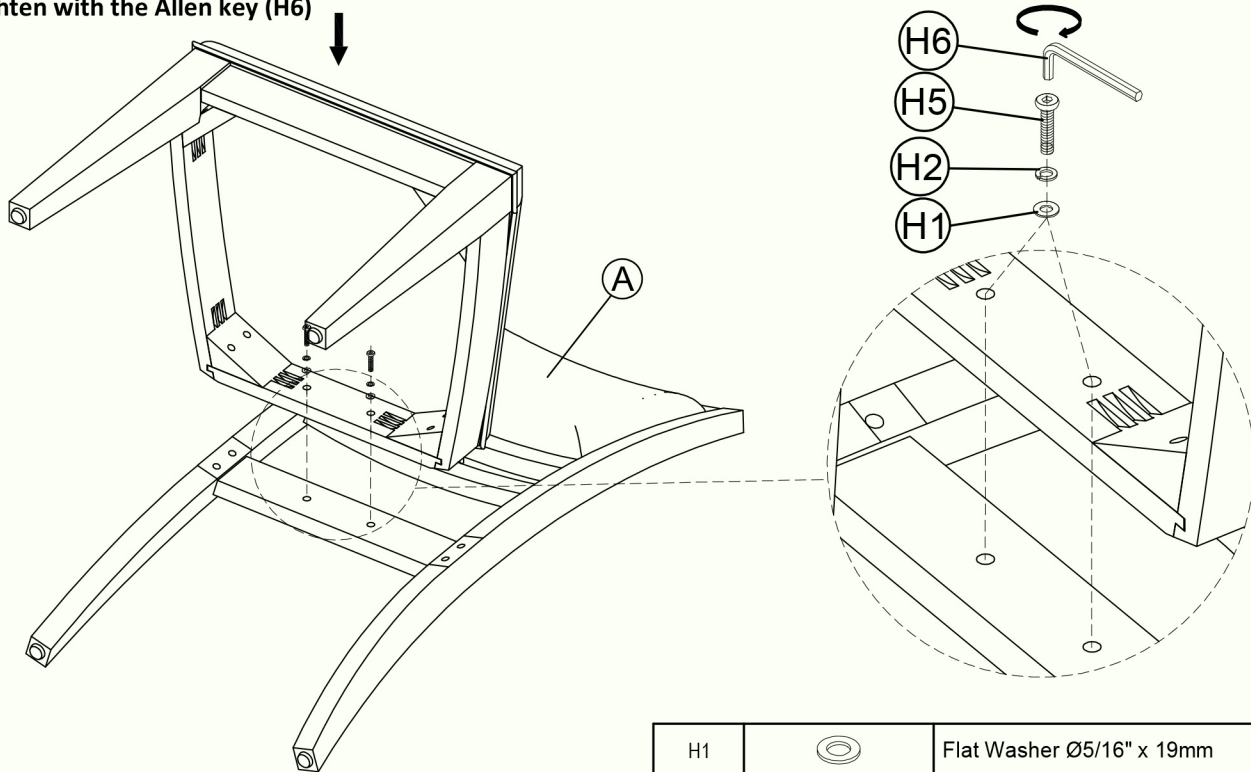
Attach Front leg (C) to Seat frame (B) using Flat Washer (H1) , Spring Washer (H2) and Bolt (H4) , tighten with the Allen key (H6)



H1		Flat Washer Ø5/16" x 19mm	4Pcs
H2		Spring Washer Ø5/16"	4Pcs
H4		Bolt Ø5/16" x 2-3/8"	4Pcs
H6		Allen key 4mm	1Pc

## Step 2

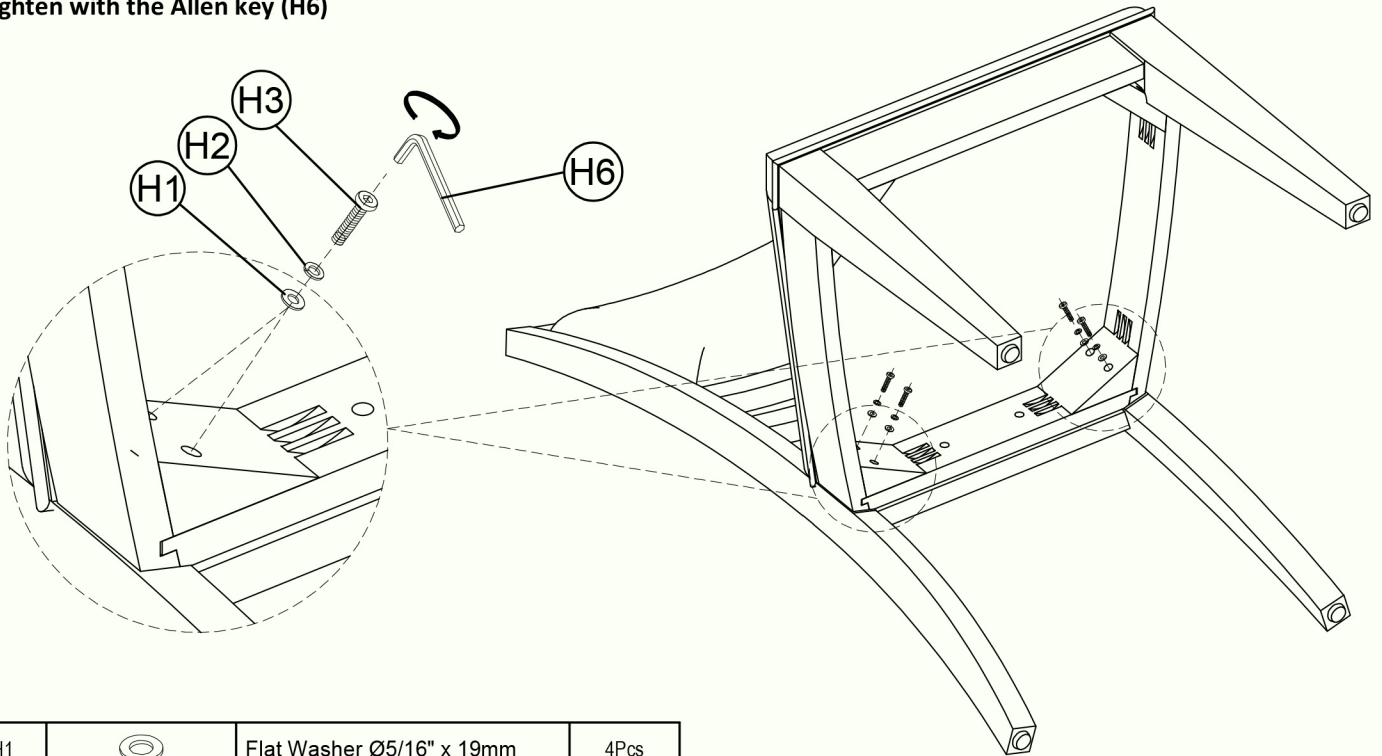
Attach Chair back (A) to Seat frame (B) using Flat Washer (H1) , Spring Washer (H2) and Bolt (H5) , tighten with the Allen key (H6)







H1		Flat Washer Ø5/16" x 19mm	2Pcs
H2		Spring Washer Ø5/16"	2Pcs
H5		Bolt Ø5/16" x 1-1/2"	2Pcs
H6		Allen key 4mm	1Pc

### Step 3

Attach Chair back (A) to Seat frame (B) using Flat Washer (H1) , Spring Washer (H2) and Bolt (H3) , tighten with the Allen key (H6)



H1		Flat Washer Ø5/16" x 19mm	4Pcs
H2		Spring Washer Ø5/16"	4Pcs
H3		Bolt Ø5/16" x 3-1/4"	4Pcs
H6		Allen key 4mm	1Pc

### Step 4

Complete the chair

