



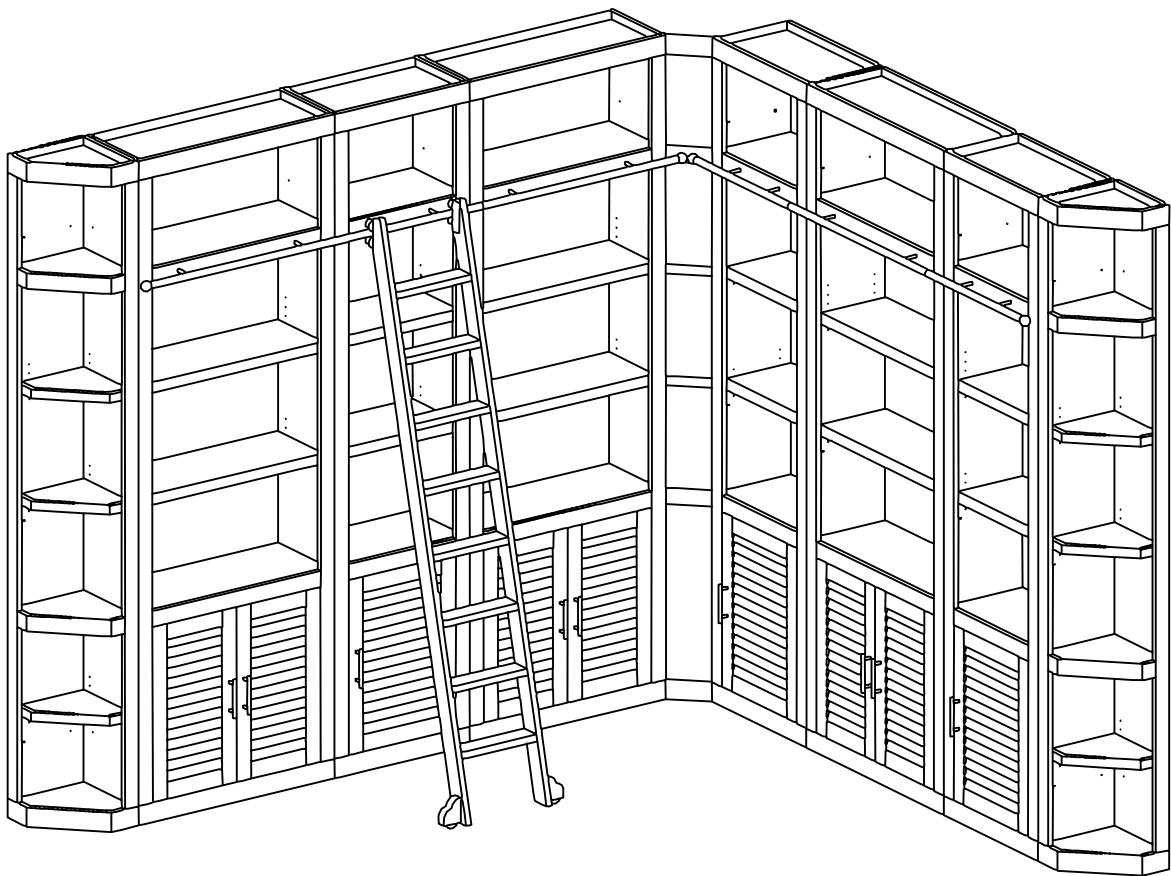
Parker House
FURNITURE

Assembly Instruction

Item No: CAT#456

Description : INSIDE CORNER FILLER PANEL

Rev 2 :2021-11-11





Parker House
FURNITURE

Assembly Instruction

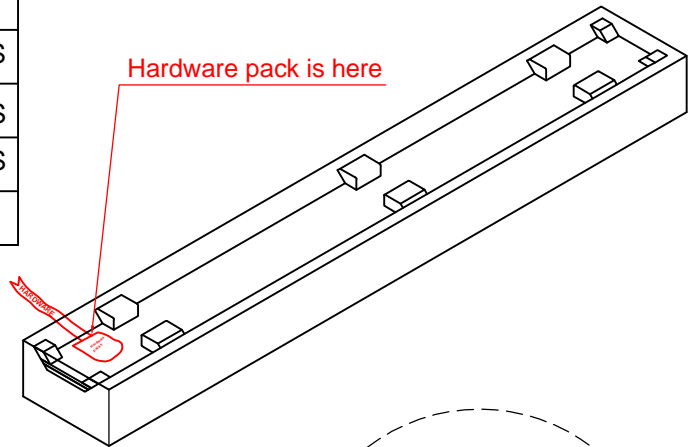
Item No: CAT#456

Description : INSIDE CORNER FILLER PANEL

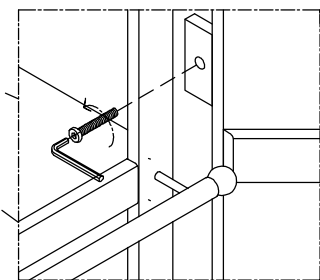
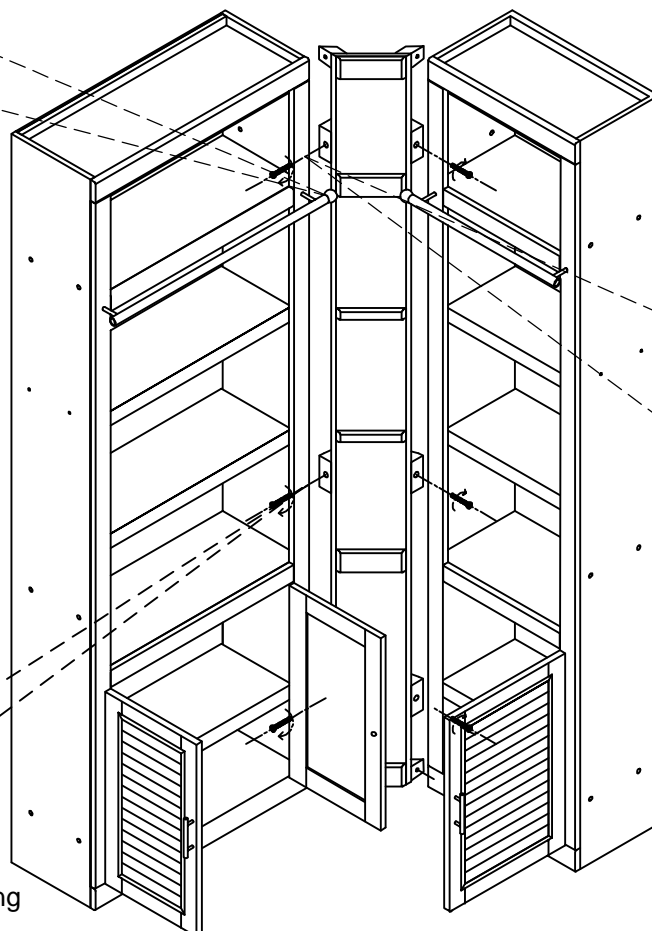
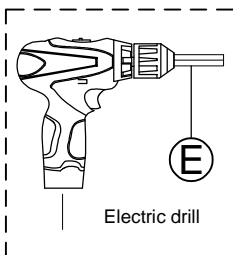
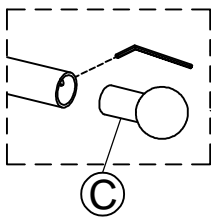
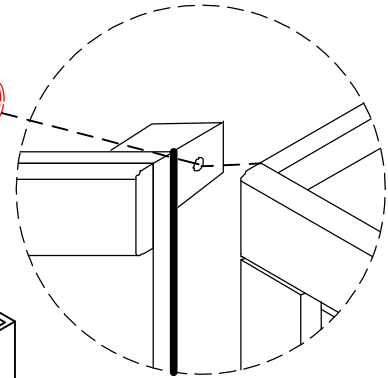
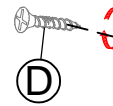
Rev 2 :2021-11-11

HARDWARE LIST

No	Description	Sketch	Q'TY
A	Allen wrench 4mm		1PC
B	Bolt Ø 1/4"x1-3/4" (Ø16mm)		6PCS
C	Metal ball		2PCS
D	Screw Ø4x1"		4PCS
E	Allen wrench 4mm		1PC



If setting up an end piece, use allen wrench to loosen retaining screw found on each rail end, secure ladder rail finial (C) to ladder rail end to complete finished look.



Corner filler must be fully attached to one bookcase and placed in its final position before being secured to a second bookcase.

Remove the wood plugs before connecting the cabinets together.