



Assembly Instruction






Item No: DLOD#2526S

Parker House
FURNITURE


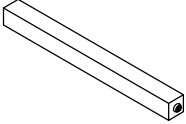
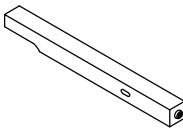
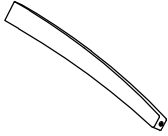
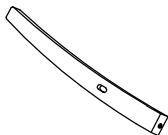
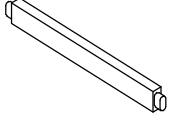
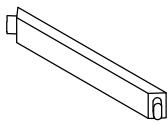
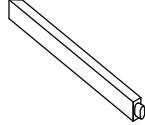
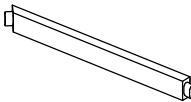
Description : SWIVEL COUNTER SLING CHAIR (2/CTN SOLD IN PAIRS)

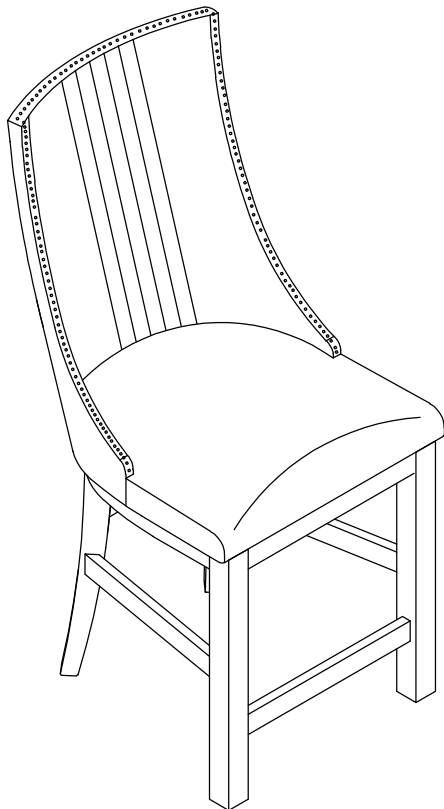
2022-04-05

HARDWARE LIST (X2)

No	Description	Sketch	Q'TY
A	Allen Wrench 4mm		1PC
B	Bolt Ø1/4x50mm		8PCS
C	Lock Washer Ø1/4x12mm		8PCS
D	Flat Washer Ø1/4x19mm		8PCS
E	Screw #4x38mm		8PCS

PARTS LIST (X2)

①		BACK FRAME (1PC)	②		LEFT FRONT LEG (1PC)
③		RIGHT FRONT LEG (1PC)	④		LEFT BACK LEG (1PC)
⑤		RIGHT BACK LEG (1PC)	⑥		FRONT STRETCHER (1PC)
⑦		BACK STRETCHER (1PC)	⑧		LEFT STRETCHER (1PC)
⑨		RIGHT STRETCHER (1PC)			





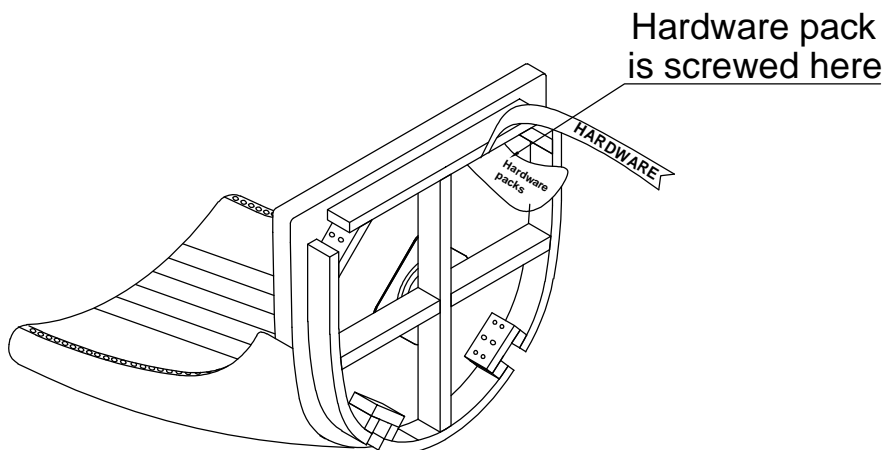
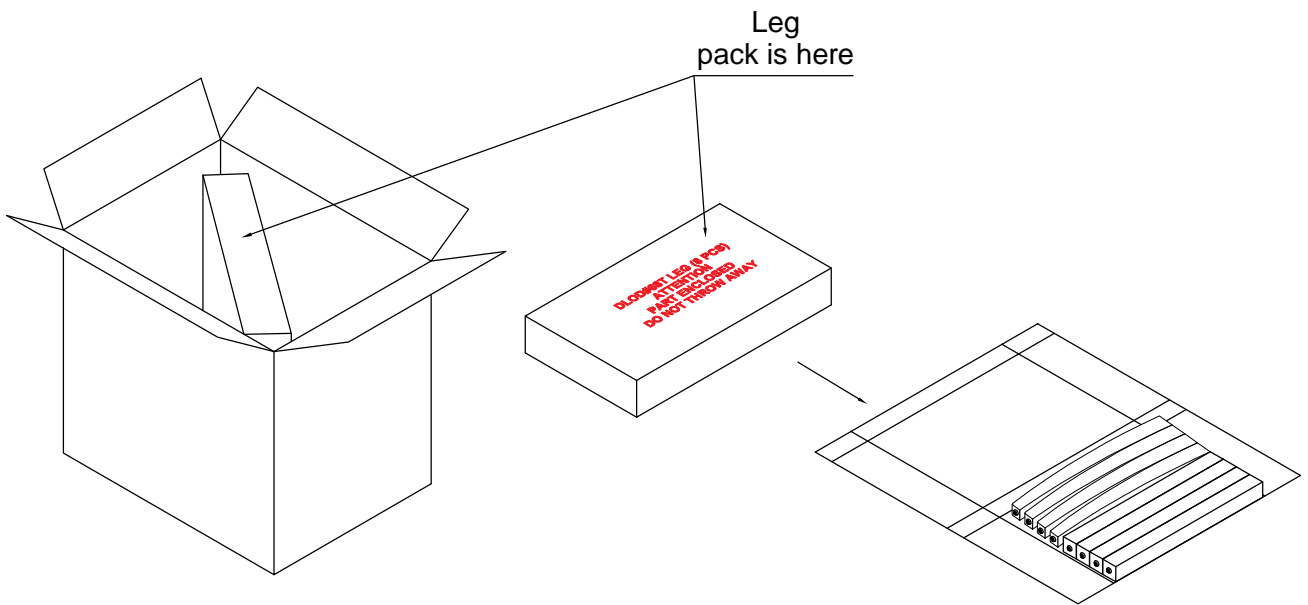
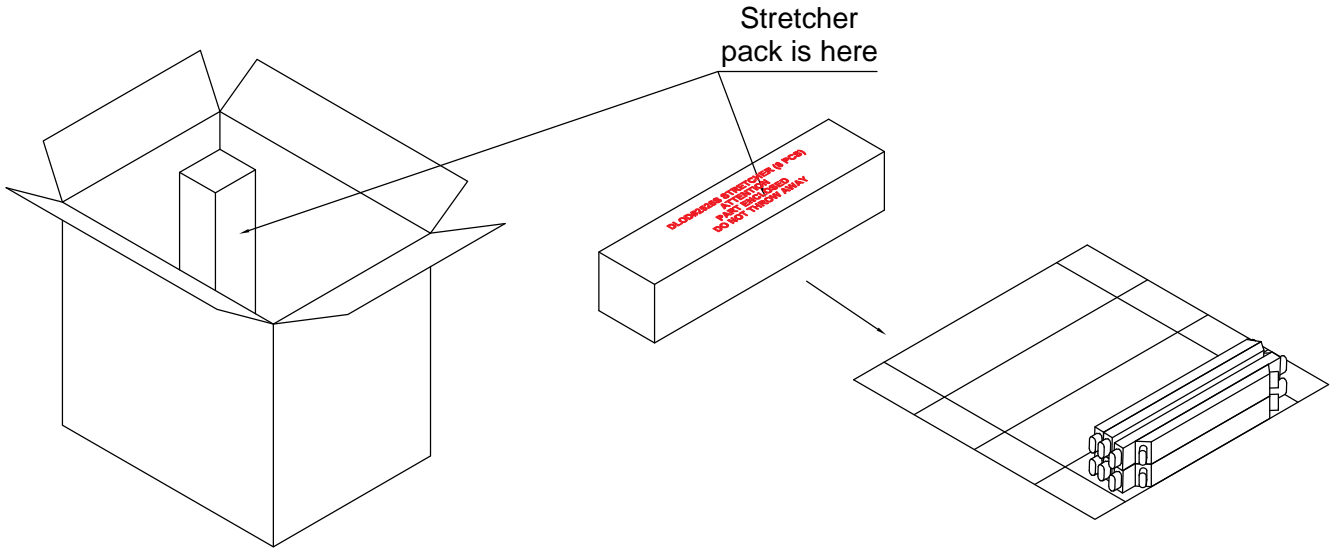
Parker House
FURNITURE

Assembly Instruction

Item No: DLOD#2526S

Description : SWIVEL COUNTER SLING CHAIR (2/CTN SOLD IN PAIRS)

2022-04-05





Parker House
FURNITURE

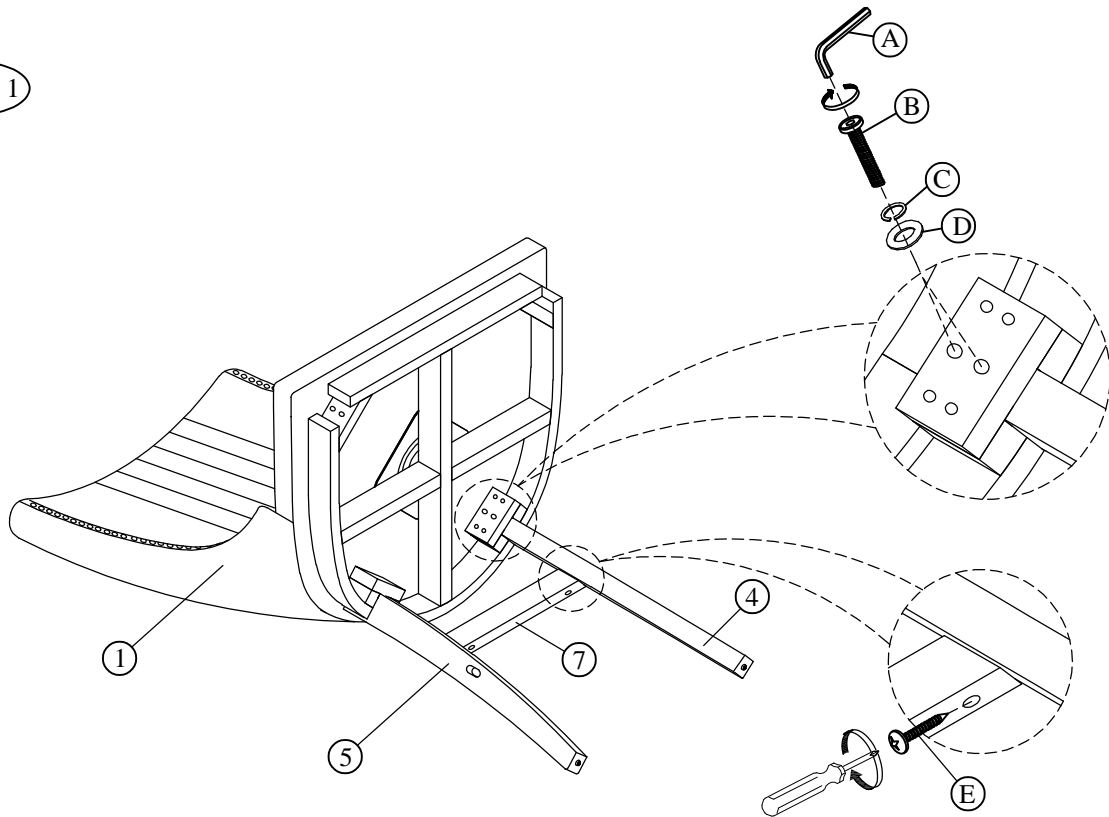
Assembly Instruction

Item No: DLOD#2526S

Description : SWIVEL COUNTER SLING CHAIR (2/CTN SOLD IN PAIRS)

2022-04-05

STEP 1



STEP 2

